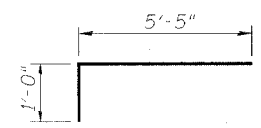


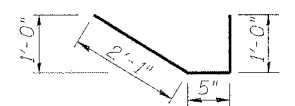
CROSS SECTION
(Looking East)

**SUPERSTRUCTURE
BILL OF MATERIAL**

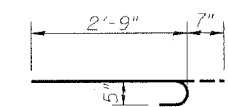
BAR NO.	SIZE	LENGTH	SHAPE	
a(E)	1685	#5	35'-6"	
a ₁ (E)	1240	#5	35'-8"	
a ₂ (E)	1684	#6	6'-5"	
a ₃ (E)	1684	#5	3'-6"	
a ₄ (E)	4	#5	37'-11"	
b(E)	444	#5	35'-11"	
b ₁ (E)	216	#6	29'-0"	
b ₂ (E)	520	#5	33'-4"	
b ₃ (E)	444	#5	31'-7"	
b ₄ (E)	216	#6	25'-8"	
b ₅ (E)	520	#5	29'-4"	
x(E)	74	#5	3'-4"	
Reinforcement Bars, Epoxy Coated			Pound	214,290
Concrete Superstructure			Cu. Yd.	770.7
Bridge Deck Grooving			Sq. Yd.	3085
Protective Coat			Sq. Yd.	3331



BAR a₂(E)



BAR a₃(E)



BAR x(E)

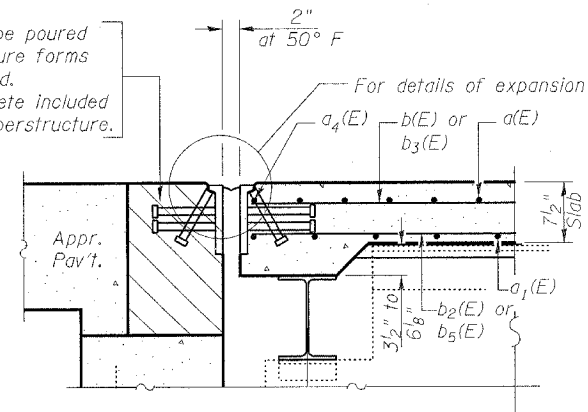
NOTES:

Reinforcement bars designated (E) shall be epoxy coated.
Work this sheet with Sheet 6 of 25.

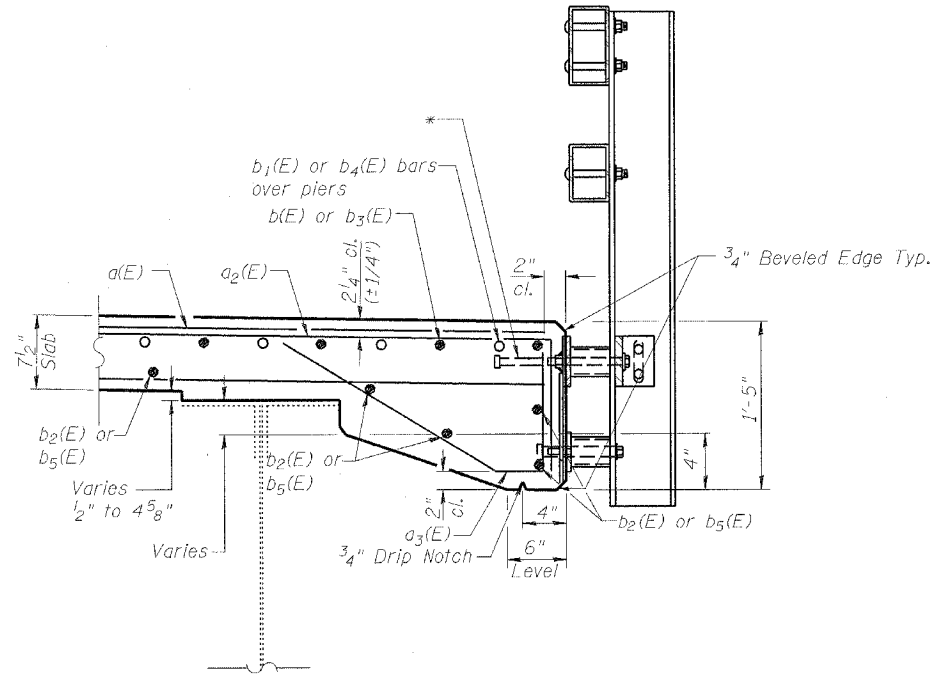
* Reinforcement bars in the top of the deck may be placed with 1/2 inch minimum clearance in the area of the rail post anchor devices. The studs of the anchor devices shall be placed below the top reinforcement bars and the outermost longitudinal reinforcement bar shall be placed directly above the studs of the rail post anchor device.

Protective Coat shall be applied to the entire deck surface including sides.

Hatched area to be poured after superstructure forms have been removed. Quantity of concrete included with Concrete Superstructure.



SECTION A-A
Dim's at Rt. L's



SECTION THRU EDGE OF SLAB