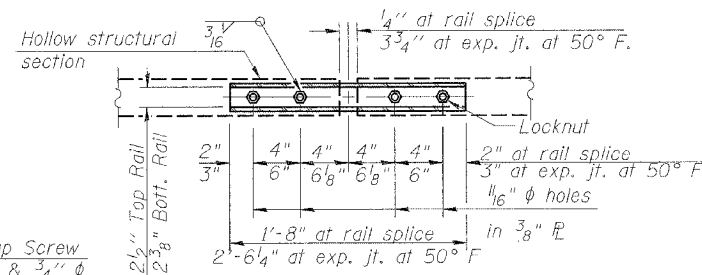
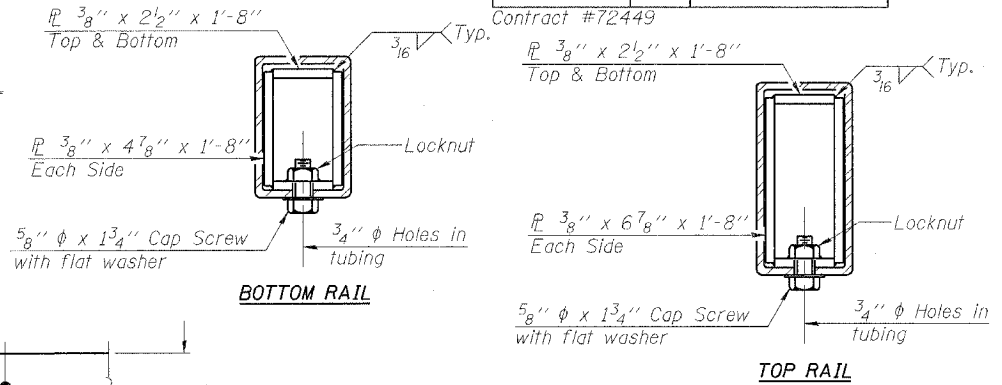


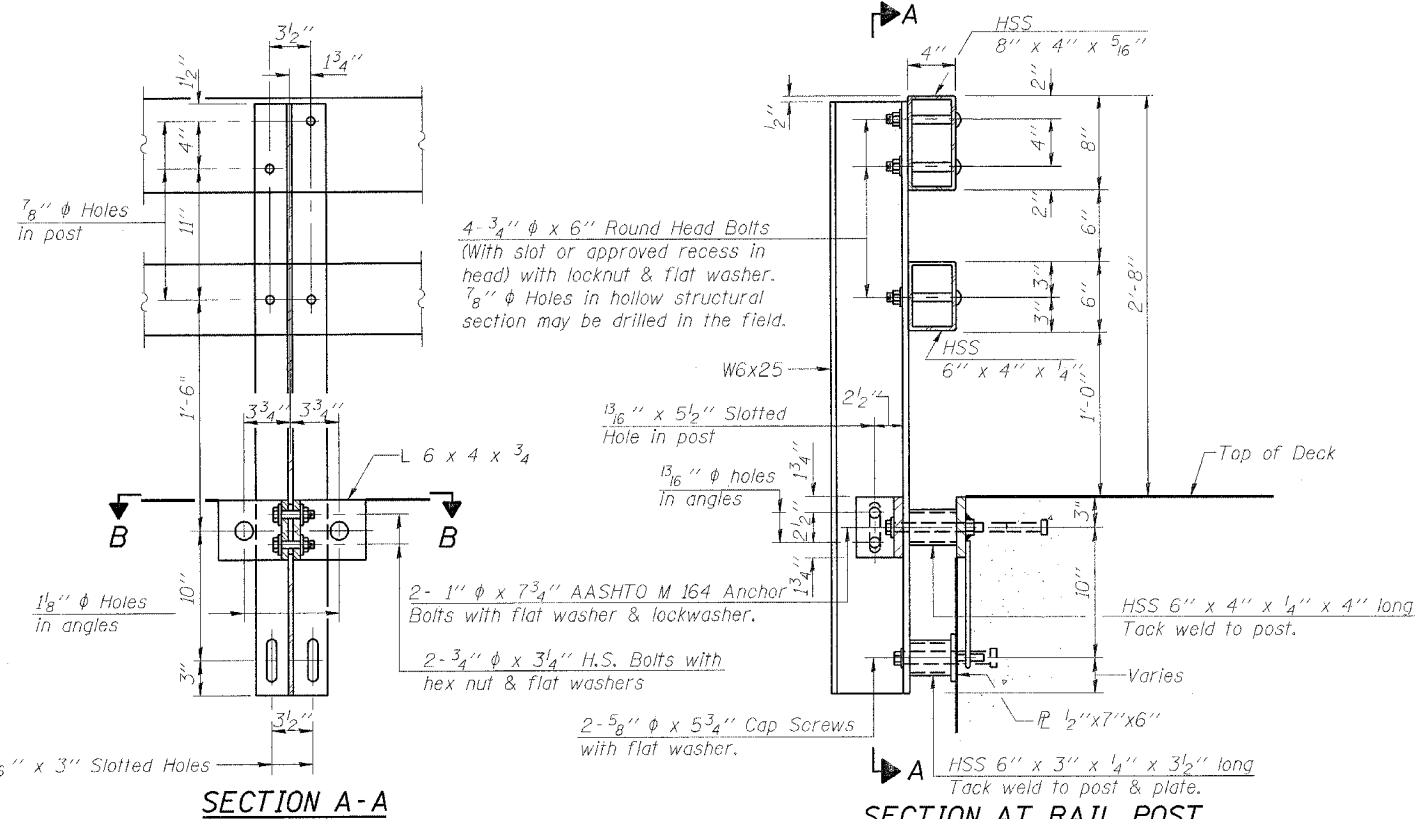
RAIL SPLICE CONNECTION AT EXPANSION JT.



PLAN-BOTT. SPLICE R TYPICAL

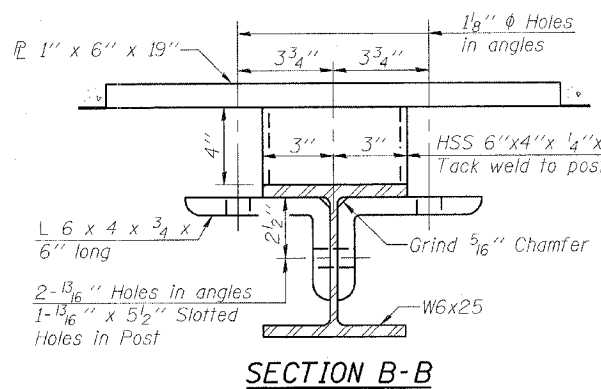


SECTIONS AT RAIL SPLICE

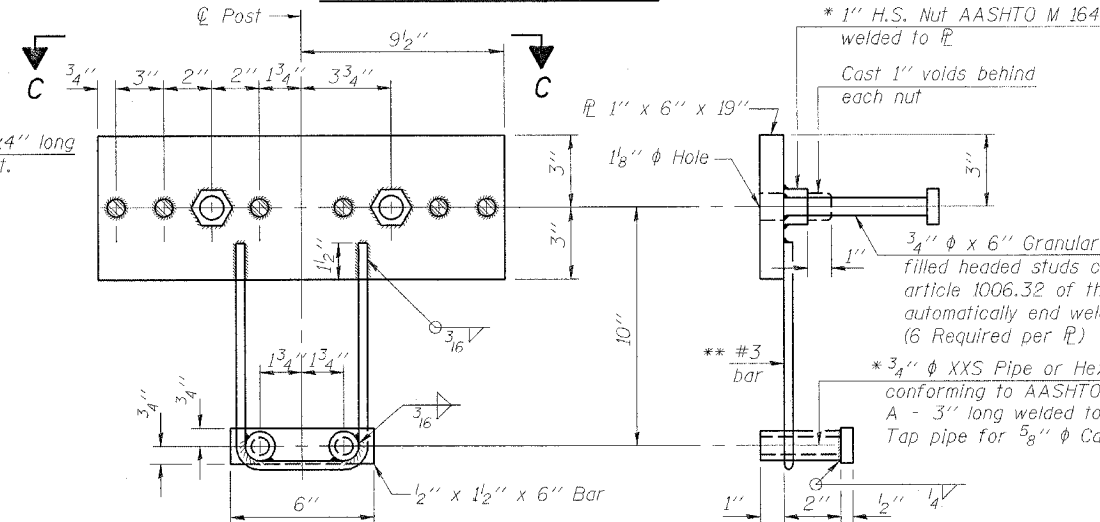


SECTION A-A

SECTION AT RAIL POST

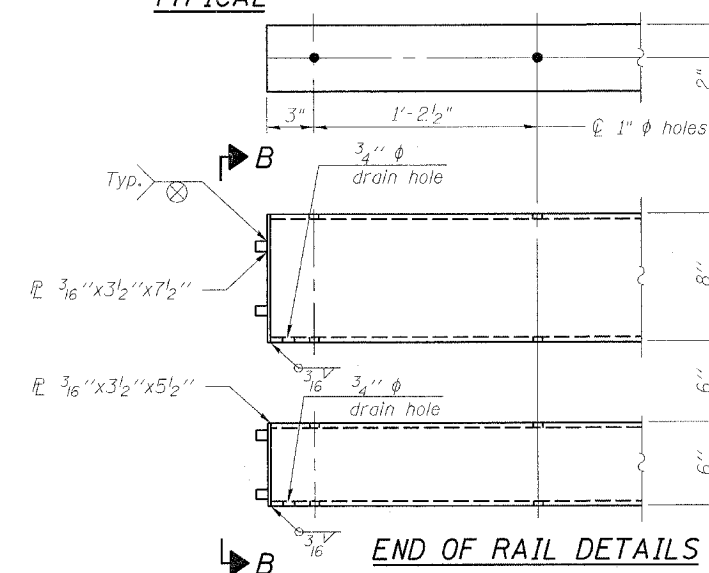


SECTION B-B

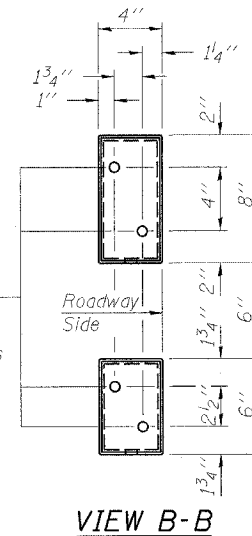


ANCHOR DEVICE

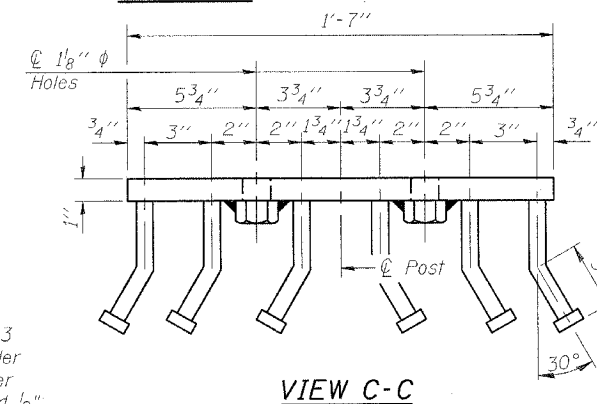
** Whenever the lower insert assemblies interfere with deck reinforcing the #3 bars shall be cut and adjusted in order allow raising and lowering of the lower inserts. Max adjustment not to exceed 1/2".



END OF RAIL DETAILS



VIEW B-B



VIEW C-C

NOTES

Hollow structural sections shall conform to the requirements of ASTM designation A 500 Grade B Structural Steel Tubing and shall meet the longitudinal CVN requirements of 15 ft-lbs at 0° F.
 All other steel shapes and plates shall conform to the requirements of AASHTO M 270 Grade 36 except posts and angles shall conform to AASHTO M 270, Grade 50.
 Bolts, cap screws, and nuts shall conform to the requirements of ASTM designation A 307 except for high strength bolts, nuts and washers noted which shall conform to AASHTO M 164.
 All bolts, nuts, cap screws, washers and lock washers shall be galvanized according to AASHTO M 232.
 All posts, railing, rail splices, anchor devices and angles shall be galvanized after shop fabrication according to AASHTO M 111 and ASTM A 385. Galvanized rail shall not be painted.
 Railing shall be according to Section 509 of the Standard Specifications, except as noted, and will be paid for at the contract unit price per foot for Steel Bridge Rail, Type SM.
 All field drilled holes shall be coated with an approved zinc rich paint before erection.
 For multi-span bridges, sufficient 1/4" x 6" x 1'-2" galvanized steel shims shall be provided to align rail between adjacent spans. Cost included with Steel Bridge Rail, Type SM.
 The 1/2" x 7" x 6" plates that come in contact with concrete shall receive two coats of asphalt paint conforming to Section 1060.07 Type II or place 1/8" fabric bearing pads between the plates and concrete.
 The 3/4" high strength bolts used to connect the 6 x 4 x 3/4 angles to the post shall be tightened according to Article 505.04(f)(2) of the Standard Specifications. The 1" high strength bolts connecting the angles to the concrete shall be tightened to a snug fit and given an additional 1/8 turn. The 5/8" cap screws in bottom of posts shall be tightened to a snug fit only.

BILL OF MATERIAL

ITEM	UNIT	QUANTITY
Steel Bridge Rail, Type SM	Foot	1552

ILLINOIS DEPARTMENT OF TRANSPORTATION

TYPE SM STEEL BRIDGE RAIL
 OLD U.S. ROUTE 36 OVER
 SANGAMON RIVER
 F.A.U. ROUTE 797B
 SECTION BR-1
 SANGAMON COUNTY
 STA. 70+00.00
 STRUCTURE NUMBER 084-0052

DATE: JAN. 2005

DRAWN BY: NJV
 CHECKED BY: PBB