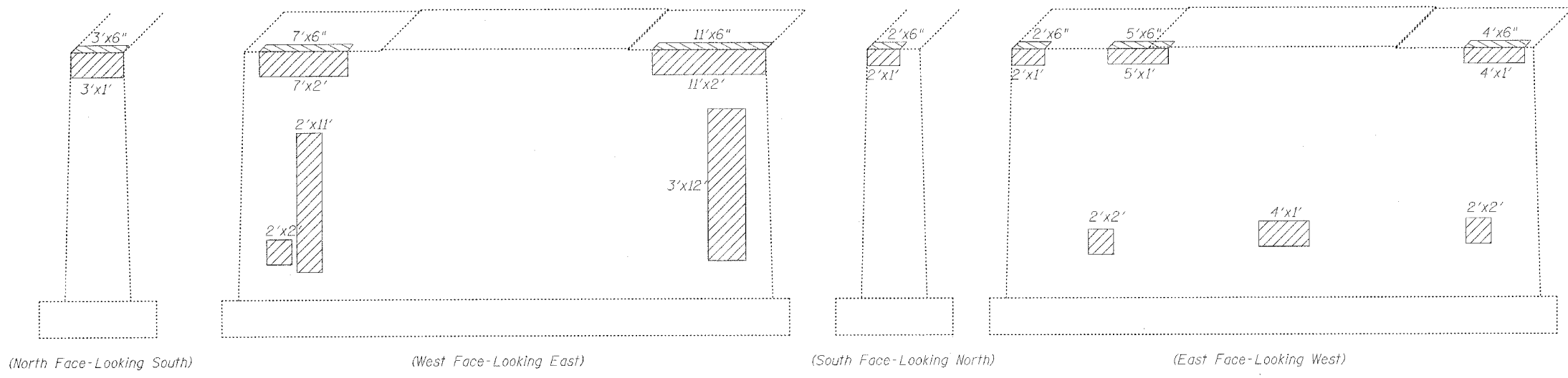


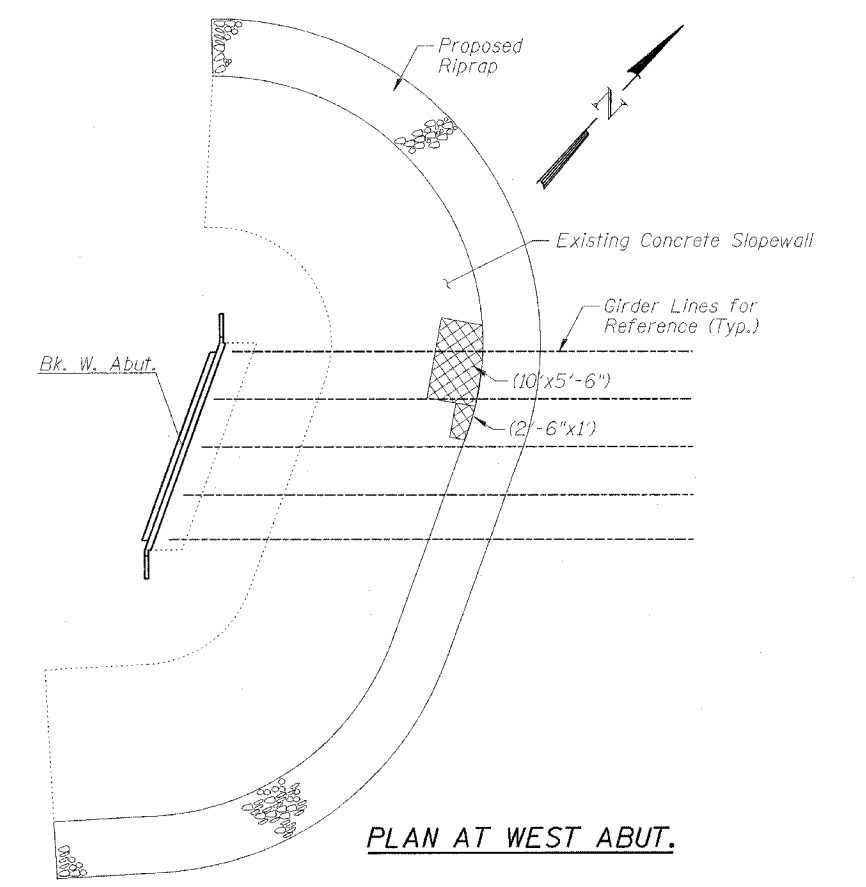
PIER 2 ELEVATION



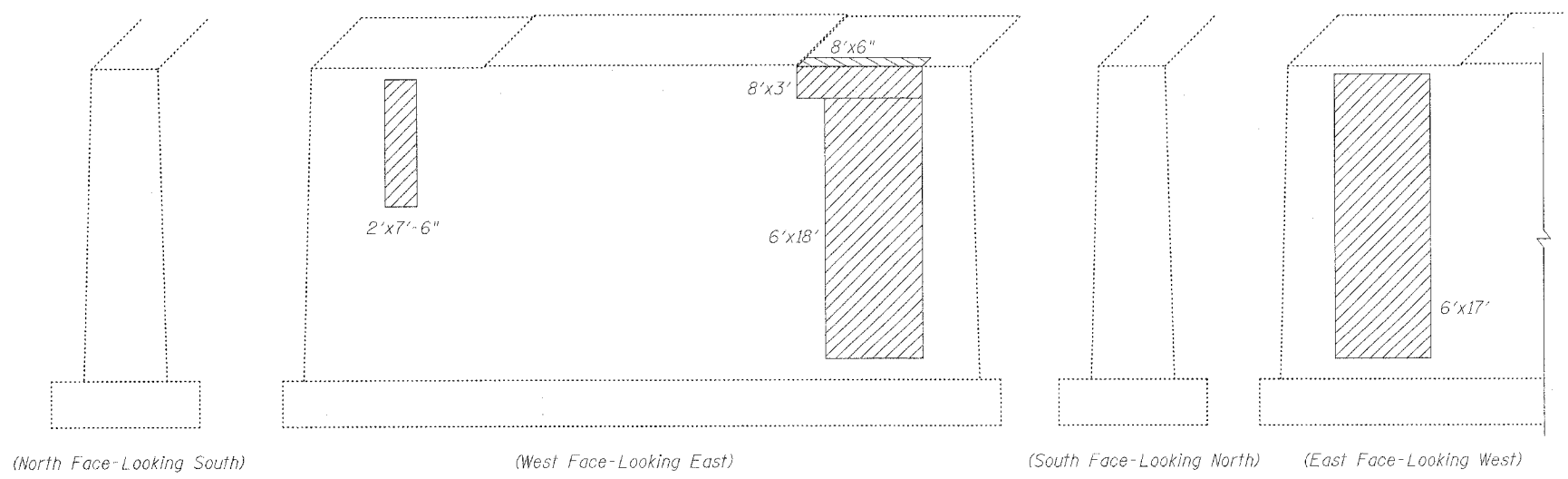
PIER 1 ELEVATION



PIER 4 ELEVATION



PLAN AT WEST ABUT.



PIER 5 ELEVATION

BILL OF MATERIAL

ITEM	UNIT	QUANTITY
Formed Concrete Repair (Depth ≤ 5")	Sq. Ft.	460
Slopewall Repair	Sq. Yd.	6.4
Controlled Low-Strength Material	Cu. Yd.	3.2

LEGEND

- Formed Concrete Repair (Depth ≤ 5")
- Slopewall Repair

Note: Pier 1 and Abutments do not have any repairs.

ILLINOIS DEPARTMENT OF TRANSPORTATION
CONCRETE REPAIR DETAILS
 OLD U.S. ROUTE 36 OVER
 SANGAMON RIVER
 F.A.U. ROUTE 797B
 SECTION BR-1
 SANGAMON COUNTY
 STA. 70+00.00
 STRUCTURE NUMBER 084-0052
 DATE: JAN. 2005
 DRAWN BY: NJV
 CHECKED BY: PBB