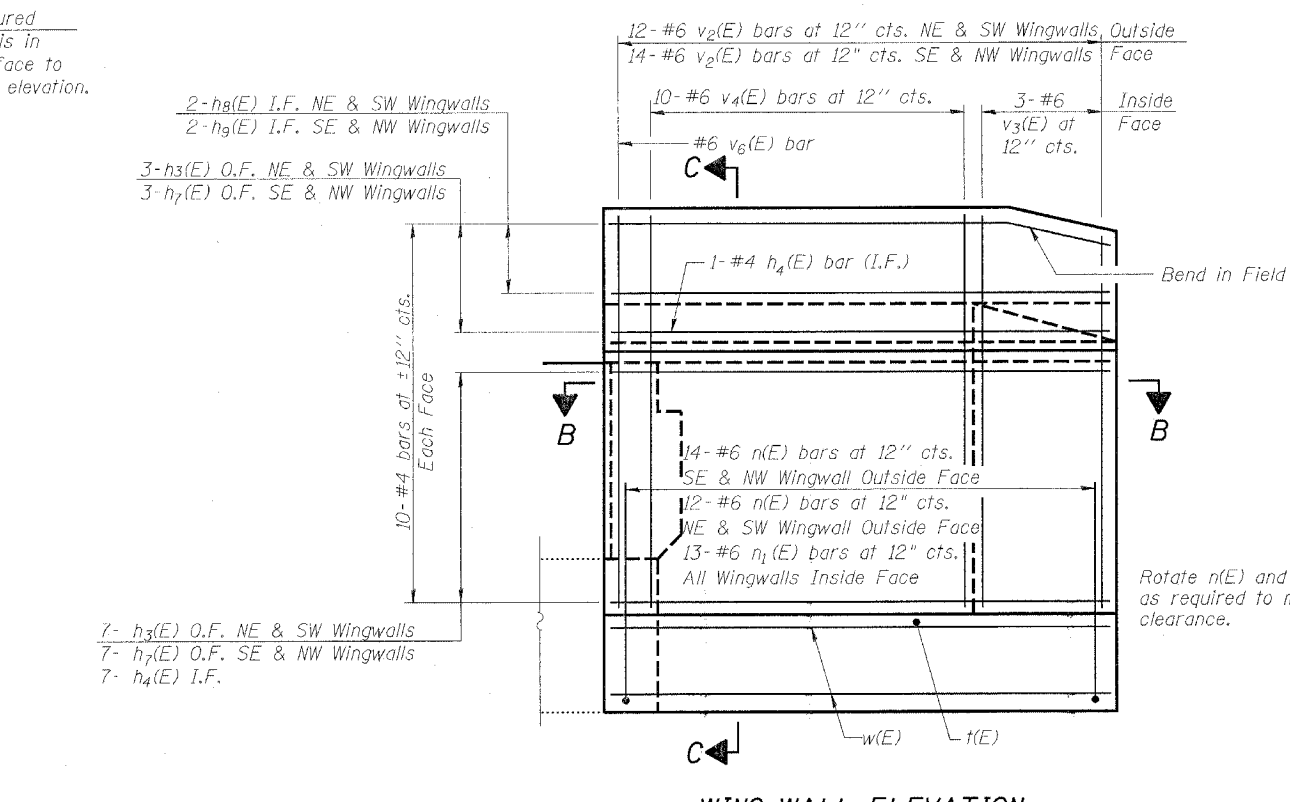
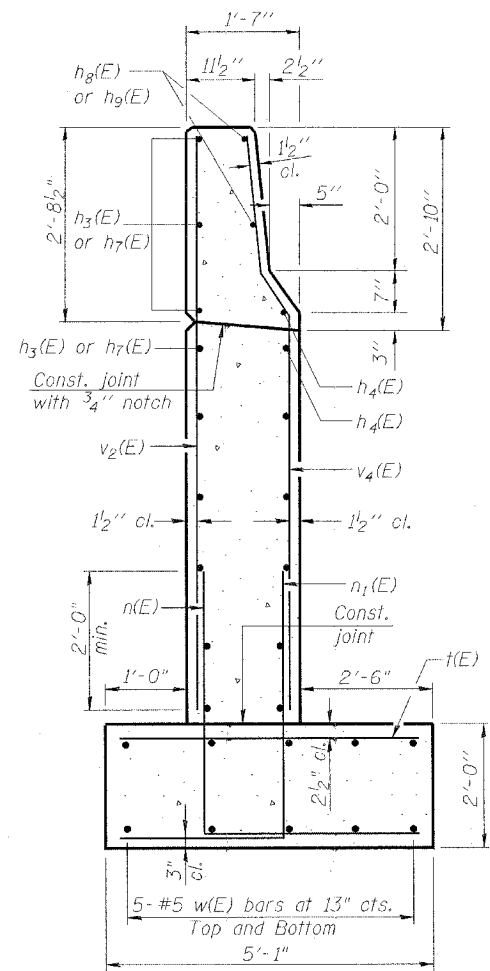


WING WALL ELEVATION
Showing Dimensions

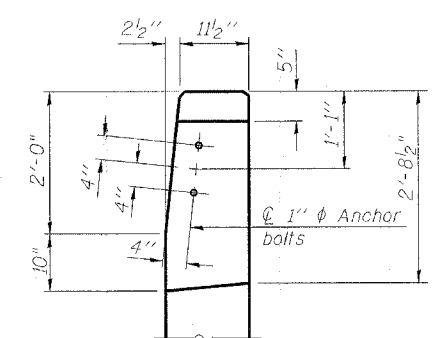


WING WALL ELEVATION
Showing Reinforcement

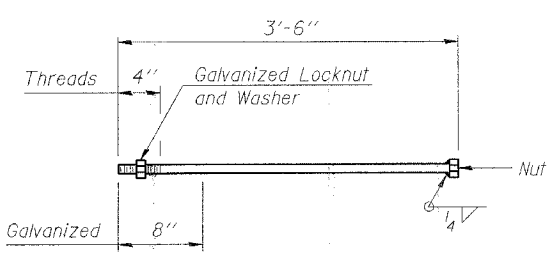


SECTION C-C

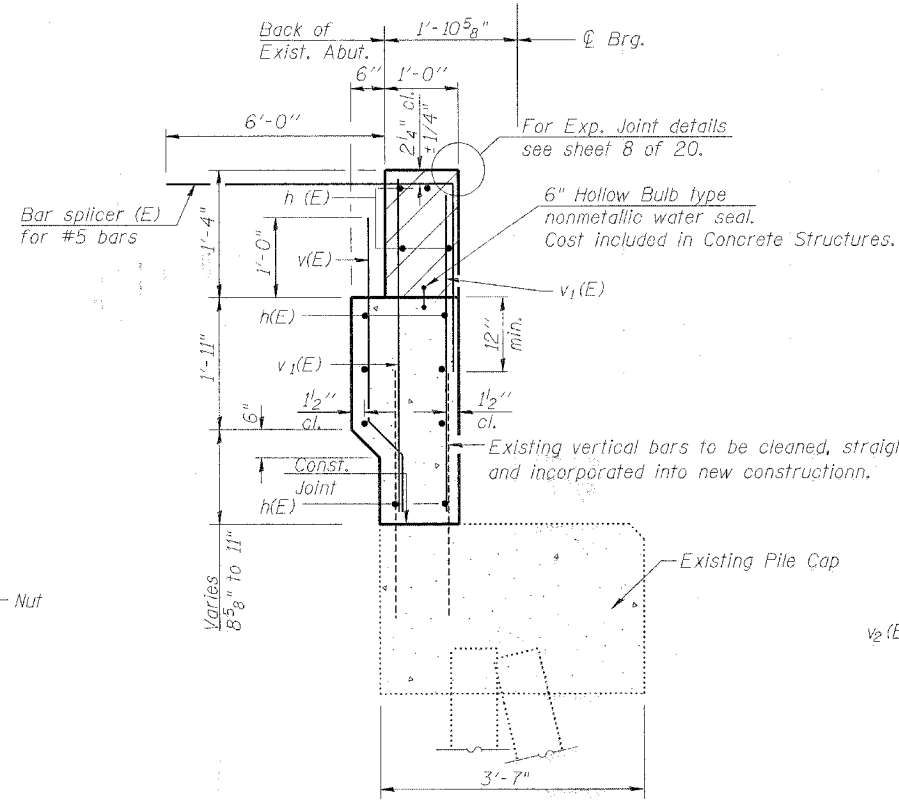
MIN BAR LAPS
#5 bars = 1'-8"
#6 bars = 2'-0"



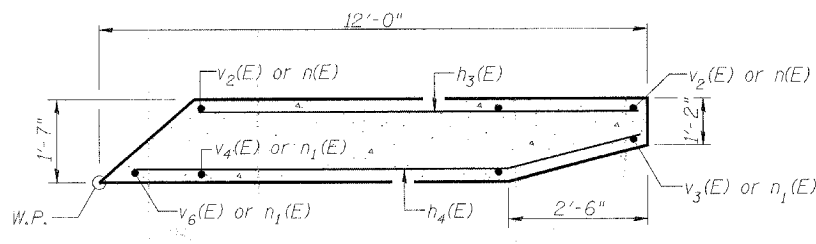
VIEW A-A



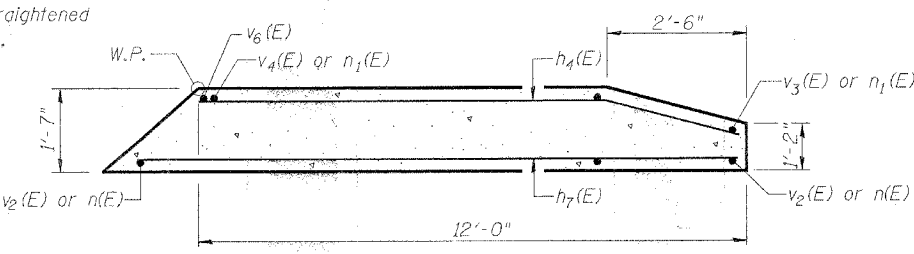
1" ϕ ANCHOR BOLT



SEC. THRU ABUT.
Dims at Rt. L's



SEC. B-B
NE & SW Wingwall



SEC. B-B
SE & NW Wingwall

NOTES:

- Work this Sheet with Sheets 15 & 16 of 20.
- Hatched area to be poured after superstructure forms have been removed. Quantity of concrete included with Concrete Superstructure on Sheet 6 of 20.
- Reinforcement bars designated (E) shall be epoxy coated.
- Quantity of concrete in end post included with Concrete Superstructure on sheet 6 of 20.
- "SE Wingwall" indicates the South East Wingwall.

ILLINOIS DEPARTMENT OF TRANSPORTATION

ABUTMENT DETAILS

OLD U.S. ROUTE 36 OVER
N.B. 7TH STREET RAMP
F.A.U. ROUTE 797B
SECTION BR-2
SANGAMON COUNTY
STA. 192+62.16
STRUCTURE NUMBER 084-0053

DATE: JAN. 2005

DRAWN BY: NJV
CHECKED BY: PBB