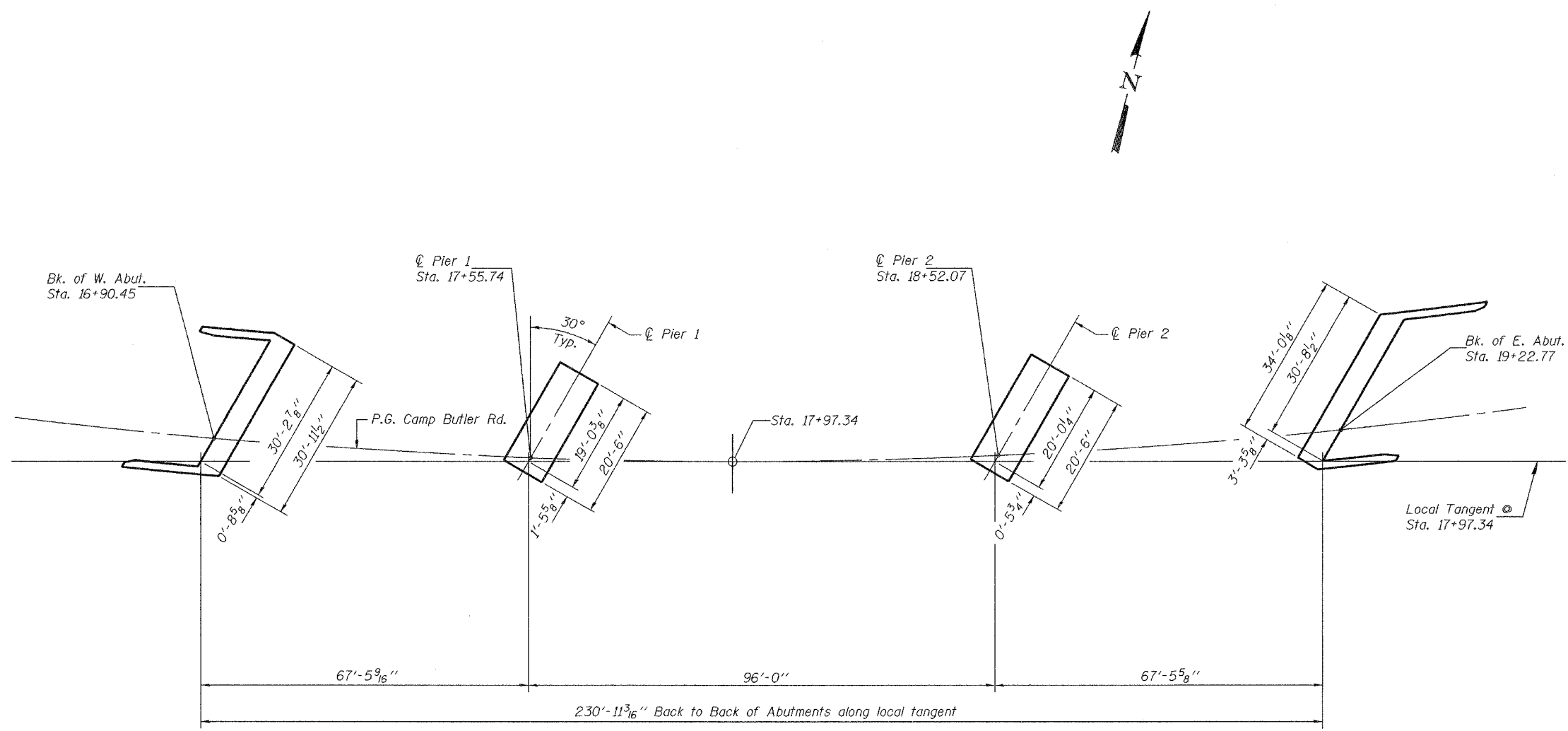


STATE OF ILLINOIS  
DEPARTMENT OF TRANSPORTATION

ROUTE NO.	SECTION	COUNTY	LENS	SHEET	SHEET NO. 3
FAU 7968	#	SANGAMON	261	173	33 SHEETS
FED. ROAD DIST. NO. 7	ILLINOIS	FED. AID PROJECT			

Contract #72449 \*SECTION 3R(BR, BR-1, BR-2)19RS-8



FOOTING LAYOUT

DESIGNED	J. Mann
CHECKED	G. Ahanchi
DRAWN	BECKY M. LEACH <i>htd</i>
CHECKED	JWM/GRA

December 1, 2005  
 EXAMINED *Thomas J. Damagalki*  
 PASSED *Ronald E. Anderson*  
ENGINEER OF BRIDGE DESIGN  
 ENGINEER OF BRIDGES AND STRUCTURES

FOOTING LAYOUT  
F.A.U. ROUTE 7968  
SECTION 3R(BR, BR-1, BR-2)19RS-8  
SANGAMON COUNTY  
STATION 17+97.34  
STRUCTURE NO. 084-0518