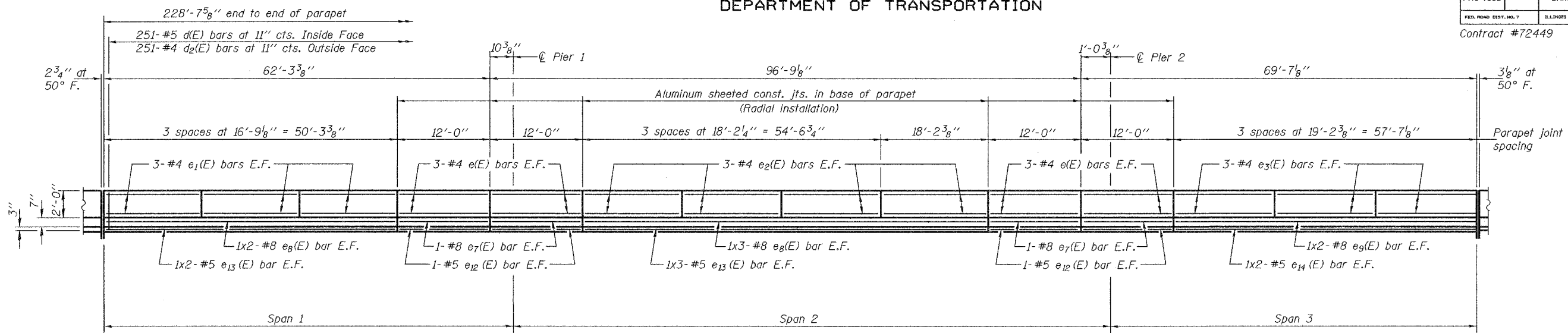


STATE OF ILLINOIS
DEPARTMENT OF TRANSPORTATION

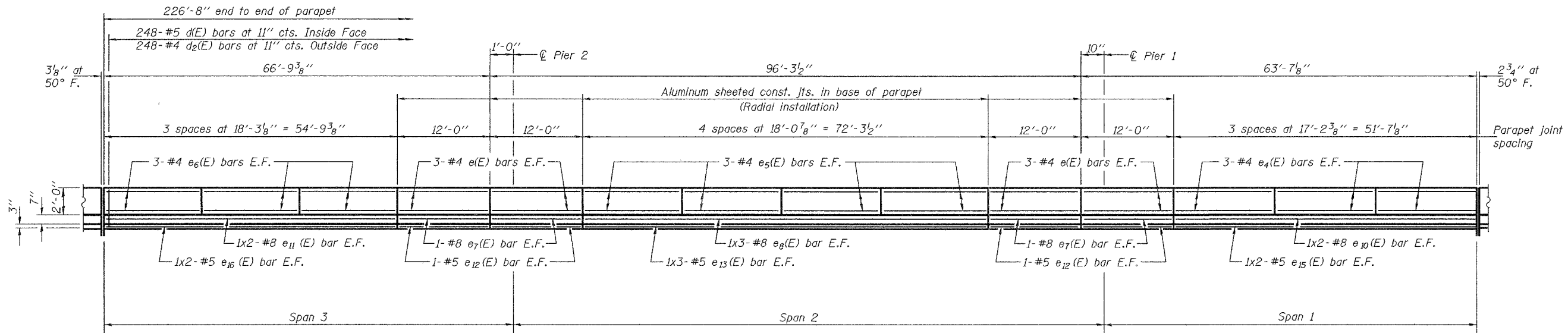
ROUTE NO.	SECTION	COUNTY	TOTAL SHEETS	SHEET NO.	SHEET NO. 8 33 SHEETS
FAU 7968	*	SANGAMON	261	178	
FED. ROAD DIST. NO. 7		ILLINOIS FED. AID PROJECT			

Contract #72449 *SECTION 3R(BR, BR-1, BR-2)19RS-8



INSIDE ELEVATION OF NORTH PARAPET

Looking North
Horizontal dimensions are along outside face of parapet



INSIDE ELEVATION OF SOUTH PARAPET

Looking South
Horizontal dimensions are along outside face of parapet

MIN. BAR LAPS

#5 bar = 1'-8"
#8 bar = 3'-5"

DESIGNED	J. Mann
CHECKED	G. Ahanchi
DRAWN	BECKY M. LEACH
CHECKED	JWM/GRA

December 1, 2005
EXAMINED *Thomas J. Domagala*
PASSED *Ralph E. Anderson*

Notes: Reinforcement bars shall not pass thru aluminum sheets.
Reinforcement bars designated (E) shall be epoxy coated.
Bars indicated thus 1 x 3-#5 etc. indicates 1 line of bars with 3 lengths per line.
See sheet 9 of 33 for parapet joint details.

SUPERSTRUCTURE DETAILS
F.A.U. ROUTE 7968
SECTION 3R(BR, BR-1, BR-2)19RS-8
SANGAMON COUNTY
STATION 17+97.34
STRUCTURE NO. 084-0518

S-1-D 10-22-04