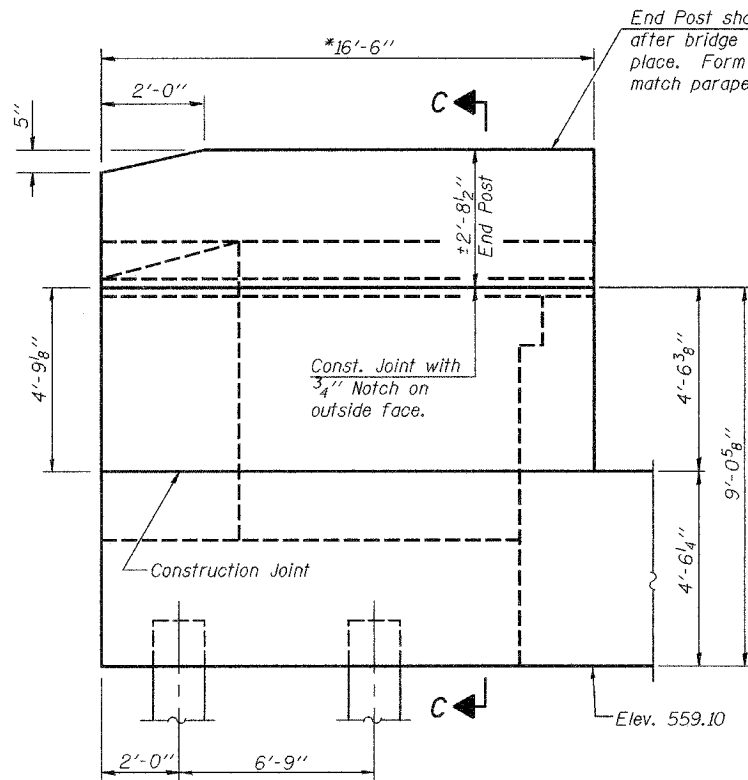


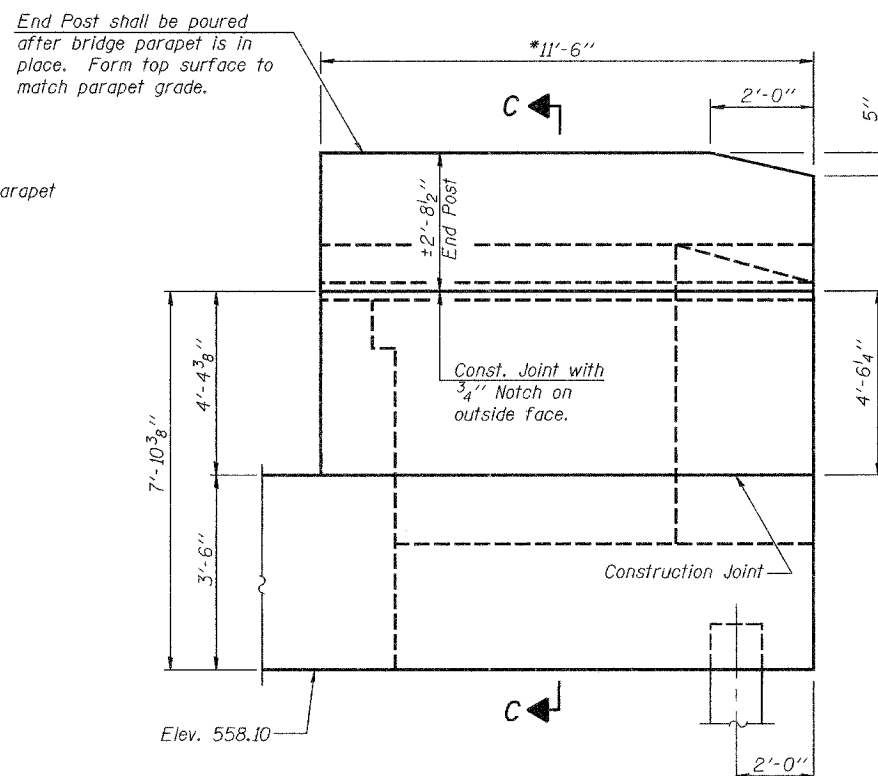
STATE OF ILLINOIS  
DEPARTMENT OF TRANSPORTATION

ROUTE NO.	SECTION	COUNTY	SHEET	SHEET NO. 21
FAU 7968	*	SANGAMON	261	191
FED. ROAD DIST. NO. 7				ILLINOIS
FED. AID PROJECT				33 SHEETS

Contract #72449 \*SECTION 3R(BR, BR-1, BR-2)19RS-8

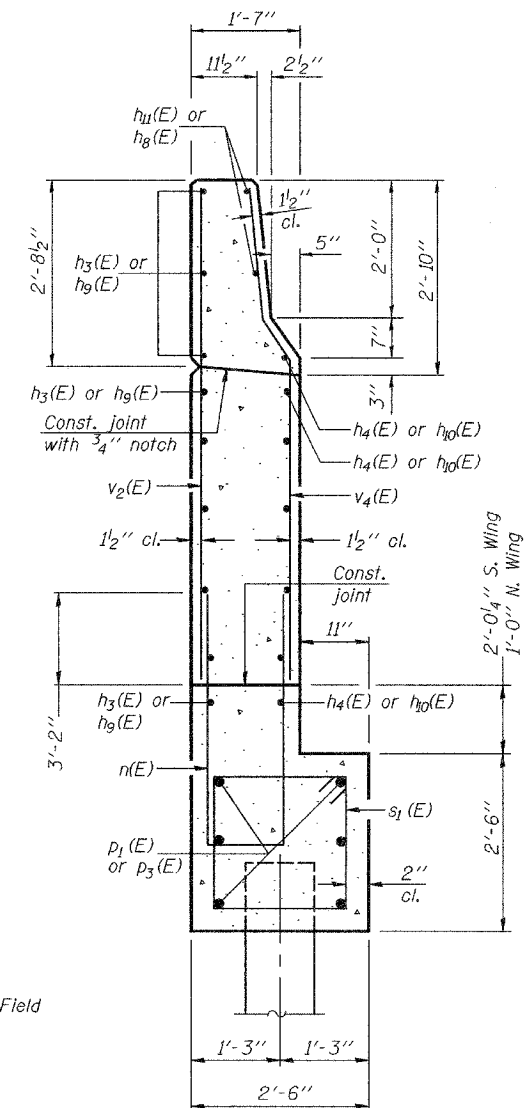


**SOUTH WING WALL ELEVATION**  
Showing Dimensions (Looking North)



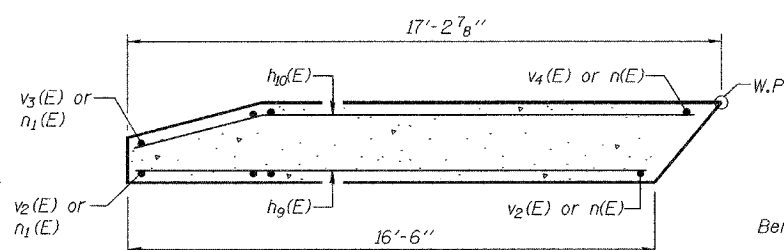
**NORTH WING WALL ELEVATION**  
Showing Dimensions (Looking South)

Notes:  
Quantity of concrete in end post included with Concrete Superstructure on sheet 9 of 33.

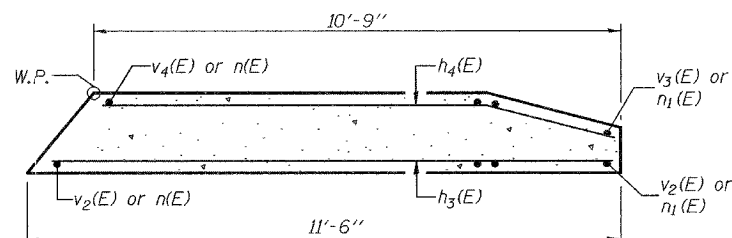


**SECTION C-C**

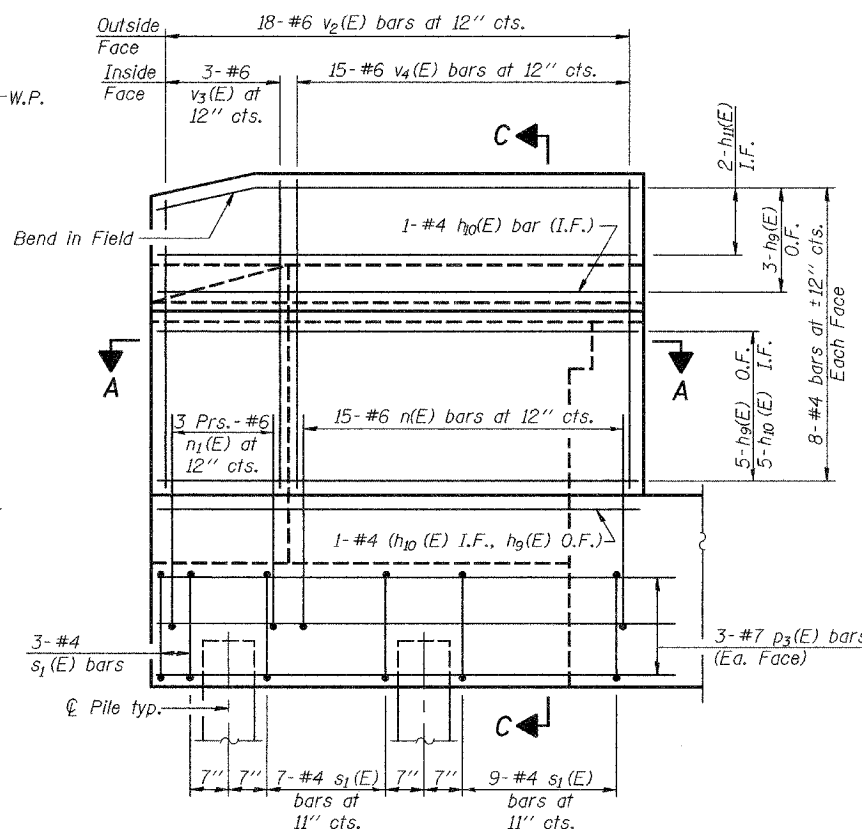
**MIN. BAR LAP**  
#6 bar = 2'-7"



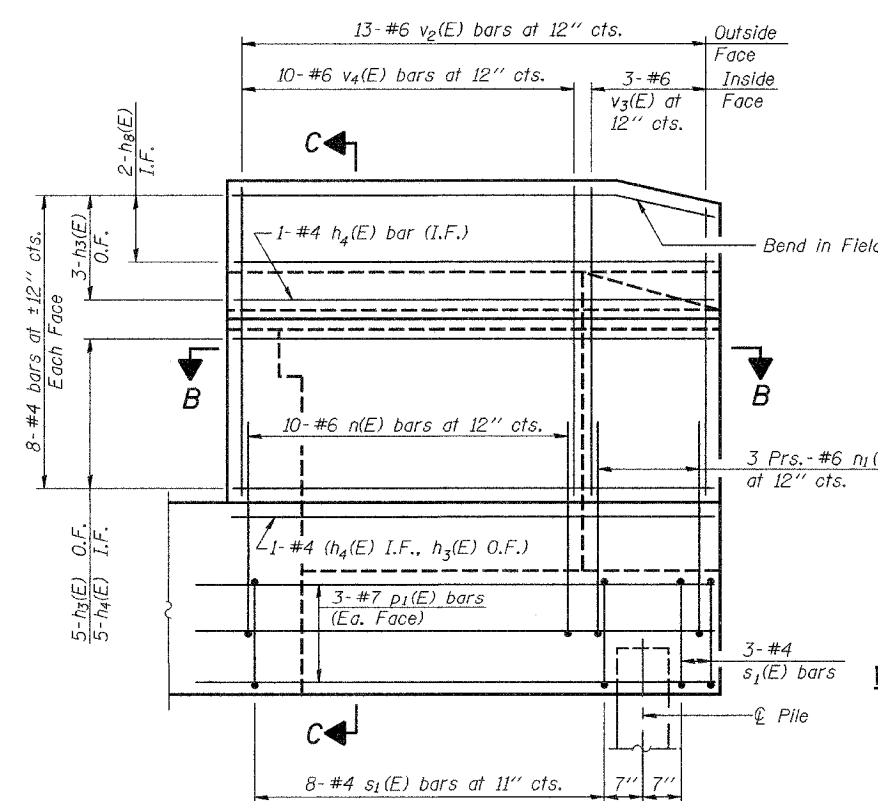
**SEC. A-A**



**SEC. B-B**



**SOUTH WING WALL ELEVATION**  
Showing Reinforcement (Looking North)



**NORTH WING WALL ELEVATION**  
Showing Reinforcement (Looking South)

**WEST ABUTMENT WINGWALL DETAILS**  
F.A.U. ROUTE 7968  
SECTION 3R(BR, BR-1, BR-2)19RS-8  
SANGAMON COUNTY  
STATION 17+97.34  
STRUCTURE NO. 084-0518

DESIGNED	J. Mann
CHECKED	G. Ahanchi
DRAWN	BECKY M. LEACH
CHECKED	JWM/GRA

December 1, 2005  
EXAMINED *Thomas J. Domagala*  
ENGINEER OF BRIDGE DESIGN  
PASSED *Ralph E. Anderson*  
ENGINEER OF BRIDGES AND STRUCTURES