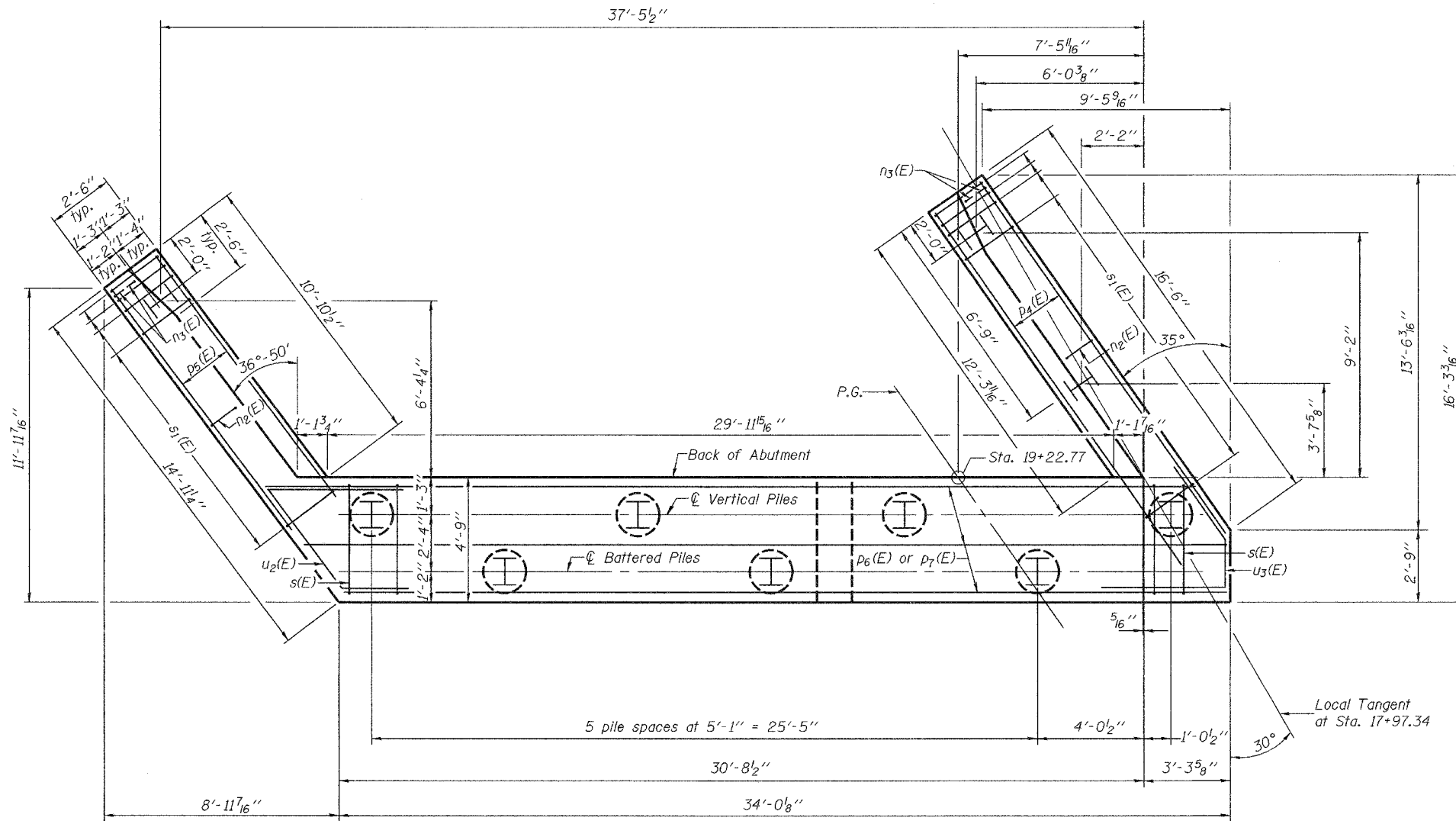
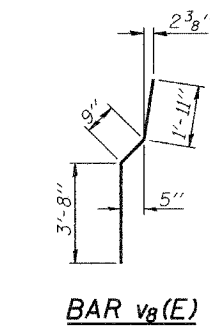
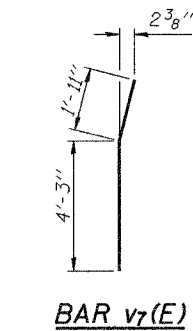
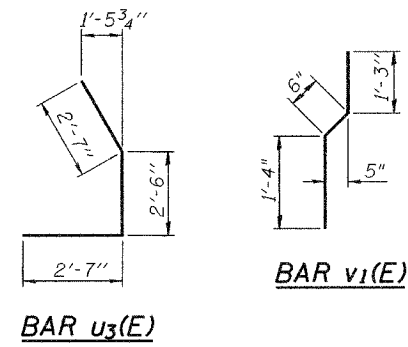
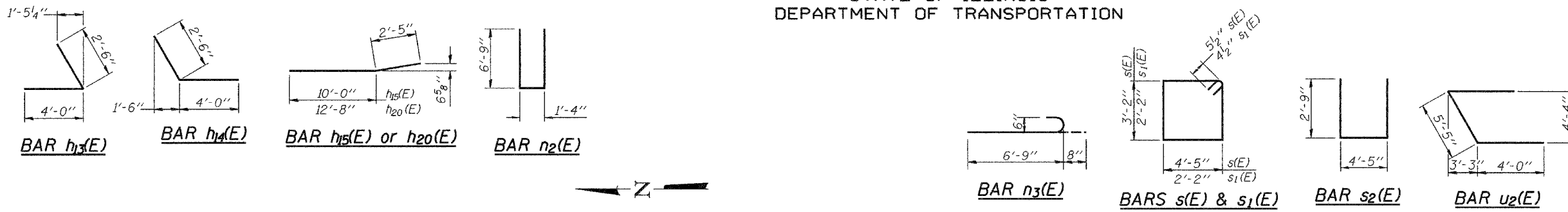


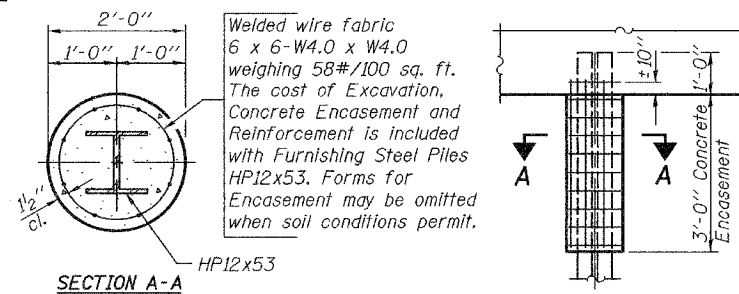
STATE OF ILLINOIS
DEPARTMENT OF TRANSPORTATION

ROUTE NO.	SECTION	COUNTY	TOTAL SHEETS	SHEET NO.	SHEET NO. 23
FAU 7968	*	SANGAMON	261	193	33 SHEETS
FED. ROAD DIST. NO. 7	ILLINOIS	FED. AID PROJECT-			

Contract #72449 *SECTION 3R(BR, BR-1, BR-2)19RS-8



PLAN-PILE CAP



PILE ENCASEMENT DETAIL

EAST ABUTMENT
BILL OF MATERIAL

Bar	No.	Size	Length	Shape
h3(E)	9	#4	11'-3"	—
h9(E)	9	#4	16'-3"	—
h20(E)	16	#5	17'-1"	—
h3(E)	12	#5	6'-6"	L
h4(E)	12	#5	6'-6"	J
h5(E)	7	#4	12'-5"	—
h6(E)	2	#4	11'-7"	—
h7(E)	8	#6	17'-3"	—
h8(E)	6	#5	13'-3"	—
h9(E)	3	#5	5'-10"	—
h20(E)	7	#4	15'-1"	—
h21(E)	2	#4	15'-11"	—
n2(E)	25	#6	14'-10"	U
n3(E)	12	#6	7'-5"	U
p4(E)	6	#7	16'-2"	—
p5(E)	6	#7	13'-0"	—
p6(E)	13	#8	20'-8"	—
p7(E)	3	#8	18'-1"	—
s(E)	32	#5	16'-1"	□
s1(E)	31	#4	9'-5"	□
s2(E)	31	#4	9'-11"	□
u2(E)	4	#6	13'-5"	U
u3(E)	6	#6	7'-8"	J
v(E)	66	#5	6'-0"	—
v1(E)	33	#4	3'-1"	—
v5(E)	33	#5	3'-2"	—
v6(E)	31	#6	5'-9"	—
v7(E)	6	#6	6'-2"	—
v8(E)	25	#6	6'-4"	—
Structure Excavation	Cu. Yd.	221		
Concrete Structures	Cu. Yd.	46.9		
Reinforcement Bars, Epoxy Coated	Pound	5240		
Furnishing Steel Piles HP12x53	Foot	738		
Test Pile Steel HP12x53	Each	1		
Driving Steel Piles	Foot	738		

Reinforcement bars designated (E) shall be epoxy coated.
For details of Bar Splicers, see sheet 30 of 33.

EAST ABUTMENT DETAILS
F.A.U. ROUTE 7968
SECTION 3R(BR, BR-1, BR-2)19RS-8
SANGAMON COUNTY
STATION 17+97.34
STRUCTURE NO. 084-0518

PILE DATA

Type: HP12x53
Capacity: Driven to Refusal
Est. Length: 82'
No. Required: 9 + 1 test pile

DESIGNED	J. Mann
CHECKED	G. Ahanchi
DRAWN	BECKY M. LEACH
CHECKED	JMM/GRA

December 1, 2005	
EXAMINED	Thomas J. Domagala
PASSED	Ralph E. Anderson