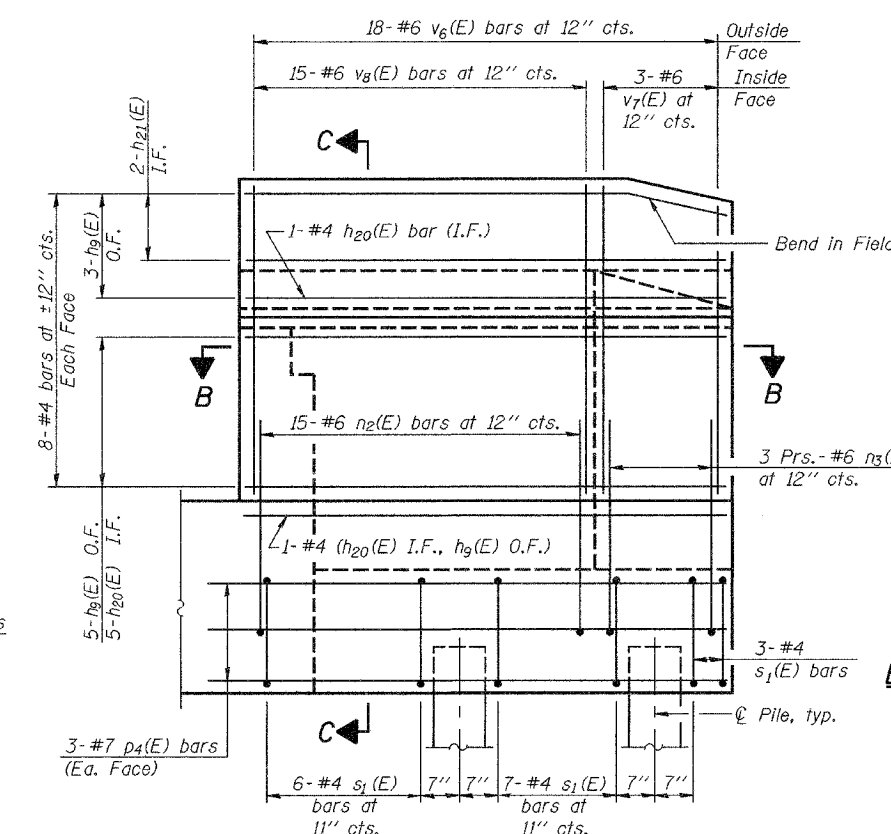
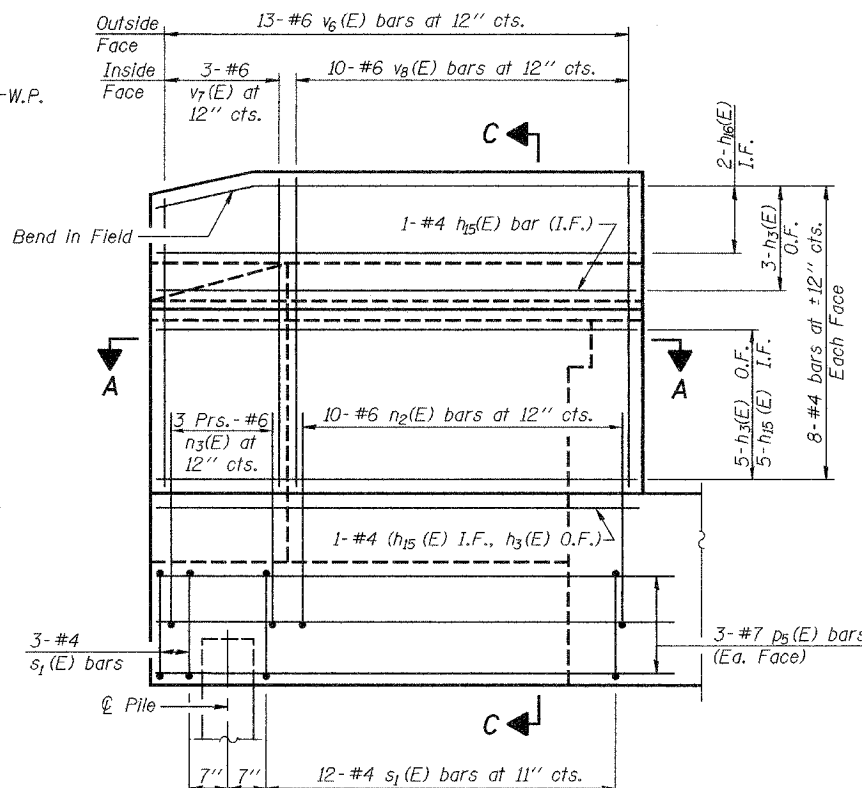
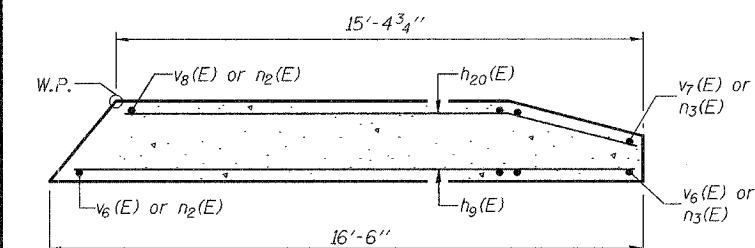
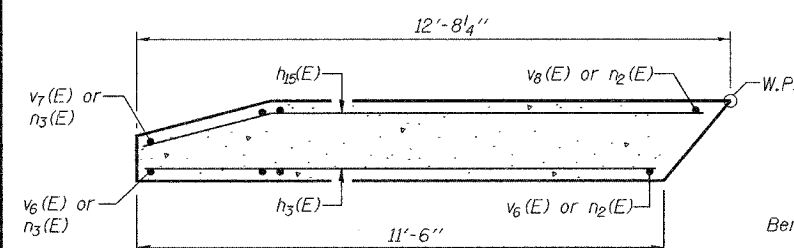
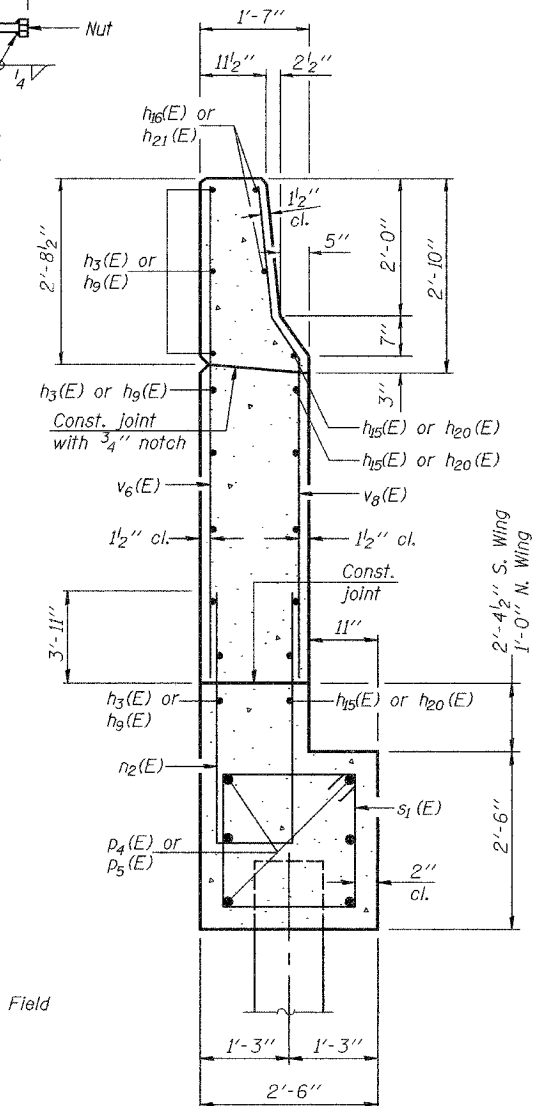
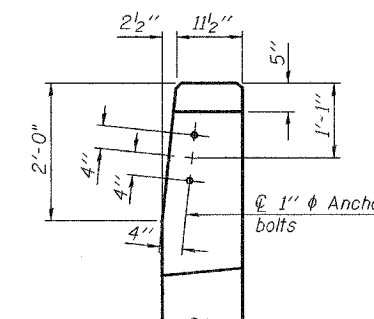
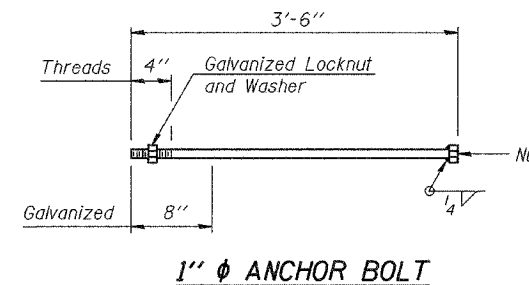
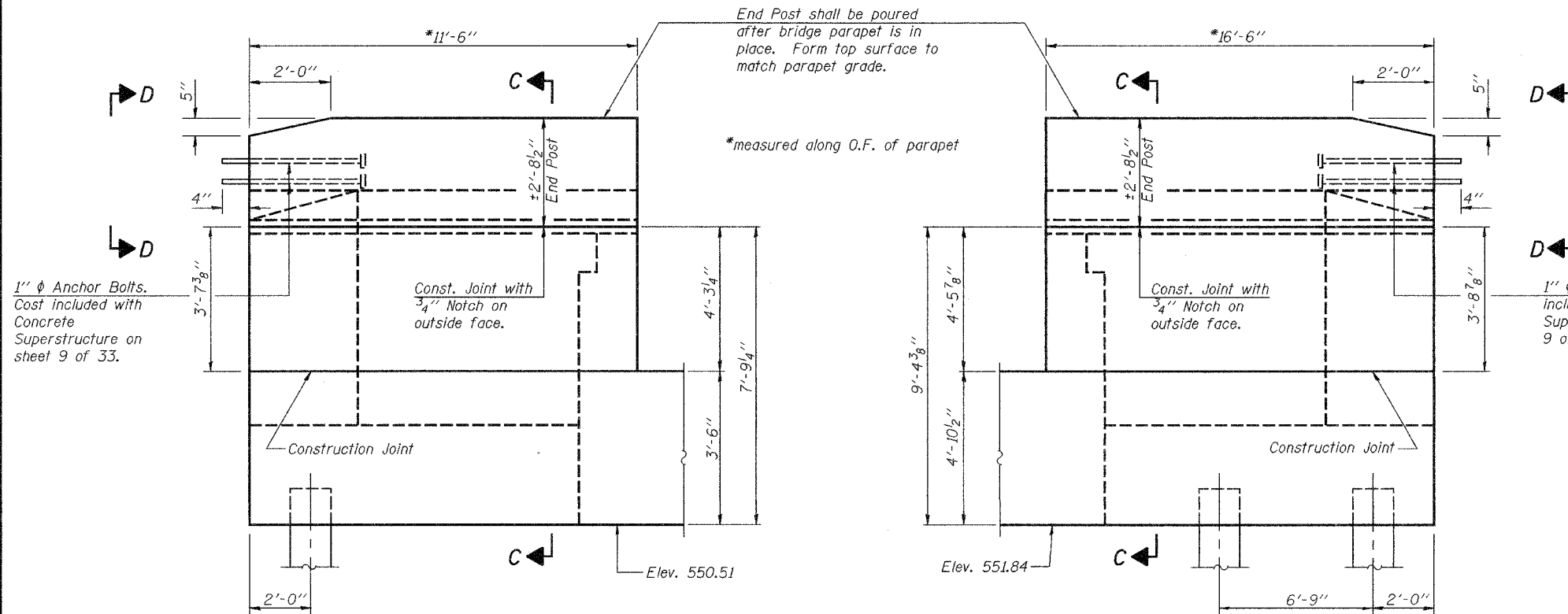


STATE OF ILLINOIS
DEPARTMENT OF TRANSPORTATION

ROUTE NO.	SECTION	COUNTY	DATE	SHEET NO.	SHEET NO. 24 33 SHEETS
FAU 7968	*	SANGAMON	2.61	194	
FED. ROAD DIST. NO. 7	BLINDS	FED. AID PROJECT	Contract #72449 *SECTION 3R(BR, BR-1, BR-2)19RS-8		

Notes:
Quantity of concrete in end post included with Concrete Superstructure on sheet 9 of 33.

End Post shall be poured after bridge parapet is in place. Form top surface to match parapet grade.
*measured along O.F. of parapet



SECTION C-C

MIN. BAR LAP
#6 bar = 2'-7"

EAST ABUTMENT WINGWALL DETAILS
F.A.U. ROUTE 7968
SECTION 3R(BR, BR-1, BR-2)19RS-8
SANGAMON COUNTY
STATION 17+97.34
STRUCTURE NO. 084-0518

DESIGNED	J. Mann
CHECKED	G. Ahanchi
DRAWN	BECKY M. LEACH
CHECKED	JWM/GRA

December 1, 2005
EXAMINED *Thomas J. Domagala*
PASSED *Ralph E. Anderson*