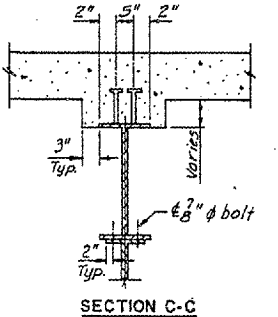
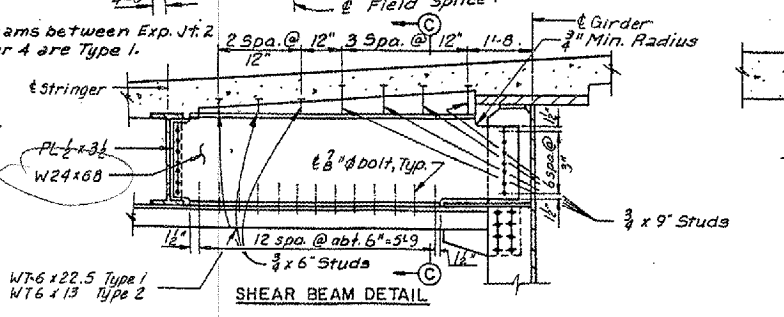
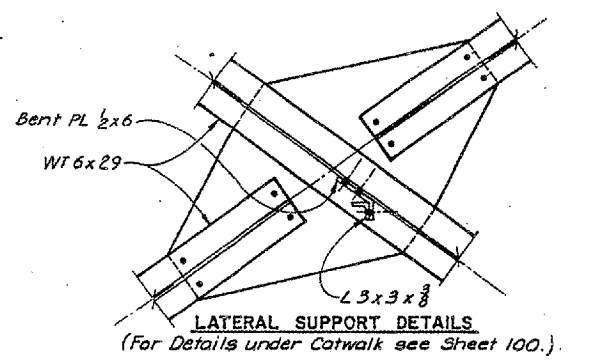
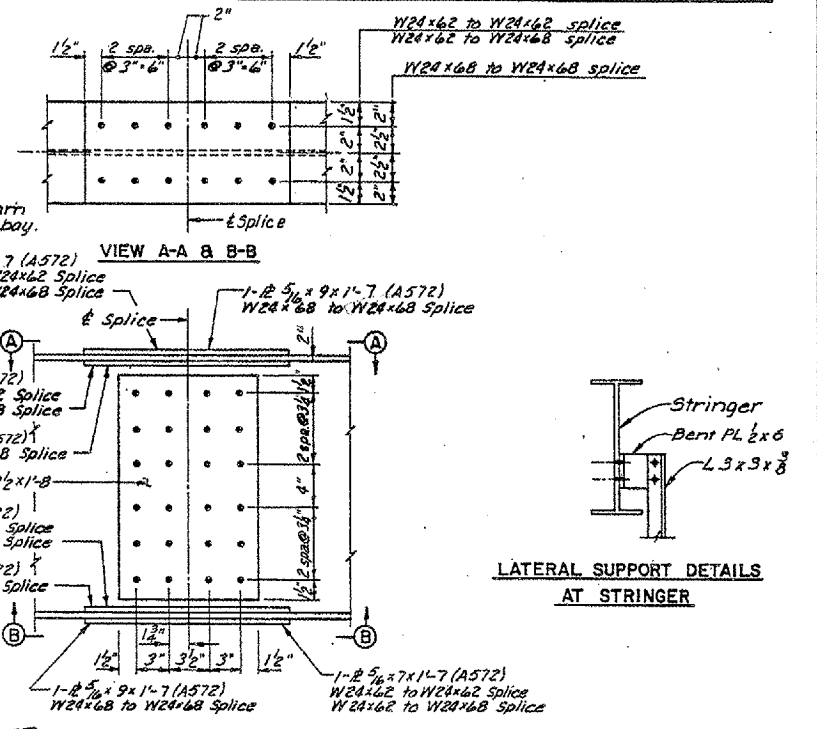
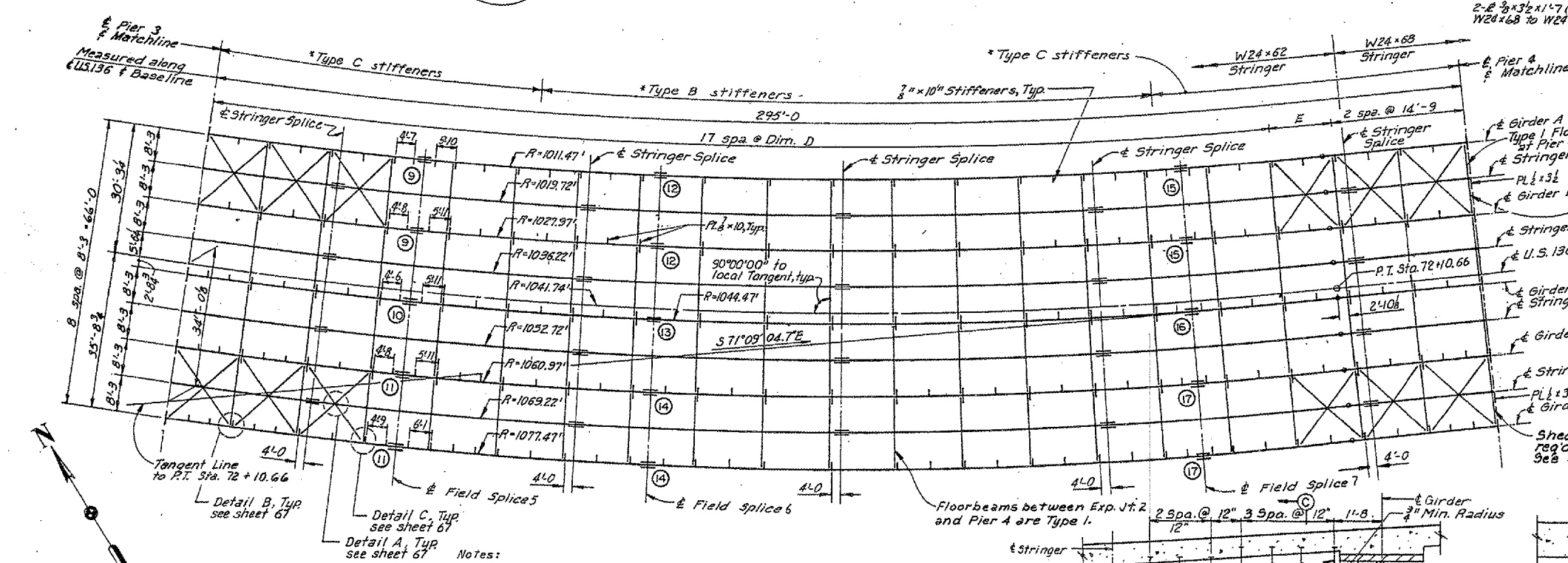
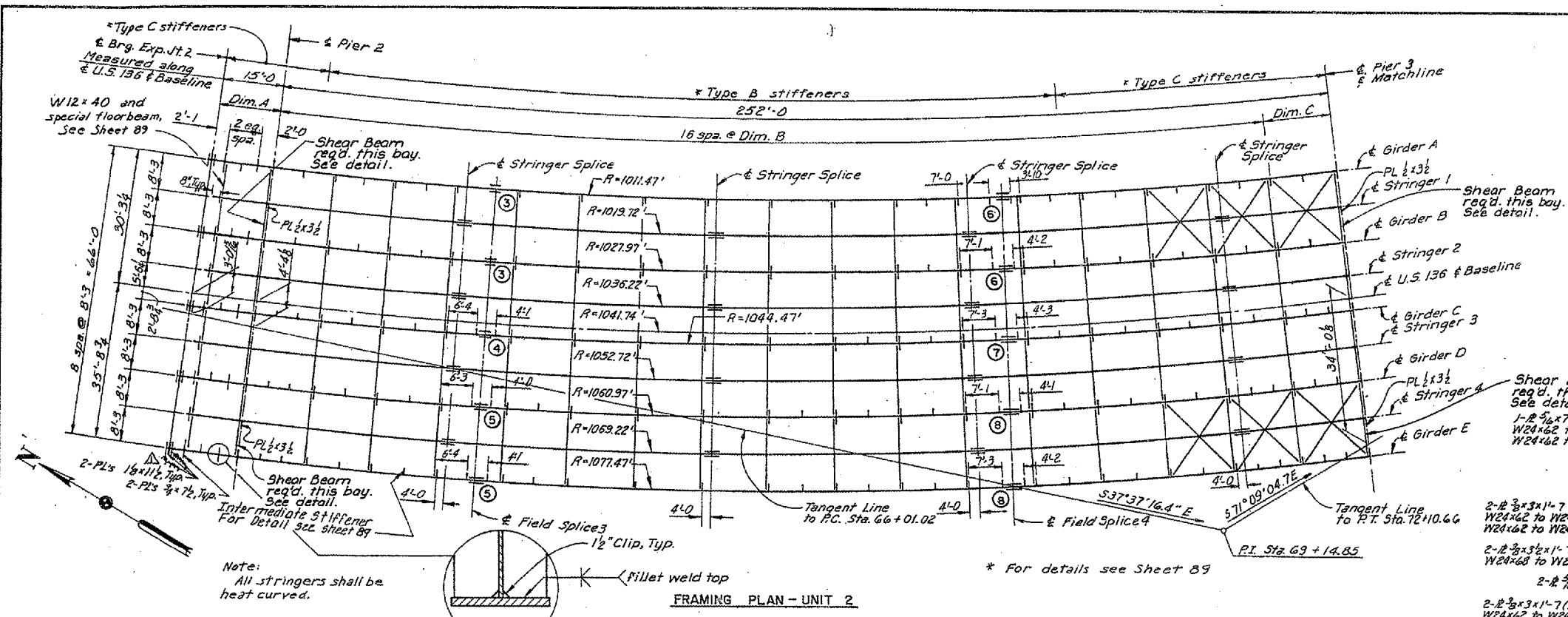


FEDERAL DIST. NO.	STATE	FED. AID PROJ. NO.	FISCAL YEAR	SHEET NO.	TOTAL SHEETS
	IOWA			15	40
	ILLINOIS				

GIRDER	DIM. A	DIM. B	DIM. C	DIM. D	DIM. E
A	14'-6 3/4"	14'-4 1/4"	14'-5 9/16"	14'-3 9/16"	14'-6 3/4"
B	14'-9 3/8"	14'-7 7/8"	14'-7"	14'-6 1/4"	14'-6 3/4"
C	15'-0 1/4"	14'-10 7/8"	14'-9 1/2"	14'-9 1/4"	14'-9 1/2"
D	15'-3 3/8"	15'-1 7/8"	15'-0 1/4"	15'-0 1/4"	14'-11 1/2"
E	15'-6 7/8"	15'-4"	15'-3 3/8"	15'-3 1/4"	15'-2 1/4"



Notes:

- For intermediate and floorbeam stiffener details see Sheet 89.
- For floorbeam details see Sheet 67.
- ⑫ denotes type of field splice to be used.
- For girder field splice details see Sheet 73.
- Intermediate stiffeners shall be equally spaced between floorbeams unless noted otherwise.

CURVE DATA

P. I. Sta. 69+14.85
 A = 33°31'48.3"
 D = 5°30'00.0"
 T = 313.83'
 L = 609.64'
 E = 46.24'
 R = 1041.74'

Revised (12-8-83) Bearing stiffeners @ Exp Jt #2 corrected as marked by Δ.

MISSISSIPPI RIVER BRIDGE
 KEOKUK, IOWA - HAMILTON, ILLINOIS

STEEL ALTERNATE
 DESIGN FOR 0° SKEW
 3340' x 64' CONTINUOUS WELDED PLATE GIRDER BRIDGE

FRAMING PLAN - UNIT 2

STA. 80+0.00
 RIVER MILE 383.9
 LEE COUNTY, IOWA

PROJECT NO. BR-19-1(3)-28-58
 HANGCOCK COUNTY, ILLINOIS

FOR INFORMATION ONLY