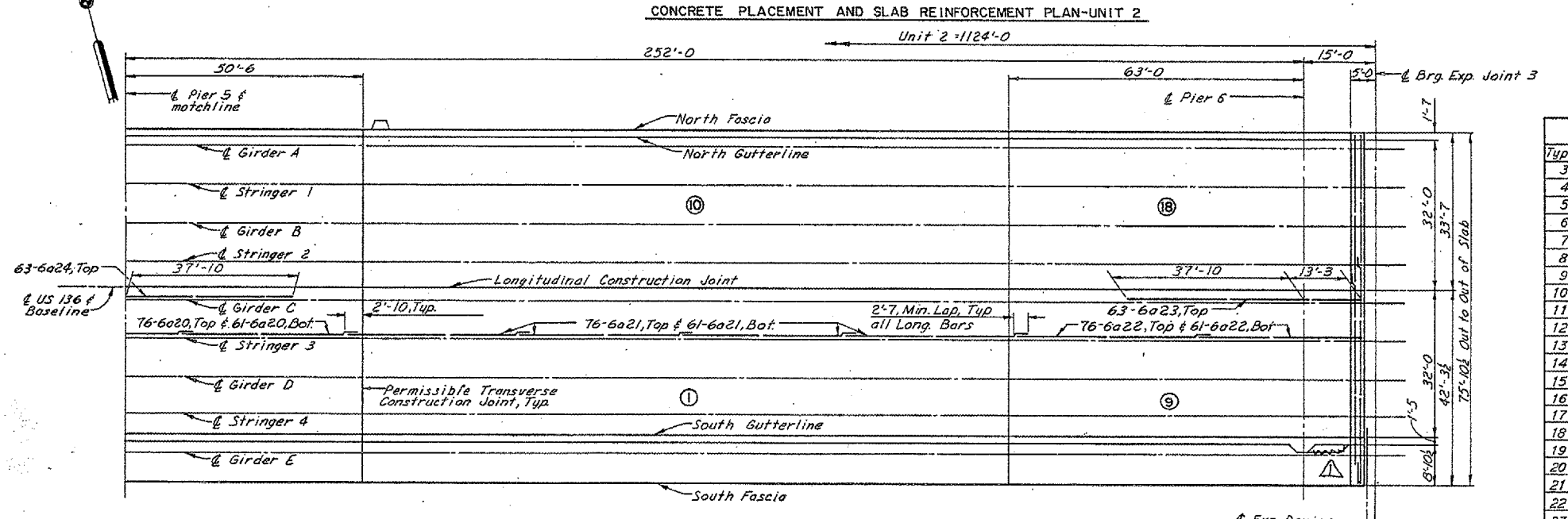
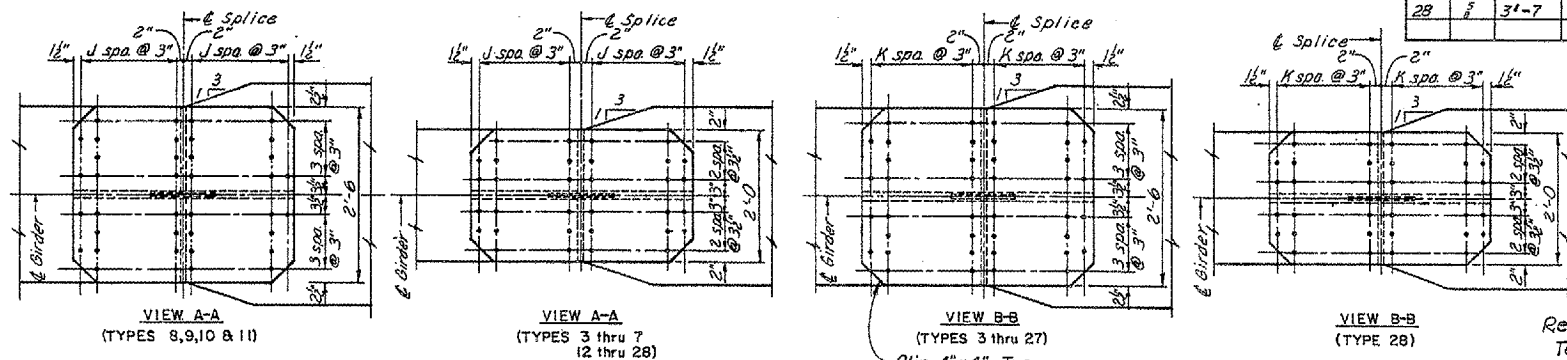
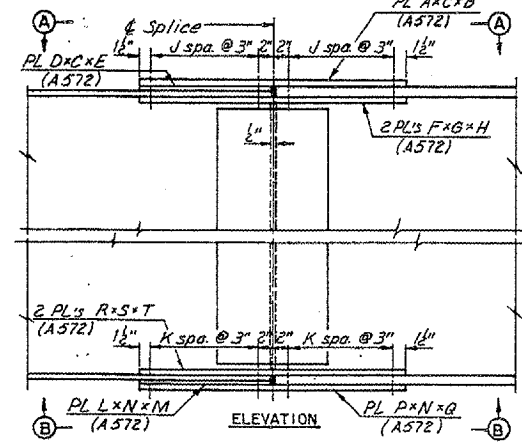


**Note:**  
Two fill plates 15 gage x 6" x 9'-9" are required for web splices, Types 6, 7, 8, 15, 16, 17, 18, 19, 20 and 21.  
Two fill plates 15 gage x 9" x 9'-9" are required for web splices, Types 9, 10, 11, 24, 25 and 26.

TABLE OF FIELD SPLICE DIMENSIONS																			
Type	A	B	C	D	E	F	G	H	J	K	L	M	N	P	Q	R	S	T	
3	3'-7"	24"	11'-9"	11'	3'-7"	6"	6"	11'-9"	30"	3'-7"	14"	3'-7"							
4	3'-7"	24"	11'-9"	11'	3'-7"	6"	6"	11'-9"	30"	4'-1"	14"	4'-1"							
5	4'-1"	24"	2'-0"	11'	4'-1"	7"	8"	2'-3"	30"	4'-7"	14"	4'-7"							
6	2'-1"	24"	11'-0"	11'	2'-1"	3"	5"	-	30"	3'-1"	14"	3'-1"							
7	2'-1"	24"	11'-0"	11'	2'-1"	3"	5"	-	30"	3'-1"	14"	3'-1"							
8	2'-1"	30"	11'-0"	14"	2'-1"	3"	6"	-	30"	3'-7"	14"	3'-7"							
9	3'-1"	30"	11'-6"	14"	3'-1"	5"	6"	11'-9"	30"	3'-7"	14"	3'-7"							
10	3'-1"	30"	11'-6"	14"	3'-1"	5"	7"	2'-0"	30"	4'-1"	14"	4'-1"							
11	3'-7"	30"	11'-9"	14"	3'-7"	6"	7"	2'-0"	30"	4'-1"	14"	4'-1"							
12	2'-7"	24"	11'-3"	11'	2'-7"	4"	6"	-	30"	3'-7"	14"	3'-7"							
13	3'-1"	24"	11'-6"	11'	3'-1"	5"	6"	-	30"	3'-7"	14"	3'-7"							
14	3'-7"	24"	11'-9"	11'	3'-7"	6"	7"	-	30"	4'-1"	14"	4'-1"							
15	2'-7"	24"	11'-3"	11'	2'-7"	4"	4"	-	30"	2'-7"	14"	2'-7"							
16	2'-7"	24"	11'-3"	11'	2'-7"	4"	4"	-	30"	2'-7"	14"	2'-7"							
17	2'-7"	24"	11'-3"	11'	2'-7"	4"	5"	-	30"	3'-1"	14"	3'-1"							
18	2'-7"	24"	11'-3"	11'	2'-7"	4"	5"	11'-6"	30"	3'-1"	14"	3'-1"							
19	2'-7"	24"	11'-3"	11'	2'-7"	4"	5"	11'-6"	30"	3'-1"	14"	3'-1"							
20	2'-7"	24"	11'-3"	11'	2'-7"	4"	5"	11'-6"	30"	3'-1"	14"	3'-1"							
21	2'-7"	24"	11'-3"	11'	2'-7"	4"	6"	-	30"	3'-7"	14"	3'-7"							
22	2'-7"	24"	11'-3"	11'	2'-7"	4"	6"	-	30"	3'-7"	14"	3'-7"							
23	2'-7"	24"	11'-3"	11'	2'-7"	4"	6"	-	30"	3'-7"	14"	3'-7"							
24	3'-1"	24"	11'-6"	11'	3'-1"	5"	5"	11'-6"	30"	3'-1"	14"	3'-1"							
25	3'-1"	24"	11'-6"	11'	3'-1"	5"	5"	11'-6"	30"	3'-1"	14"	3'-1"							
26	3'-7"	24"	11'-9"	11'	3'-7"	6"	5"	11'-6"	30"	3'-1"	14"	3'-1"							
27	2'-7"	24"	11'-3"	11'	2'-7"	4"	5"	11'-6"	30"	3'-1"	14"	3'-1"							
28	3'-7"	24"	-	11'	3'-7"	6"	8"	2'-3"	24"	4'-7"	11"	4'-7"							



**Note:**  
5'-0" each side of Joint 3 shall be poured after both Unit 2 and 3 are completed and expansion joint is in place.



Revision (5-31-83)  
Telephone conduit bases deleted as marked by Δ.

**MISSISSIPPI RIVER BRIDGE**  
KEOKUK, IOWA - HAMILTON, ILLINOIS

**STEEL ALTERNATE**  
DESIGN FOR 0° SKEW  
3340' x 64' CONTINUOUS WELDED PLATE GIRDER BRIDGE

SLAB PLAN-UNIT 2

STA. 50+40.00  
RIVER MILE 363.9  
LEE COUNTY, IOWA

PROJECT NO. BRP-19-1(1)-25-56  
HANCOCK COUNTY, ILLINOIS

**FOR INFORMATION ONLY**