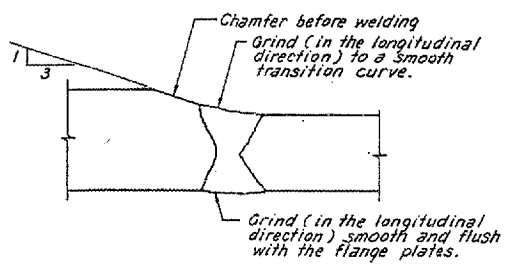
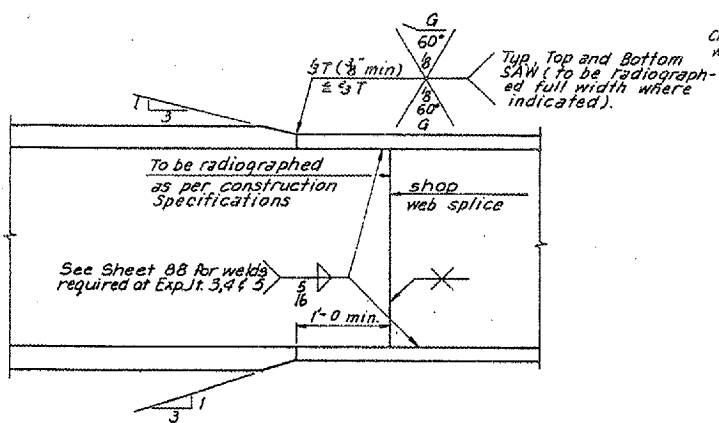


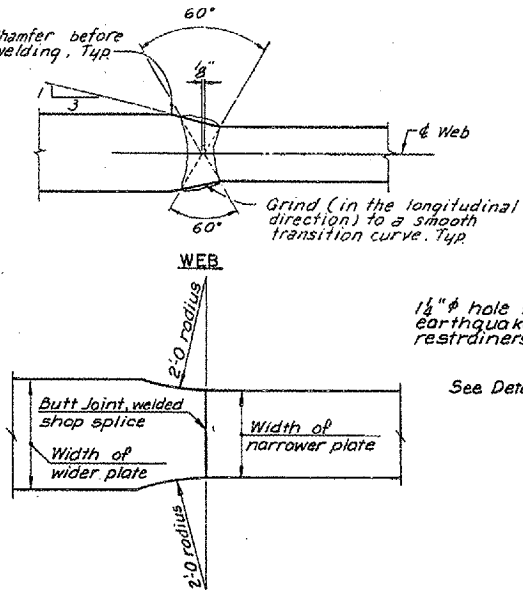
|                   |          |                    |             |           |              |
|-------------------|----------|--------------------|-------------|-----------|--------------|
| FEDERAL DIST. NO. | STATE    | FED. AID PROJ. NO. | FISCAL YEAR | SHEET NO. | TOTAL SHEETS |
|                   | IOWA     |                    |             | 37        | 40           |
|                   | ILLINOIS |                    |             |           |              |



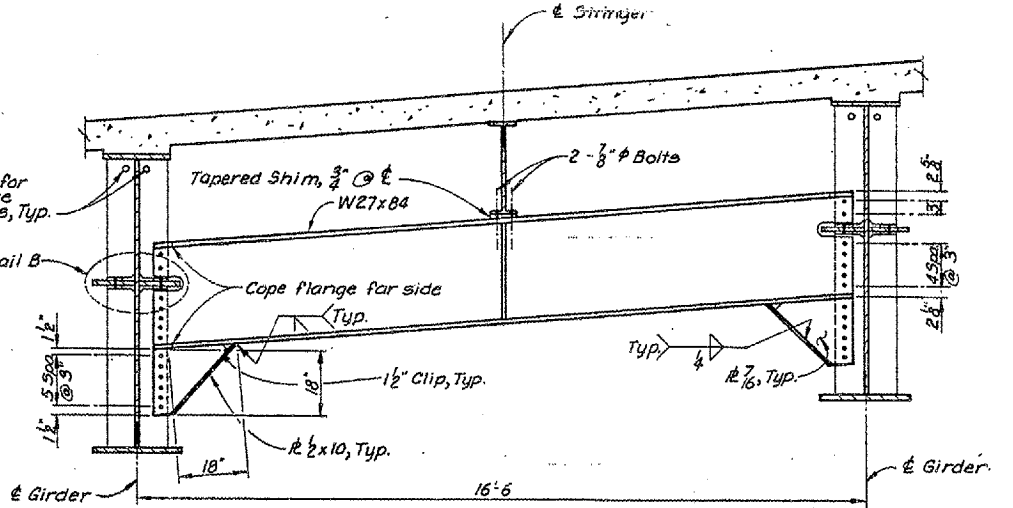
Note:  
Flange plates of equal thickness similar, chamfer not required.



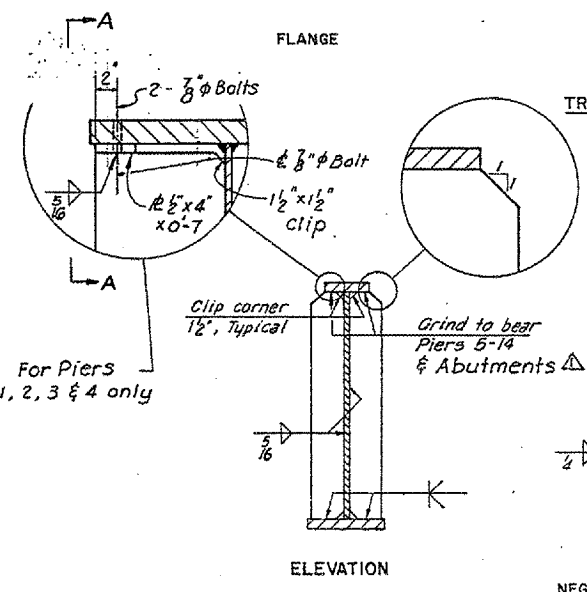
TRANSITION OF THICKNESS TYPICAL WELDED SHOP SPLICE DETAILS



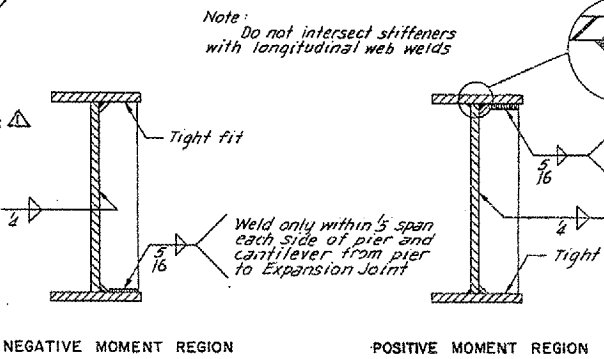
WELD FLANGE SPLICE DETAIL



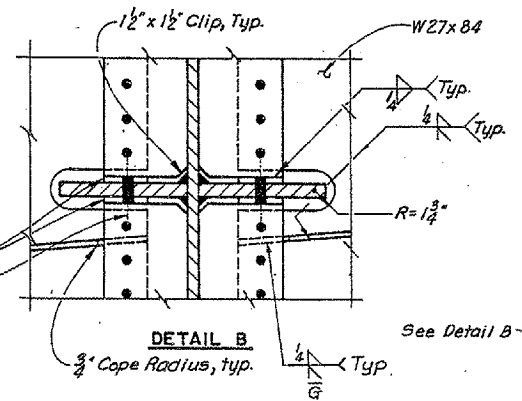
FLOORBEAM NEAR EXP. JT. 2 - UNIT 1



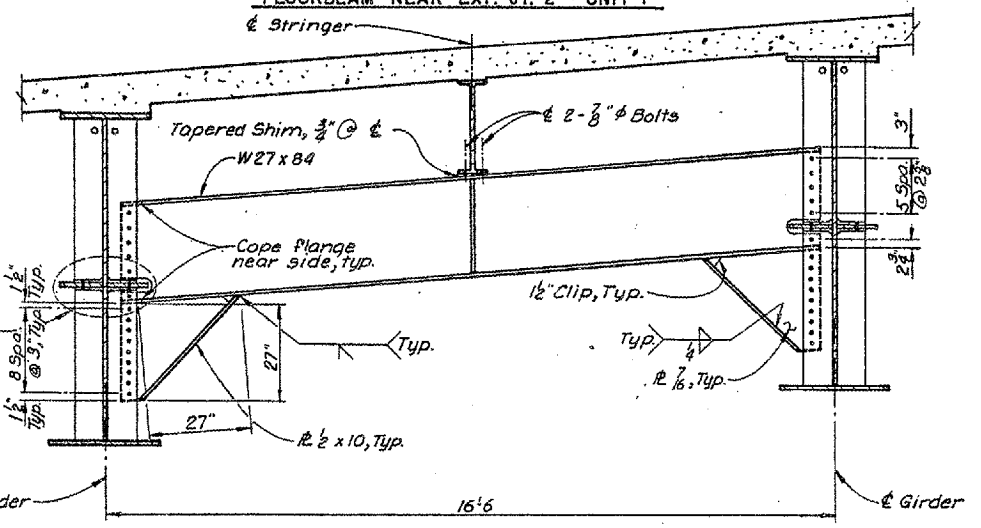
TYPICAL BEARING STIFFENER DETAIL



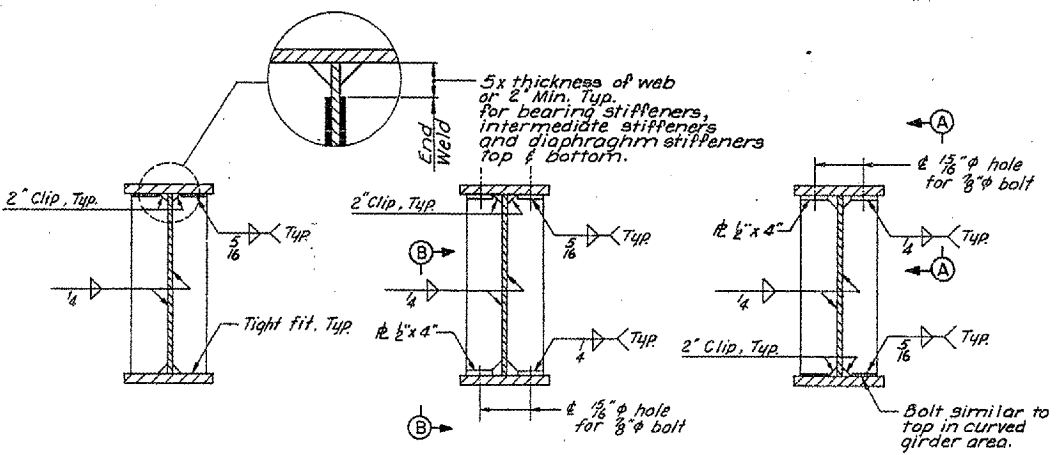
TYPICAL INTERMEDIATE STIFFENER DETAIL



DETAIL B



FLOORBEAM NEAR EXP. JT. 2 - UNIT 2



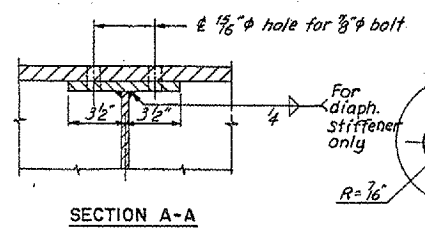
TYPICAL DIAPHRAGM STIFFENER DETAIL

STRAIGHT GIRDER POSITIVE MOMENT REGION TYPE A

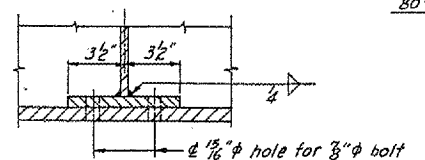
CURVED GIRDER POSITIVE MOMENT REGION TYPE B

NEGATIVE MOMENT REGION TYPE C

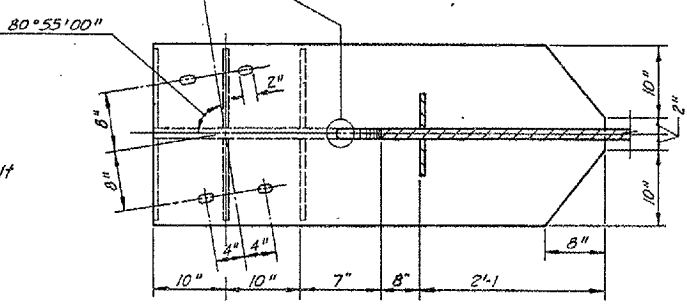
Note: See Framing Plan Sheet for location of Type A, B and C stiffeners.



SECTION A-A

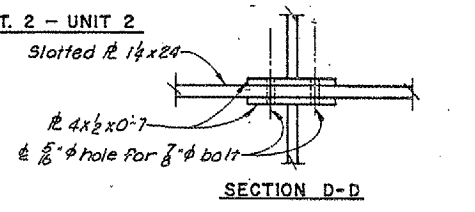


SECTION B-B



SECTION C-C (Exp. Jt. 2)

For location of Section C-C, see Sheet 08.



SECTION D-D



MISSISSIPPI RIVER BRIDGE  
KEOKUK, IOWA - HAMILTON, ILLINOIS

STEEL ALTERNATE  
DESIGN FOR 0° SKEW  
3340' x 64' CONTINUOUS WELDED  
PLATE GIRDER BRIDGE

STIFFENER DETAILS

STA. 80+40.00  
RIVER MILE 363.9  
LEE COUNTY, IOWA

PROJECT NO. BR-19-1(3)-38-58  
HANCOCK COUNTY, ILLINOIS

FOR INFORMATION ONLY

Revised (12-8-83) Item added is marked by Δ