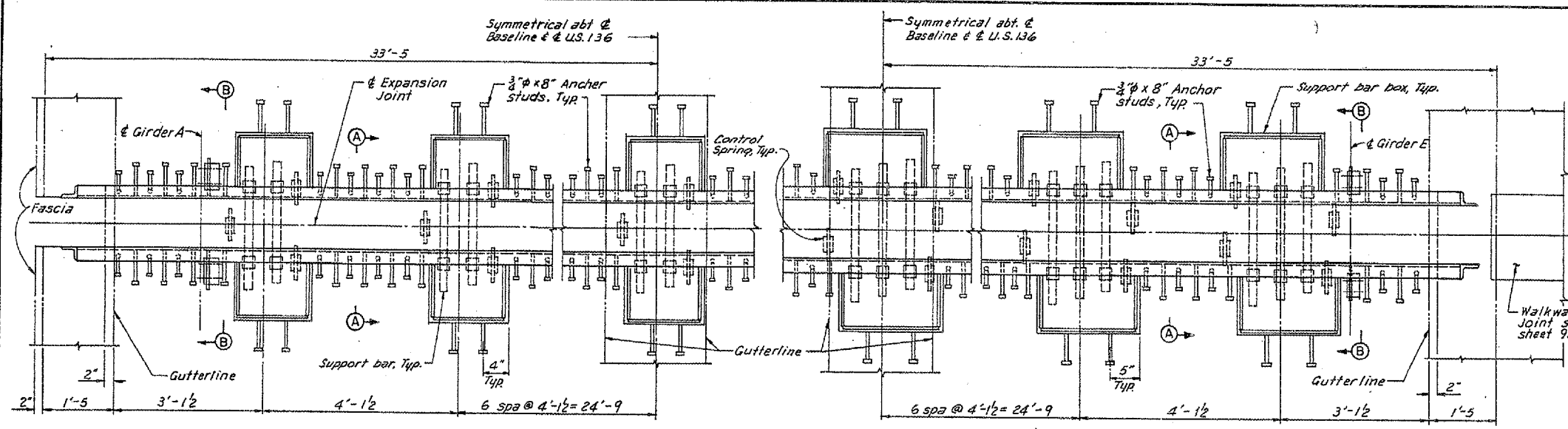


| | | | | | |
|-------------------|----------|--------------------|-------------|-----------|--------------|
| FEDERAL DIST. NO. | STATE | FED. AID PROJ. NO. | FISCAL YEAR | SHEET NO. | TOTAL SHEETS |
| | IOWA | | | 40 | 40 |
| | ILLINOIS | | | | |



EXPANSION JOINT 2, 4 & 5 (MSB-900)

EXPANSION JOINT 3 (MSB-1200)

PLAN

GENERAL NOTES:

The expansion joint seal shall be installed in accordance with the manufacturer's instructions shown on the shop drawings and in accordance with Special Provisions.

Approved No. 5 bars or deformed bar anchors (ASTM A496) may be used in lieu of stud welded anchors shown.

See Special Provisions for painting.

Plan dimensions are based on installation at 50°F. The expansion gap and other dimensions shall be adjusted during installation for compliance with any temperature change.

Furnishing painting and installing the modular joints will be paid for at the contract unit price per linear foot.

Use Acme Highway Products, MSB-900 and MSB-1200 expansion joint or Waba Maurer D-1040 and D1300 or approved equal.

Structural steel for expansion joint to be ASTM A36, unless noted.

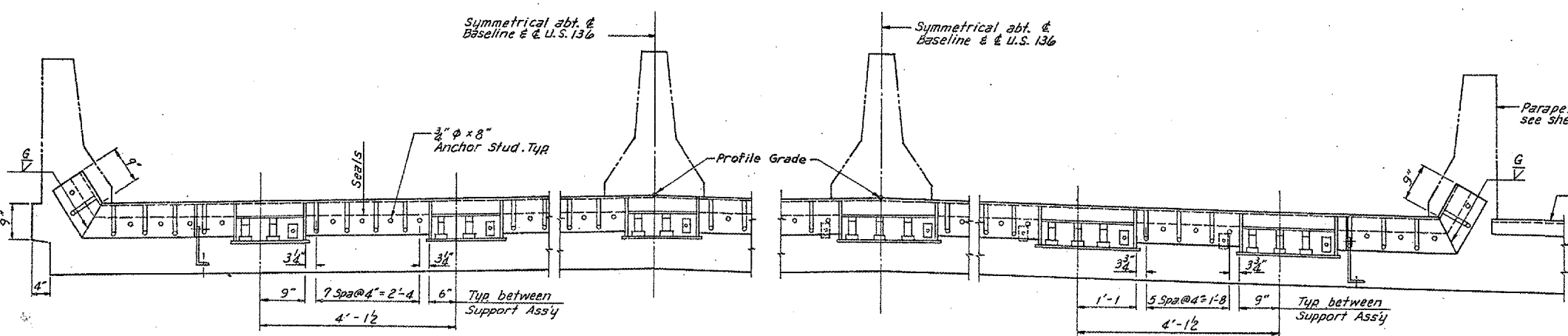
Steel extrusions shall be ASTM A-588.

All metal surfaces not embedded in concrete or not in direct contact with sealer shall be painted with zinc-rich epoxy primer.

For Expansion Joint 2, 4 and 5, expansion gap shall be increased 1/4" for each 10° fall in temperature and decreased 1/4" for each 10° rise in temperature.

For Expansion Joint 3, expansion gap shall be increased 1/4" for each 10° fall in temperature and decrease 3/4" for each 10° rise in temperature.

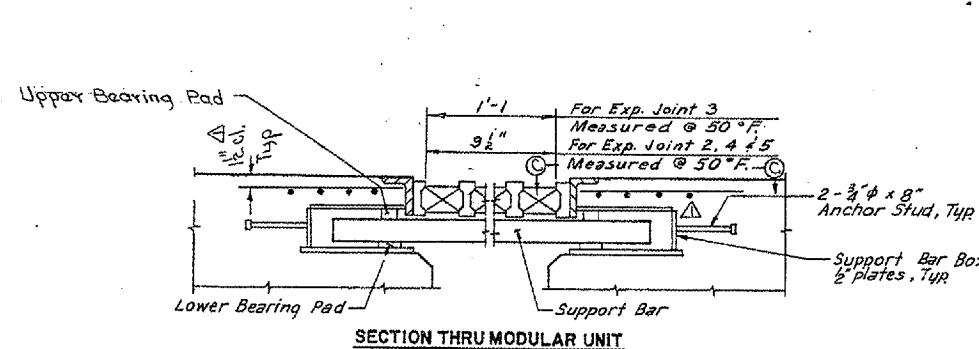
Five feet of slab each side of joint will be poured after joint is in place and after both spans each side of joint has been poured.



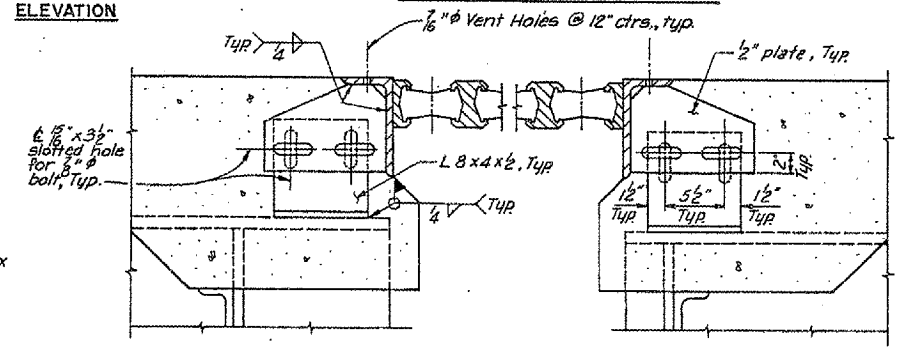
EXPANSION JOINT 2, 4 & 5 (MSB-900)

EXPANSION JOINT 3 (MSB-1200)

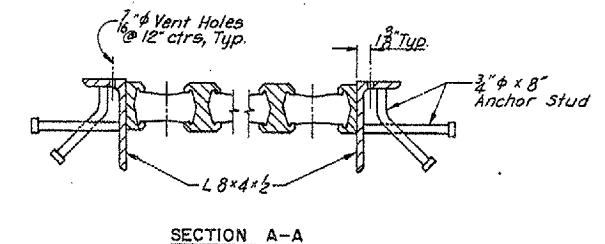
ELEVATION



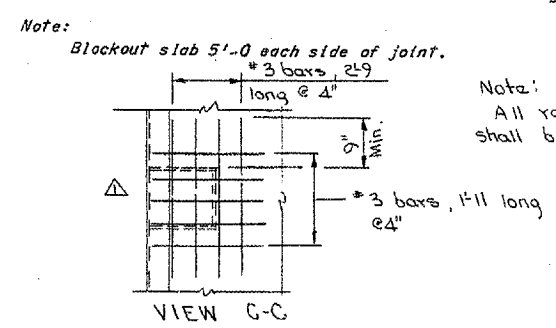
SECTION THRU MODULAR UNIT



SECTION B-B



SECTION A-A



VIEW C-C

Note: All reinforcing steel shall be epoxy coated.

FOR INFORMATION ONLY

Revised (4-25-85) Reinforcing bar mats added over support bar slide boxes as marked by Δ .



STEEL ALTERNATE
 DESIGN FOR 0° SKEW
 3340' x 64' CONTINUOUS WELDED
 PLATE GIRDER BRIDGE
 EXPANSION JOINTS 2,3,4 & 5

STA. 80+00.00
 RIVER MILE 363.8
 LEE COUNTY, IOWA

PROJECT NO. BRP-19-(3)-38-56
 HANCOCK COUNTY, ILLINOIS

DESIGN SHEET 93 OF

8787-25-00

HOWARD NEEDLES TAMMEN & BERGENDOFF **HNTB**
 MADE LCY DATE 6-82 CHECKED JEL DATE 7-82