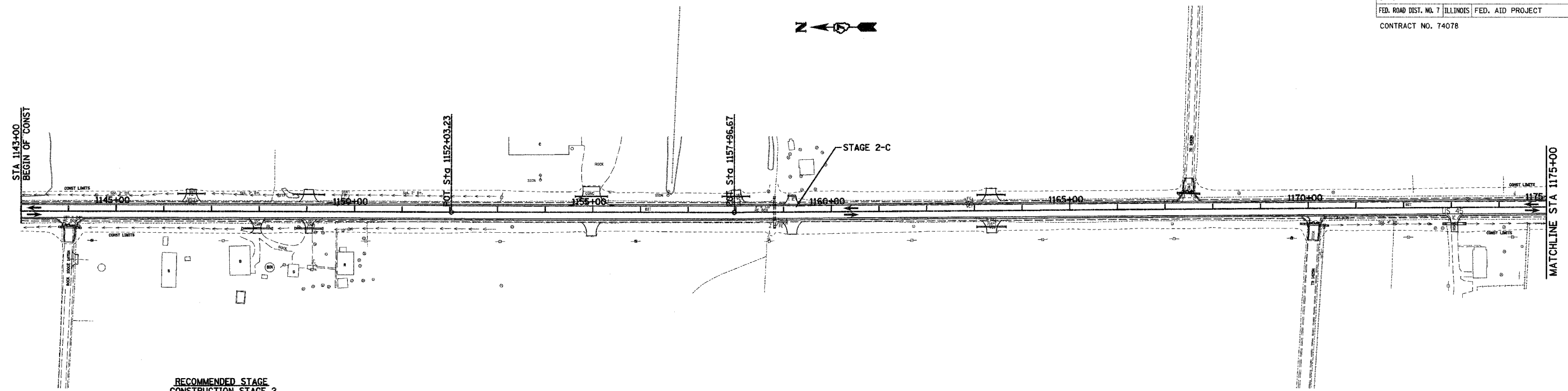
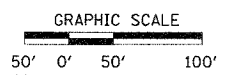
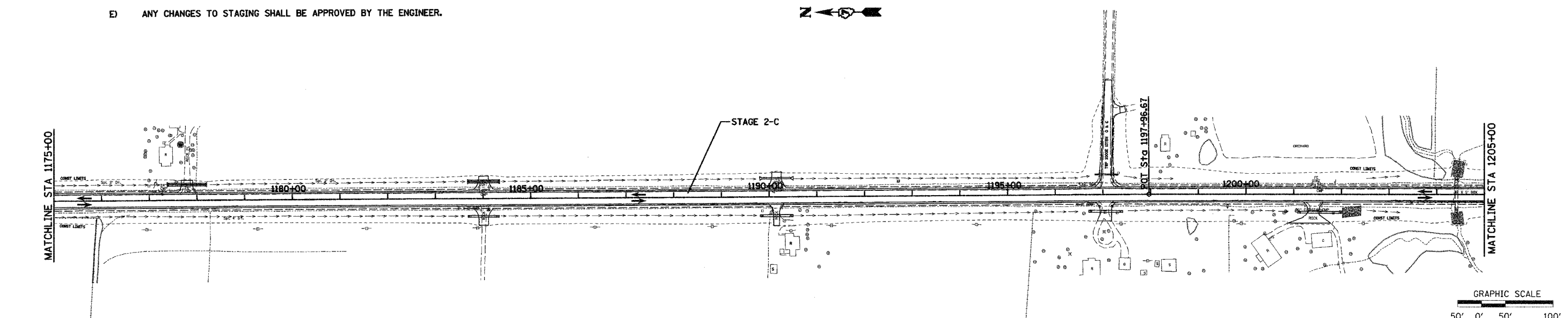


F.A.P. RTE.	SECTION	COUNTY	TOTAL SHEETS	SHEET NO.
328	5R, Y, RS-1	CLAY	242	24
STA.		TO STA.		
FED. ROAD DIST. NO. 7		ILLINOIS	FED. AID PROJECT	
CONTRACT NO. 74078				



**RECOMMENDED STAGE CONSTRUCTION STAGE 2**

- A) SHIFT TRAFFIC TO COMBINATION OF NEWLY CONSTRUCTED PAVEMENT & EXISTING PAVEMENT
- B) REMOVE DETOUR ROAD AND ANY EXISTING PAVEMENT NO LONGER IN USE.
- C) COMPLETE RESURFACING , SHOULDER WORK AND SLOPES  
 STA 1143+00 TO STA 1246+50  
 STA 1263+00 TO STA 1277+47  
 STA 1284+83 TO STA 1311+50
- D) COMPLETE DECK RECONSTRUCTION ON LITTLE WABASH RIVER BRIDGE
- E) ANY CHANGES TO STAGING SHALL BE APPROVED BY THE ENGINEER.



REVISIONS	
NAME	DATE

ILLINOIS DEPARTMENT OF TRANSPORTATION

## STAGE 2 CONSTRUCTION

SCALE: VERT.      DRAWN BY: LJ  
 HORIZ.              CHECKED BY: MAR  
 DATE: 10-21-05