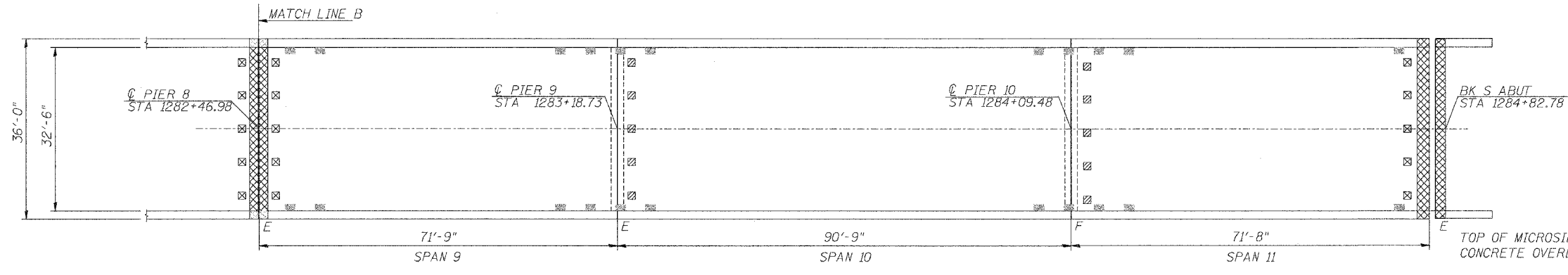
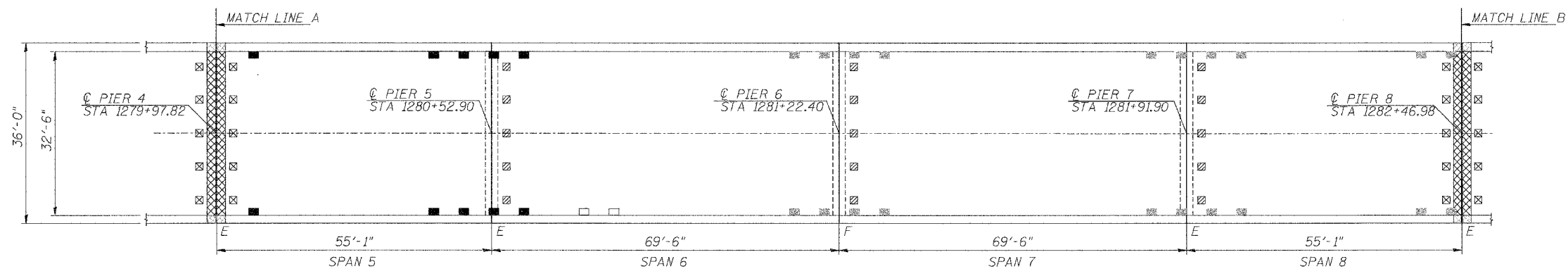
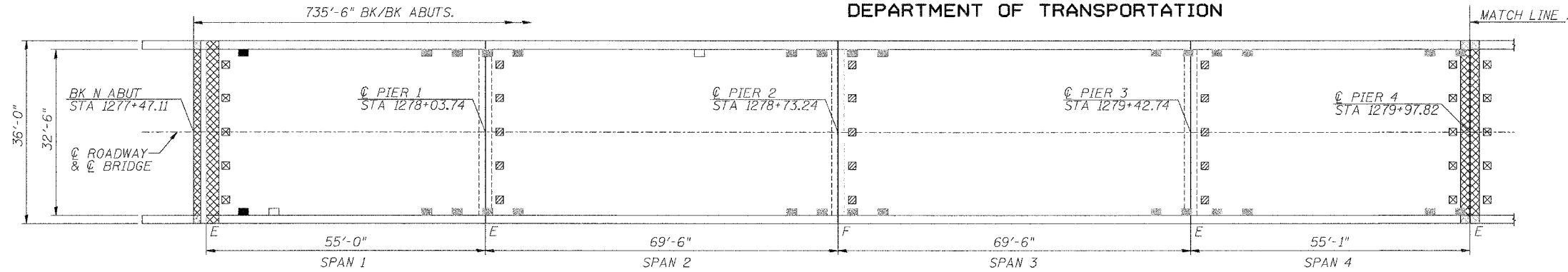


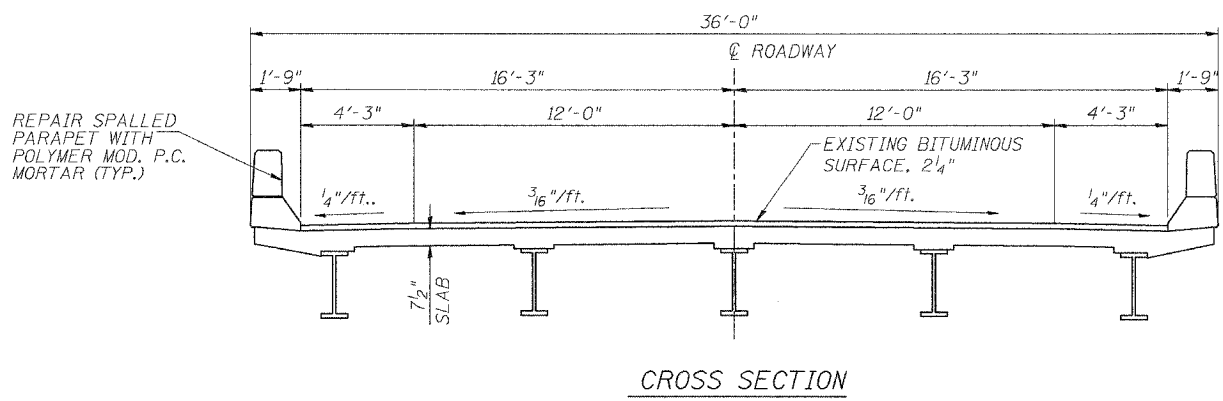
STATE OF ILLINOIS  
DEPARTMENT OF TRANSPORTATION

|                       |             |          |                   |           |
|-----------------------|-------------|----------|-------------------|-----------|
| ROUTE NO.             | SECTION     | COUNTY   | TOTAL SHEETS      | SHEET NO. |
| F.A.P. 328            | 5R, Y, RS-1 | CLAY     | 242               | 65        |
| FED. ROAD DIST. NO. 7 |             | ILLINOIS | FED. AID PROJECT- |           |
| CONTRACT NO. T4078    |             |          |                   |           |

SHEET NO. 3  
17 SHEETS



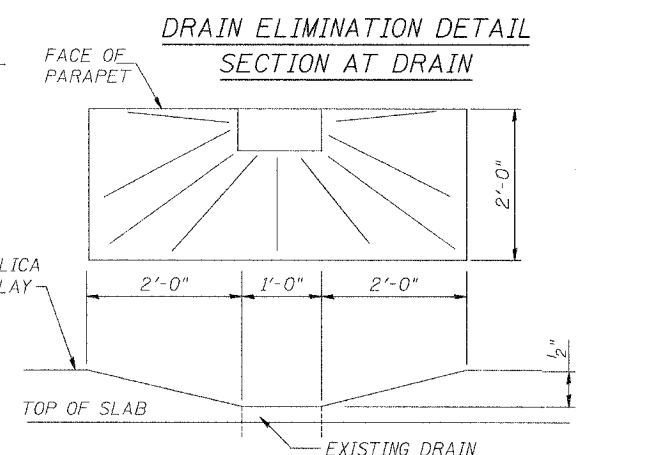
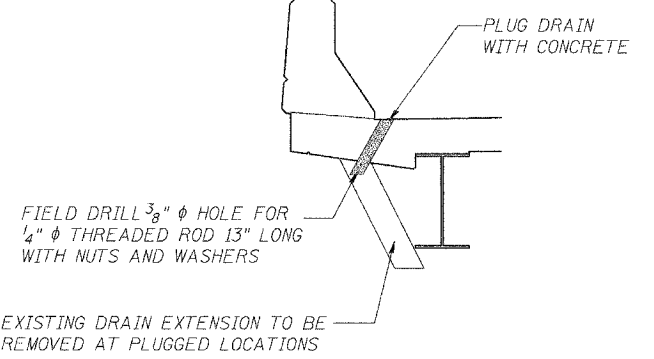
NOTES: SPANS 9, 10, AND 11 ARE COMPOSITE IN POSITIVE MOMENT REGIONS.



**LEGEND**

- EXPANSION JOINT TO BE REPLACED
- CLEAN AND PAINT EXISTING BEARINGS
- EXPANSION BEARINGS TO BE REPLACED WITH NEW ELASTOMERIC BEARINGS
- PLUG EXISTING DECK DRAINS; OTHER EXISTING DECK DRAINS NOT SHOWN.
- DAMAGED OR MISSING DRAIN EXTENSION TO BE REPLACED

NOTE: REMOVE WATERPROOFING MEMBRANE AND BITUMINOUS WEARING SURFACING; REPLACE WITH MICROSILICA CONCRETE OVERLAY.



MICROSILICA CONCRETE OVERLAY DETAIL FOR EXISTING DECK DRAINS THAT ARE TO REMAIN OPEN

|          |        |
|----------|--------|
| DESIGNED | B.W.P. |
| CHECKED  | R.P.B. |
| DRAWN    | D.J.S. |
| CHECKED  | R.P.B. |

**EXISTING STRUCTURE DETAILS  
DRAIN ELIMINATION DETAIL AND  
MICROSILICA CONCRETE DETAIL**

FAP 328 - SECTION 5BR-2  
OVER LITTLE WABASH RIVER  
CLAY COUNTY  
STATION 1281+15  
STRUCTURE NO. 013-0010