

ROUTE NO.	SECTION	COUNTY	TOTAL SHEETS	SHEET NO.	SHEET NO. 13 17 SHEETS
F.A.P. 328	5BR, VRS-1	CLAY	242	75	
FED. ROAD DIST. NO. 7	ILLINOIS	FED. AID PROJECT			

CONTRACT NO. T4078

Joint Size	"C" at 50°F	"D" at 50°F
2"	2"	1 1/2" Min.
2 1/2"	2 1/2"	1 3/4" Min.
4"	3"	2 1/2" Min.

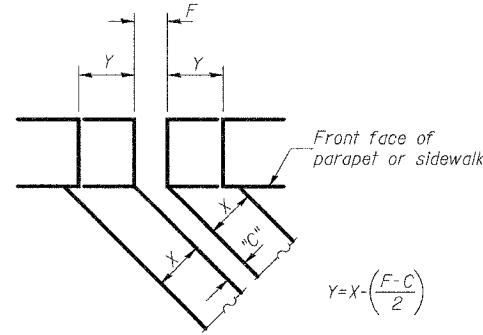
INSTALLATION NOTES

- Install continuous seal in roadway, parapet, curb, and sidewalk.
- Install anchor blocks as indicated.

NOTE A: Maximum spacing of anchor bolts shall be 12" centers.

SKREW LIMITATIONS

The details of the anchor blocks and the elastomeric membrane in the parapet, as shown, are for up to 50° skews. For skews greater than 50°, the anchor blocks and the elastomeric membrane, installed according to dimension "D", might require modifications to insure a minimum clearance of 1/2" from centerline of anchor studs to edge of parapet opening. The anchor blocks and the elastomeric membrane shall also be installed to the top of the parapet with the anchor studs spaced at ±12" cts.

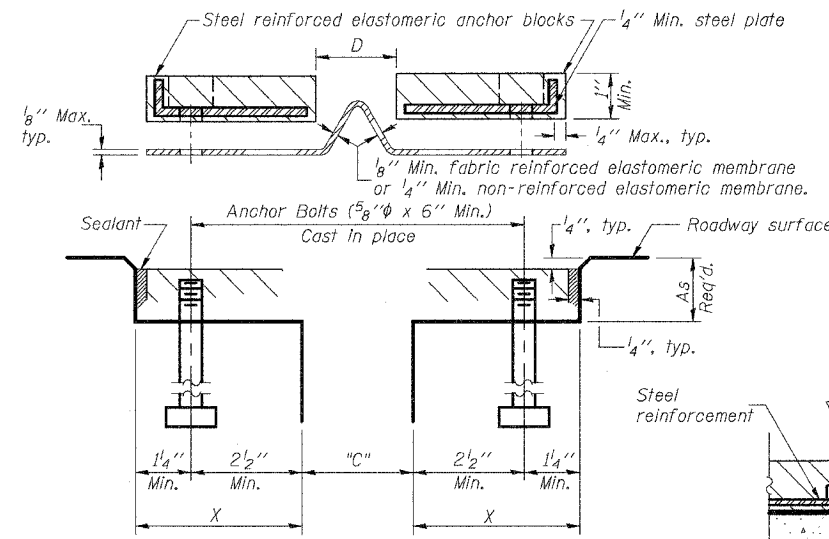


FORMING BLOCKOUT SKETCH

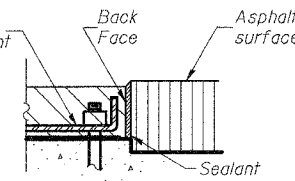
$$Y = X - \left(\frac{F - C}{2} \right)$$

For dimension "F" see sheet #

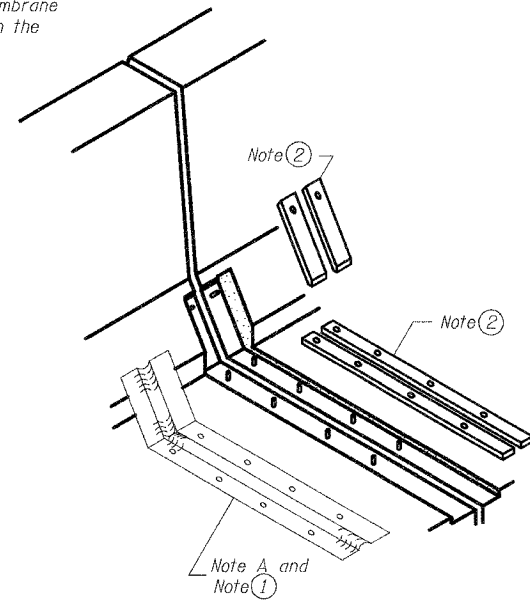
STATE OF ILLINOIS DEPARTMENT OF TRANSPORTATION



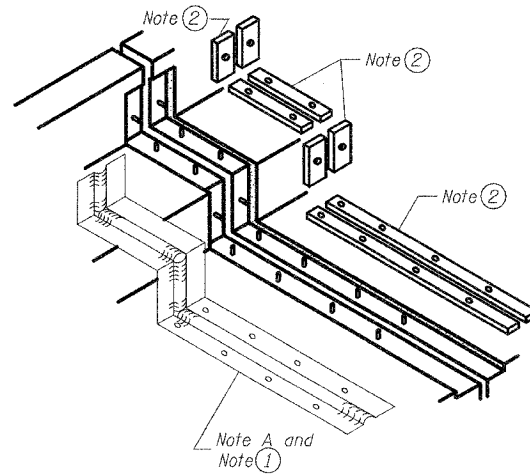
CROSS SECTION



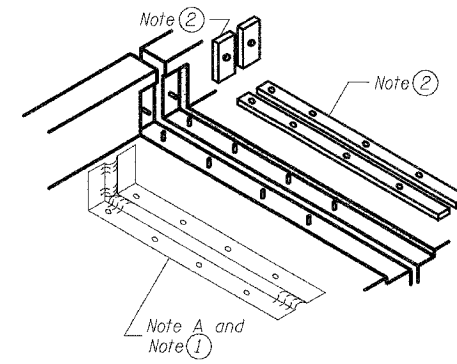
ANCHOR BLOCK WITH ASPHALT SURFACE



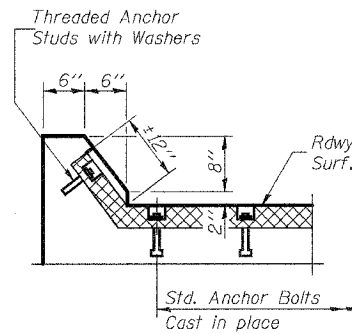
AT PARAPET



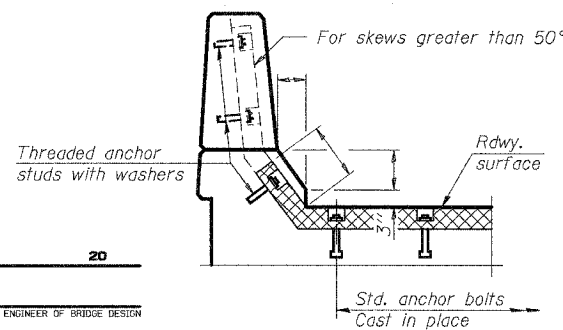
AT SIDEWALK OR MEDIAN



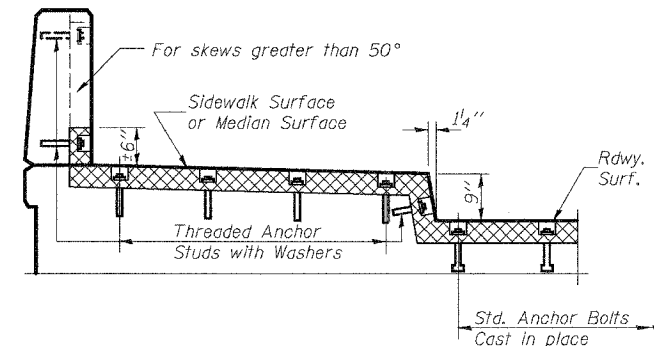
AT WALL



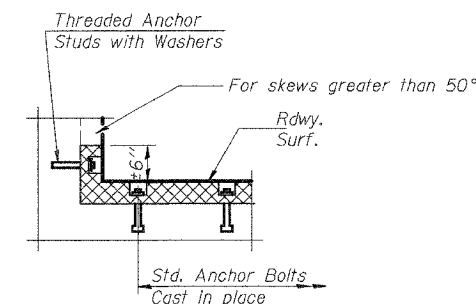
AT CURB



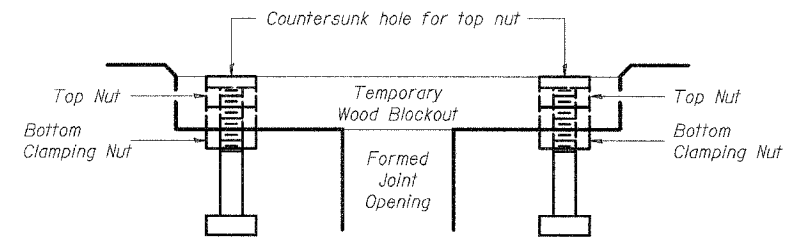
AT PARAPET



**AT SIDEWALK OR MEDIAN
TYPICAL END TREATMENTS**



AT WALL



RECOMMENDED BLOCKOUT DETAIL

Note: Stud needs to be threaded lower to allow for use of clamping nut.

Anchor studs should be stainless

CONTINUOUS SEAL TYPE NEOPRENE EXPANSION JOINTS
For 2", 2 1/2" and 4" Movement

**FAP 328 - SECTION 5BR-2
OVER LITTLE WABASH RIVER
CLAY COUNTY
STATION 1281+15
STRUCTURE NO. 013-0010**

DESIGNED - B.W.P.	20
CHECKED - R.P.B.	ENGINEER OF BRIDGE DESIGN
DRAWN - B.W.P.	PASSED
CHECKED - R.P.B.	ENGINEER OF BRIDGES AND STRUCTURES

EJ-CS 9-01-03