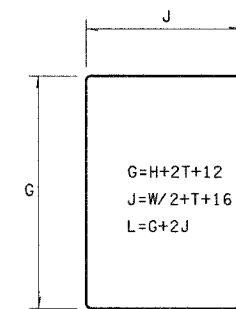
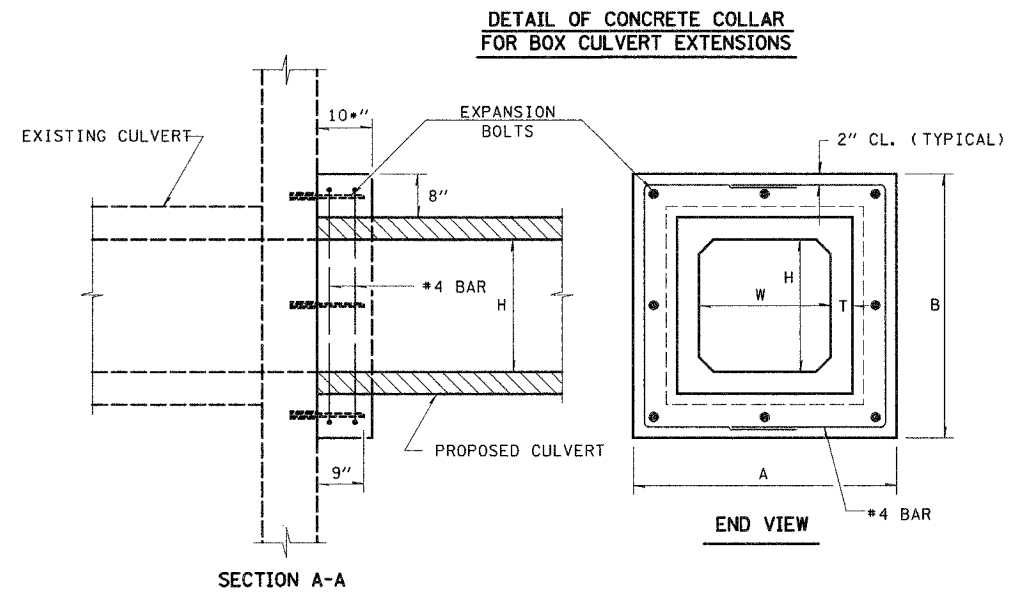


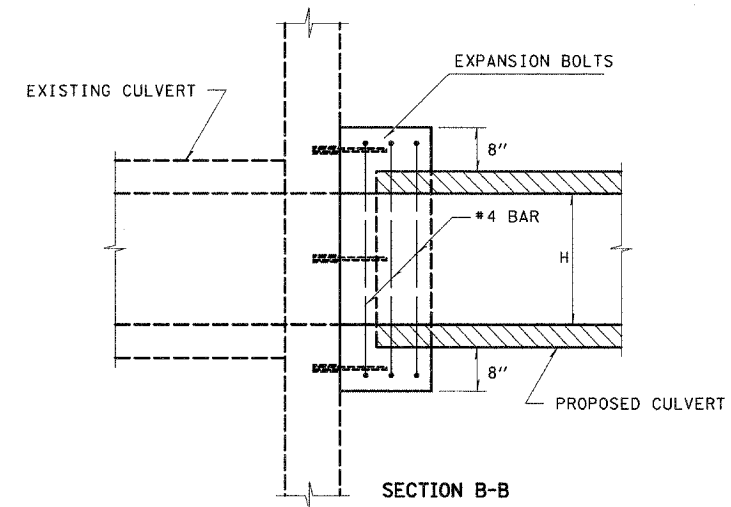
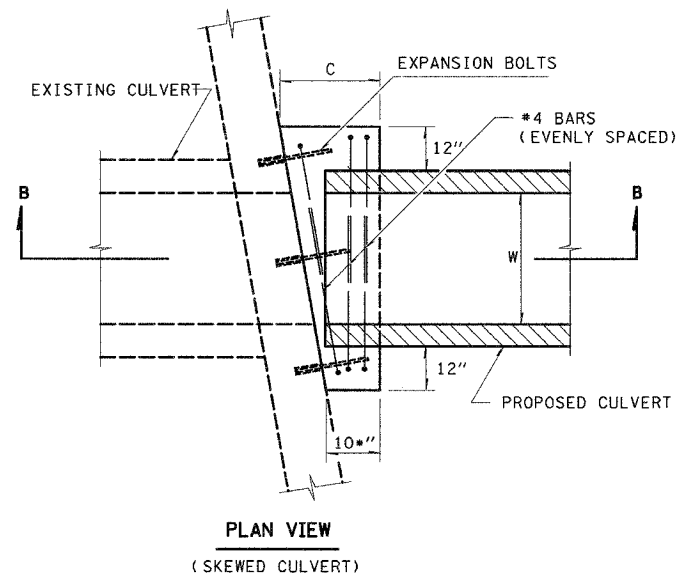
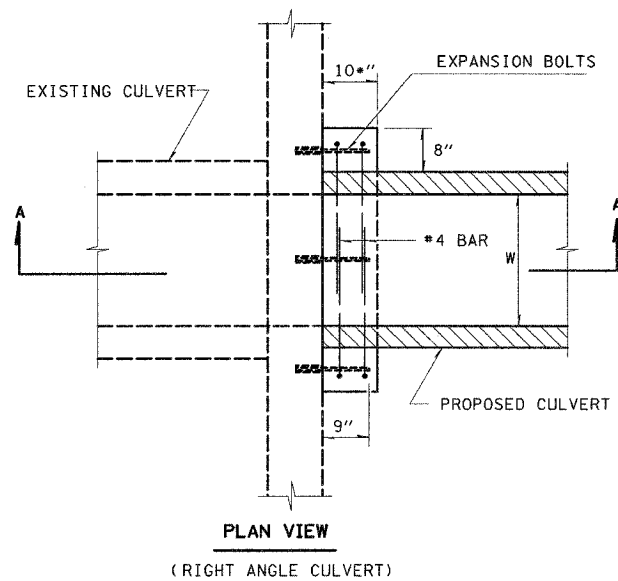
SIDE	STATION	DIMENSIONS						REINFORCEMENT BARS					EXPANSION BOLTS	VOLUME OF CONCRETE
		A	B	C	W	H	T	G	J	L	NUMBER BARS	EA		
BOTH	1304+62.98	74	74	10	48	48	5	70	45	160	4	36	16	0.5
• LT	1158+80.50	74	50	10	48	24	5	46	45	136	4	30	8	0.4
• LT	1221+20.00	102	90	10	72	60	7	86	59	204	4	45	8	0.6
• LT	1245+00.00	60	60	10	36	36	4	56	38	132	4	29	8	0.5

• USED FOR STAGE CONSTRUCTION ONLY



**BAR DETAIL**

NOTE: EXPANSION BOLTS SHALL CONSIST OF SELF-DRILLING EXPANSION SHIELDS AND HOOKED BOLTS. HOOKED BOLTS SHALL EXTEND A MINIMUM OF 9" INTO THE NEW CONCRETE.



REVISIONS	
NAME	DATE

ILLINOIS DEPARTMENT OF TRANSPORTATION  
**CONCRETE COLLAR DETAIL FOR BOX CULVERT EXTENSIONS**

SCALE: VERT. HORIZ. DATE ISSUED: 05-03-96 DRAWN BY CHECKED BY