

STATE OF ILLINOIS  
DEPARTMENT OF TRANSPORTATION

FAP RTE	SECTION	COUNTY	TOTAL SHEETS	SHEET NO
328	5R, Y, RS-1	CLAY	242	90
STA		TO STA		
ILLINOIS		US 45		

CONTRACT NO. 74078

**GENERAL NOTES**

Class SI Concrete shall be used throughout.

Reinforcement shall conform to the requirements of AASHTO M-31 or M-53 Grade 60.

Exposed edges shall be chamfered  $\frac{3}{4}$ "

Steps shall be Gray Cast Iron conforming to the requirements of Standard 602701. Steps will not be paid for separately but will be considered as included in the contract unit price per cubic yard for Class SI Concrete and no additional compensation will be allowed.

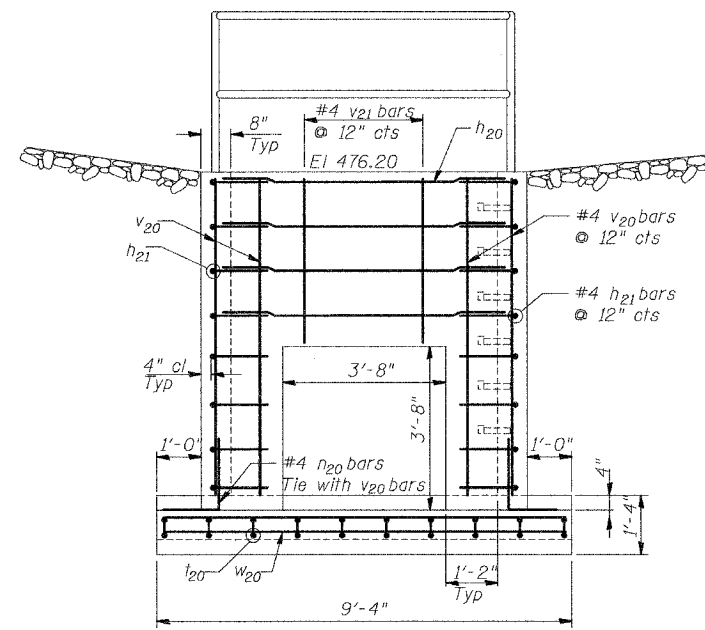
Steps shall be embedded into the wall a minimum of 3 inches. Steps shall not be extended on the outside.

Steel pipe shall conform to the requirements of ASTM A-120.

All posts, railing, & sleeves shall be galvanized after shop fabrication in accordance with AASHTO M-111 and ASTM A-385.

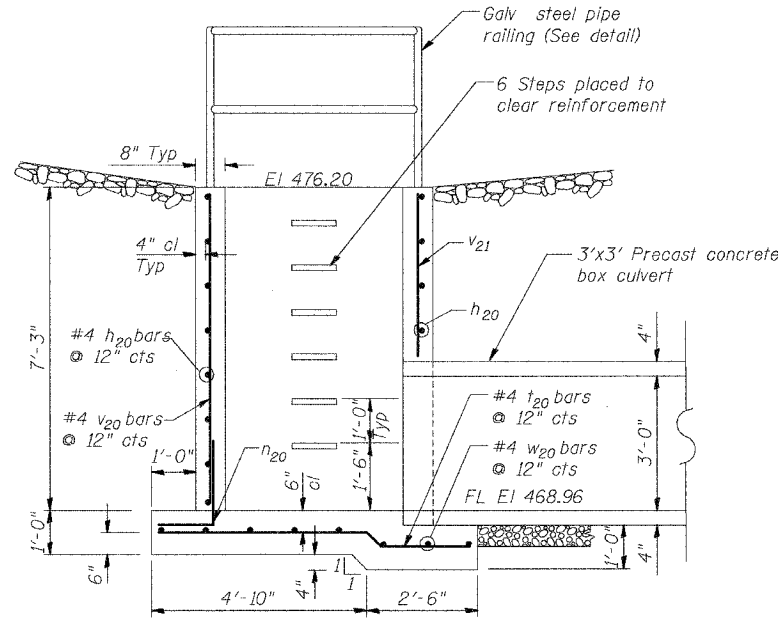
Galvanized material shall not be painted.

Place 1 - 3"  $\phi$  weep hole on north, south, and west walls, 1' up from flow line elevation.



**ELEVATION**

(Looking West)

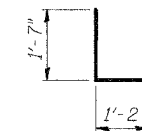


**ELEVATION**

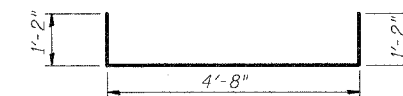
(Looking North)

**Bar Lap**

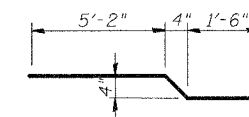
#4 bars = 1'-1"



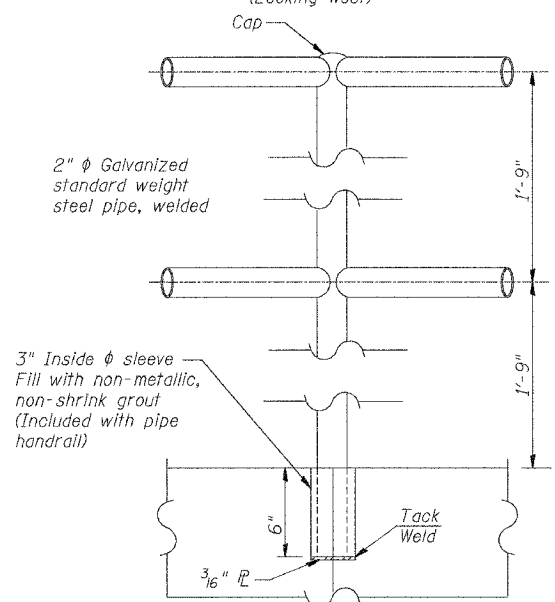
**BAR n20**



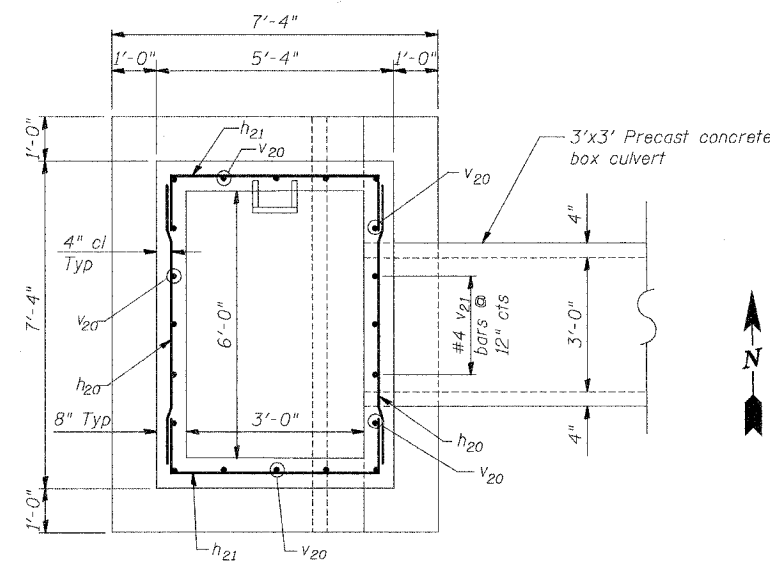
**BAR h21**



**BAR t20**



**PIPE RAILING DETAIL**



**PLAN**

**BILL OF MATERIAL**

Bar	No.	Size	Length	Shape
h20	13	#4	6'-6"	—
h21	16	#4	7'-0"	—
n20	19	#4	2'-9"	L
t20	10	#4	7'-4"	—
v20	19	#4	7'-1"	—
v21	3	#4	3'-7"	—
w20	8	#4	9'-0"	—
Class SI Concrete			Cu Yd	6.2
Reinforcing Bars			Lb	360
Pipe Handrail			Foot	21

**SPECIAL DROP INLET #2**  
**FAP 328 (US 45)**  
**CLAY COUNTY STA 1245+00**

**HR** HURST-ROSCH ENGINEERS, INC.  
CONSULTING ENGINEERS & ARCHITECTS  
1400 E. TREMONT ST.  
HILLSBORO, ILLINOIS 62049

DESIGNED	JLG
CHECKED	RPB
DRAWN	BAD
CHECKED	RPB