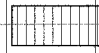

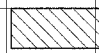


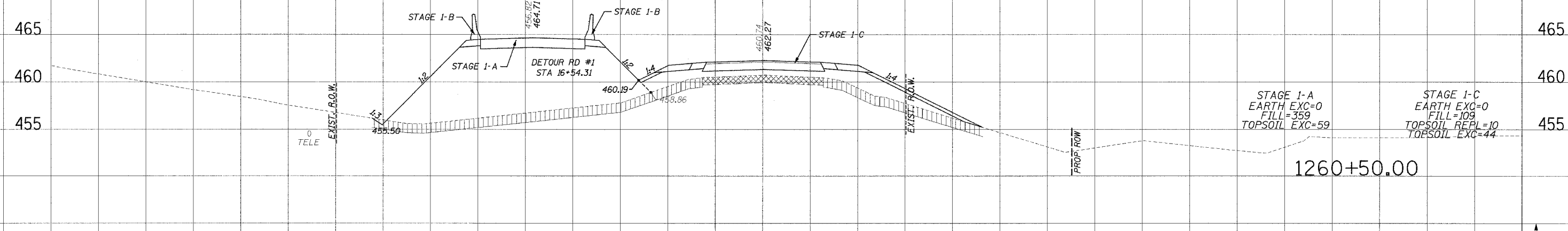
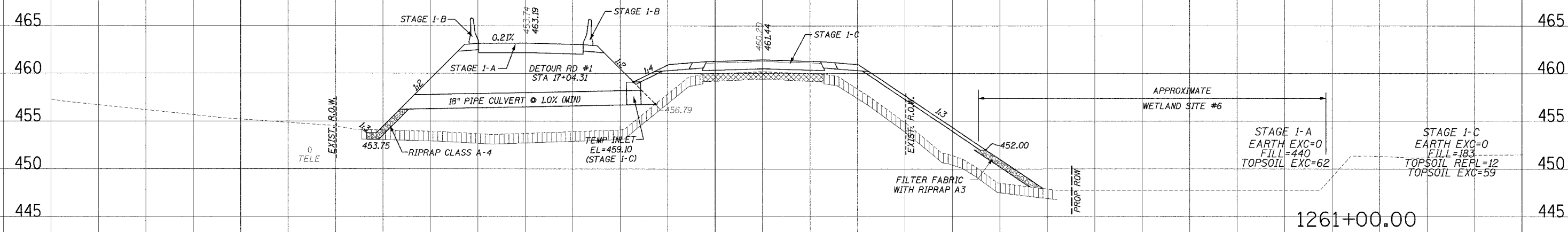
F.A. RYL.	SECTION	COUNTY	TOTAL SHEETS	SHEET NO.
328	5R, Y, RS-1	CLAY	242	104
STA.		TO STA.		
FED. ROAD DIST. NO.		SLIDING	FED. AID PROJECT	
CONTRACT NO. 74078				

LEGEND

-  TOPSOIL EXCAVATION
-  PAVEMENT REMOVAL
-  PAVEMENT TO BE BROKEN & LEFT IN PLACE

PLANNED
 NOTE BOOK
 TEMPLATE
 AREAS CHECKED

PLANNED
 NOTE BOOK
 TEMPLATE
 AREAS CHECKED



100 50 0 50 100 150

FAP RTE 328 (U.S.45) – STAGE 1