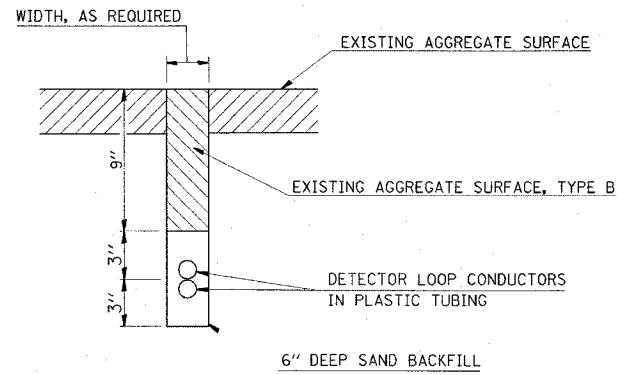


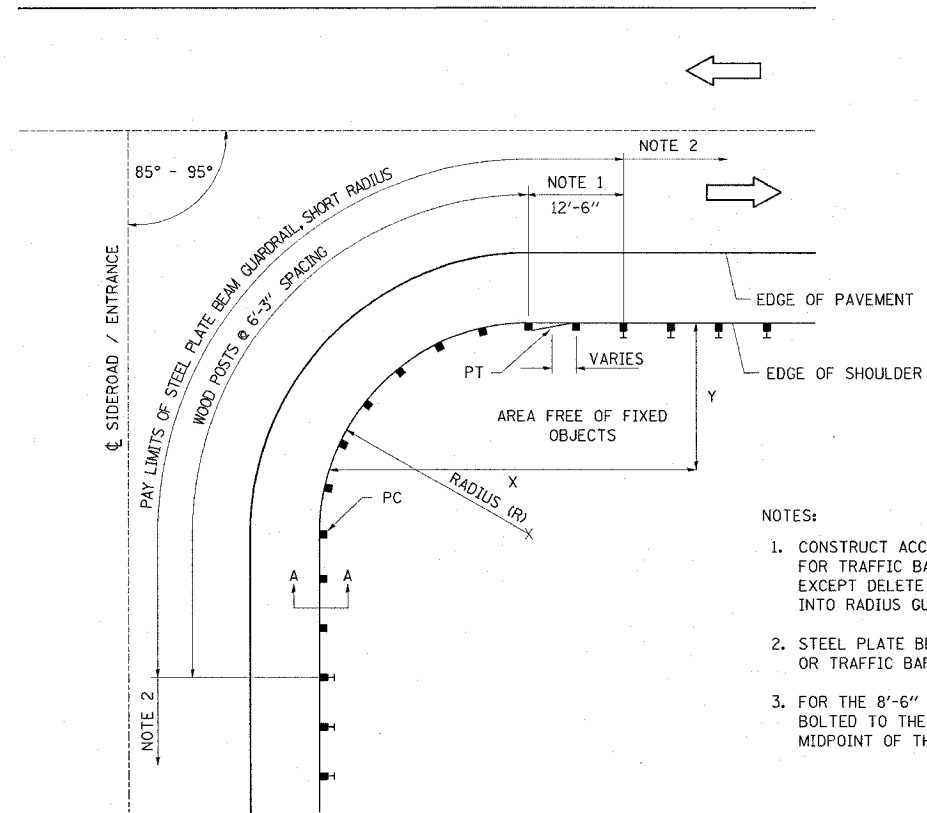
F.A.P. RTE.	SECTION	COUNTY	TOTAL SHEETS	SHEET NO.
314	108BR-I	MADISON	123	25
STA.		TO STA.		
FED. ROAD DIST. NO.		ILLINOIS FED. AID PROJECT		



DETECTOR LOOP INSTALLED IN TRENCH

INSTALLATION IS TO BE DONE IN CONFORMANCE WITH THE REQUIREMENTS OF THE PLANS AND SECTION 886 OF THE STANDARD SPECIFICATIONS WITH THE FOLLOWING EXCEPTIONS:

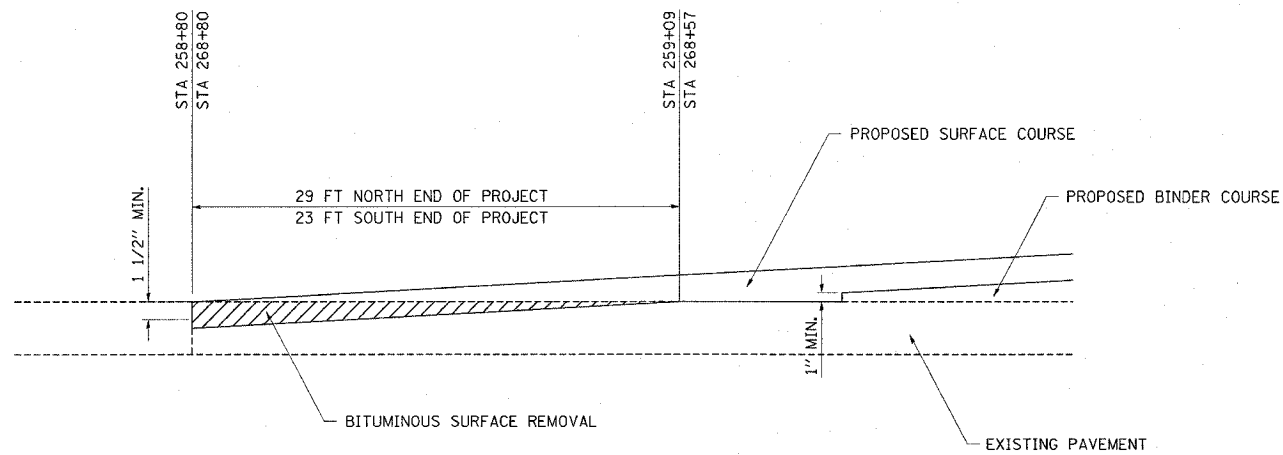
1. SLOTS ARE TO BE TRENCHED INSTEAD OF SAWED.
2. THIS WORK SHALL NOT BE PAID FOR SEPARATELY BUT SHALL BE INCLUDED IN THE COST OF TEMPORARY BRIDGE TRAFFIC SIGNALS - 1 EACH.



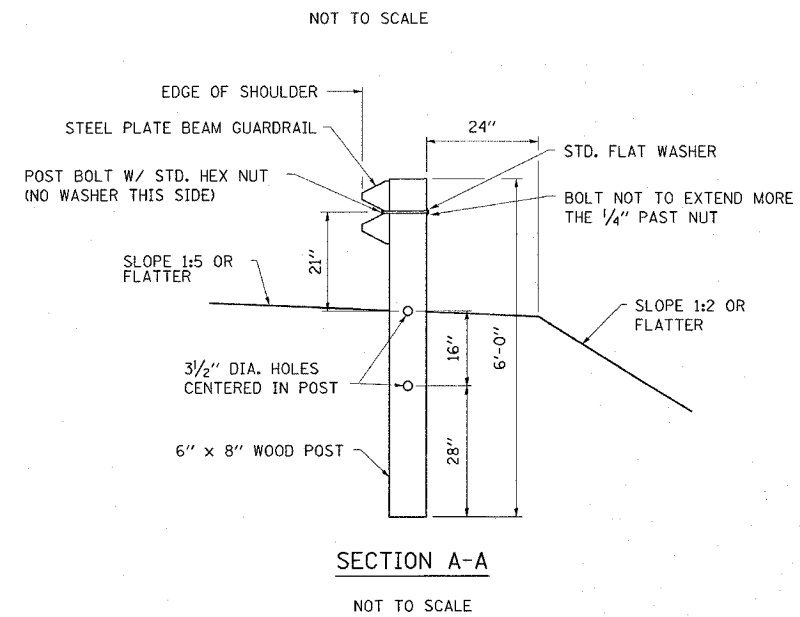
PLAN VIEW SHORT RADIUS GUARDRAIL DETAIL

NOTES:

1. CONSTRUCT ACCORDING TO STANDARD 631011 FOR TRAFFIC BARRIER TERMINAL TYPE 2, EXCEPT DELETE END SECTION AND SPLICE INTO RADIUS GUARDRAIL.
2. STEEL PLATE BEAM GUARDRAIL TYPE A, TYPE B, OR TRAFFIC BARRIER TERMINAL AS SPECIFIED.
3. FOR THE 8'-6" RADIUS, THE RAIL IS NOT BOLTED TO THE POST LOCATED AT THE MIDPOINT OF THE CURVE.



BUTT JOINT DETAIL
SN 060-0106(E) 0334(P)



SECTION A-A

NOT TO SCALE

INSTALLATION CHARACTERISTICS PER DESIGN RADIUS			
R	NO. OF WOOD POSTS	X	Y
8'-6"	5 (NOTE 3)	25'	15'
17'-0"	6	30'	15'
25'-6"	8	40'	20'
35'-0"	11	50'	20'

SHORT RADIUS GUARDRAIL DETAIL TO BE USED ON BOTH STRUCTURES
SN 060-0334 SECTION 108BR-I &
SN 060-0339 SECTION 111BR-I

REVISIONS	
NAME	DATE

ILLINOIS DEPARTMENT OF TRANSPORTATION

MISCELLANEOUS DETAILS

FAP ROUTE 314
SECTION 108BR-I
MADISON COUNTY
SN 060-0106(E) 0334(P)

PLOT DATE = 11/4/2005
FILE NAME = c:\projects\aed82781\plan\pl10271a86.dgn
PLOT SCALE = 50.000 / 1"
REFERENCE = SHEET