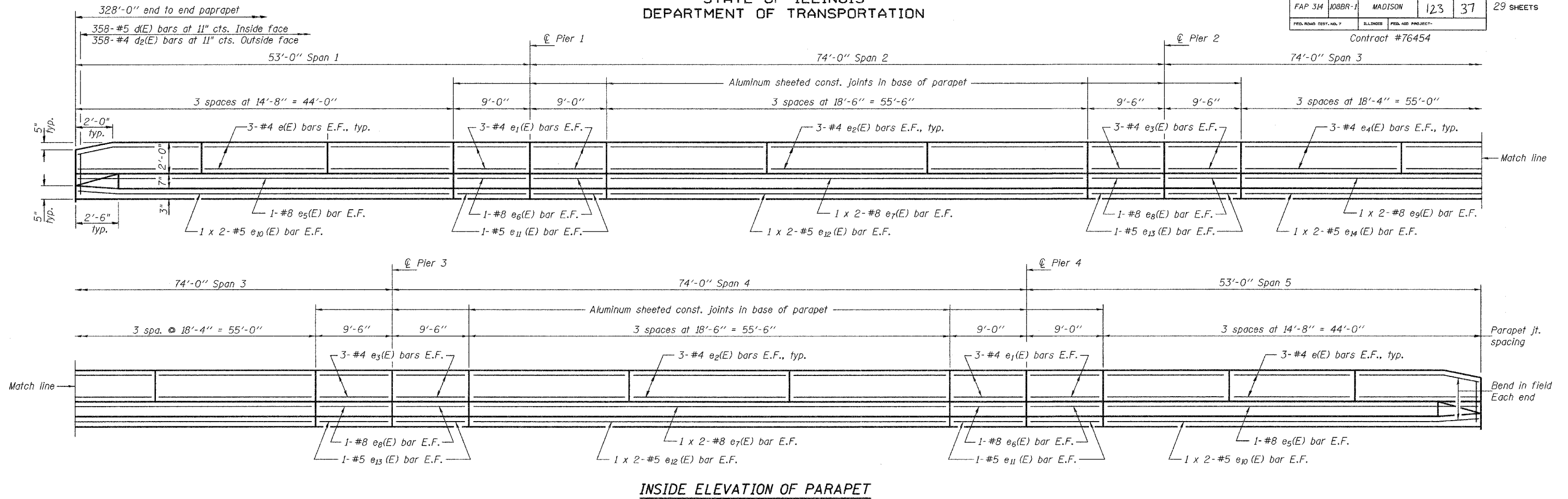
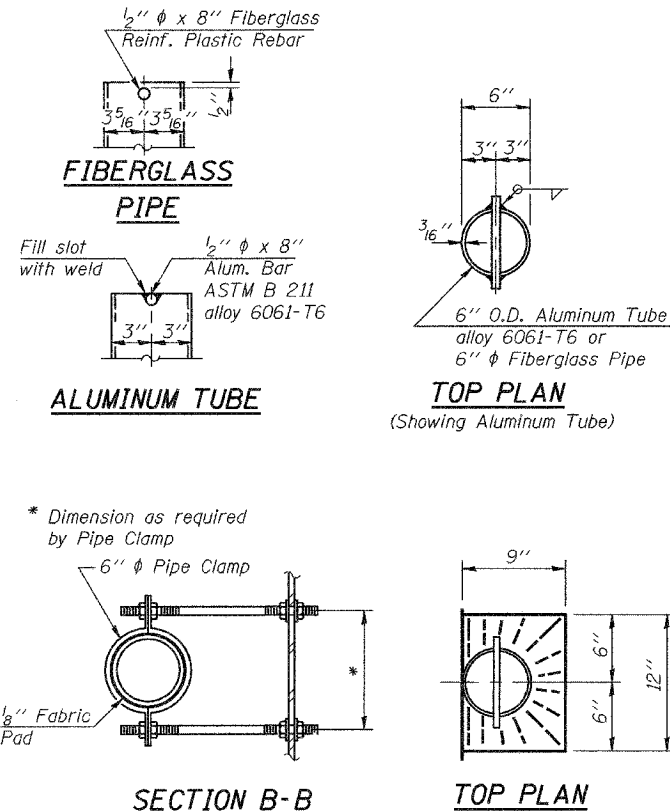
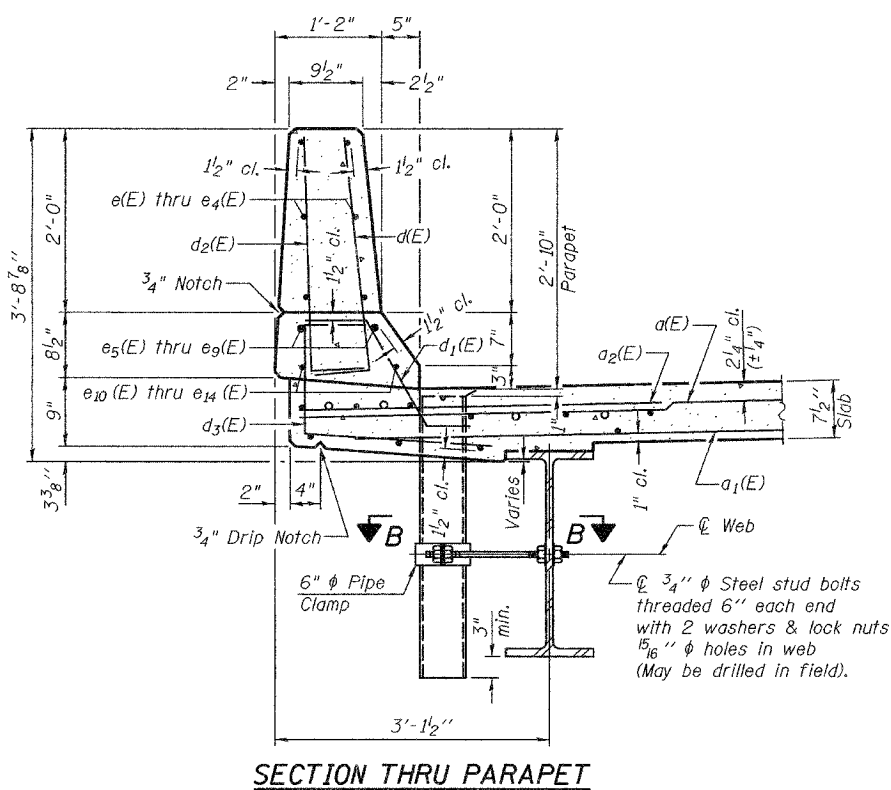


STATE OF ILLINOIS
DEPARTMENT OF TRANSPORTATION

ROUTE NO.	SECTION	COUNTY	TOTAL SHEETS	SHEET NO.	SHEET NO. 9 29 SHEETS
FAP 314	108BR-1	MADISON	123	37	
FED. ROAD DIST. NO. 7	ILLINOIS	FED. AID PROJECT	Contract #76454		



Notes: The exterior surfaces of the floor drains shall be painted with the finish coat as specified in the special provisions for Cleaning and Painting New Metal Structures. The exterior surfaces of the drains shall be cleaned according to Steel Structures Painting Council's Spec. SSPC-SPI prior to painting. Fiberglass pipe shall conform to ASTM D 2996, with short-time rupture strength hoop tensile stress of 30,000 psi minimum. Bars indicated thus 1 x 2-#5 etc. indicates 1 line of bars with 2 lengths per line.



MIN. BAR LAPS
 #5 bar = 1'-8"
 #8 bar = 3'-5"

DESIGNED	Curt M. Evoy
CHECKED	Tom L. Kurtenbach
DRAWN	h.t. duong
CHECKED	CME/TLK

November 17, 2005

EXAMINED *Thomas J. Domagala*
ENGINEER OF BRIDGE DESIGN

PASSED *Ralph E. Arduini*
ENGINEER OF BRIDGES AND STRUCTURES

SUPERSTRUCTURE DETAILS
 F.A.P. RTE. 314 - SEC. 108BR-1
 MADISON COUNTY
 STATION 263+51
 STRUCTURE NO. 060-0334