

STATE OF ILLINOIS
DEPARTMENT OF TRANSPORTATION

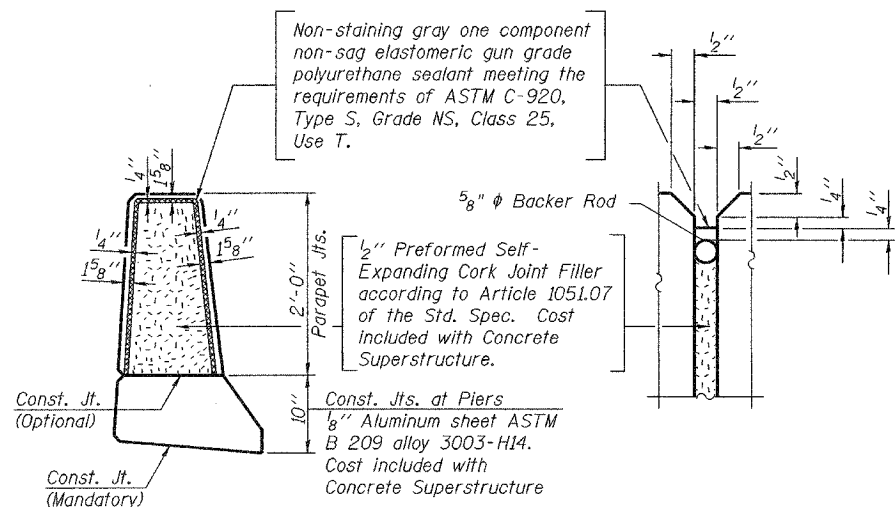
ROUTE NO.	SECTION	COUNTY	TOTAL SHEETS	SHEET NO.	SHEET NO. 10 29 SHEETS
FAP 314	108BR-1	MADISON	123	38	
FED. ROAD DIST. NO. 7	ILLINOIS		FED. AID PROJECT-		

Contract #76454

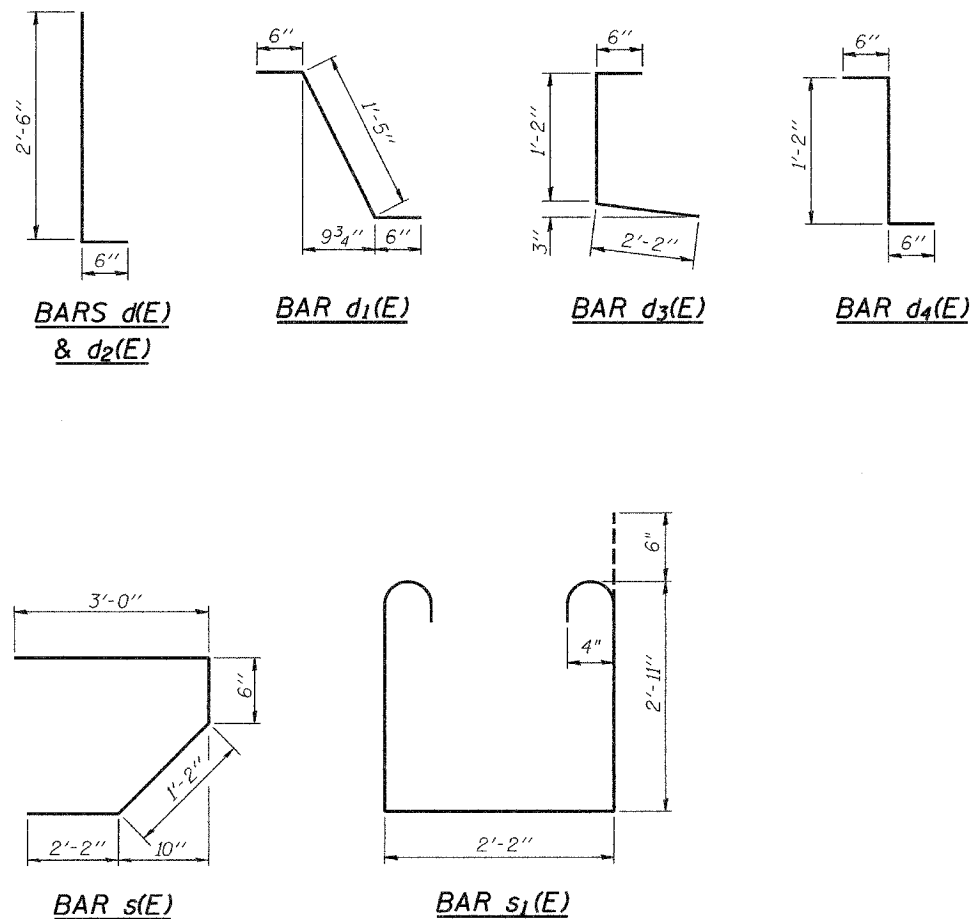
**SUPERSTRUCTURE
BILL OF MATERIAL**

Bar	No.	Size	Length	Shape
d(E)	1050	#5	19'-1"	—
d ₁ (E)	788	#5	18'-5"	—
d ₂ (E)	1050	#6	6'-0"	—
b(E)	504	#5	29'-4"	—
b ₁ (E)	76	#6	38'-0"	—
b ₂ (E)	76	#6	38'-8"	—
b ₃ (E)	468	#5	27'-3"	—
d(E)	716	#5	3'-0"	—
d ₁ (E)	704	#5	2'-5"	—
d ₂ (E)	716	#4	3'-0"	—
d ₃ (E)	716	#4	3'-10"	—
d ₄ (E)	12	#5	2'-2"	—
e(E)	72	#4	14'-4"	—
e ₁ (E)	48	#4	8'-8"	—
e ₂ (E)	72	#4	18'-2"	—
e ₃ (E)	48	#4	9'-2"	—
e ₄ (E)	36	#4	18'-0"	—
e ₅ (E)	8	#8	43'-8"	—
e ₆ (E)	16	#8	8'-8"	—
e ₇ (E)	16	#8	29'-6"	—
e ₈ (E)	16	#8	9'-2"	—
e ₉ (E)	8	#8	29'-1"	—
e ₁₀ (E)	16	#5	22'-10"	—
e ₁₁ (E)	16	#5	8'-8"	—
e ₁₂ (E)	16	#5	28'-7"	—
e ₁₃ (E)	16	#5	9'-2"	—
e ₁₄ (E)	8	#5	28'-3"	—
m(E)	8	#6	18'-6"	—
m ₁ (E)	12	#6	19'-3"	—
m ₂ (E)	24	#6	8'-3"	—
m ₃ (E)	8	#6	6'-3"	—
m ₄ (E)	4	#6	2'-9"	—
m ₅ (E)	4	#6	2'-11"	—
s(E)	76	#5	6'-10"	—
s ₁ (E)	76	#4	9'-0"	—
Reinforcement Bars, Epoxy Coated	Pound		99800	
Concrete Superstructure	Cu. Yds.		404.7	

Reinforcement bars designated (E) shall be epoxy coated.



PARAPET JOINT DETAILS



DESIGNED	Curt M. Evoy
CHECKED	Tom L. Kurtenbach
DRAWN	h.t. duong
CHECKED	CME/TLK

November 17, 2005
EXAMINED *Thomas J. Domagala*
PASSED *Ralph E. Anderson*
ENGINEER OF BRIDGE DESIGN
ENGINEER OF BRIDGES AND STRUCTURES

SUPERSTRUCTURE DETAILS
F.A.P. RTE. 314 - SEC. 108BR-1
MADISON COUNTY
STATION 263+51
STRUCTURE NO. 060-0334