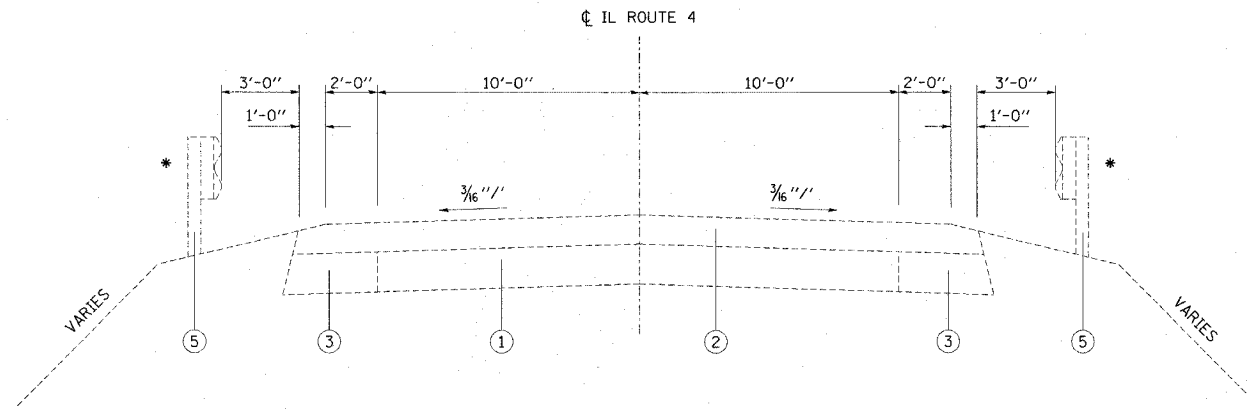


F.A.P. RTE.	SECTION	COUNTY	TOTAL SHEETS	SHEET NO.
314	111BR-I	MADISON	123	77
STA.		TO STA.		
FED. ROAD DIST. NO.	ILLINOIS	FED. AID PROJECT		

PLAN	DATE
BY	
REVIEWED	
PLotted	
NOTE BOOK	
NO.	



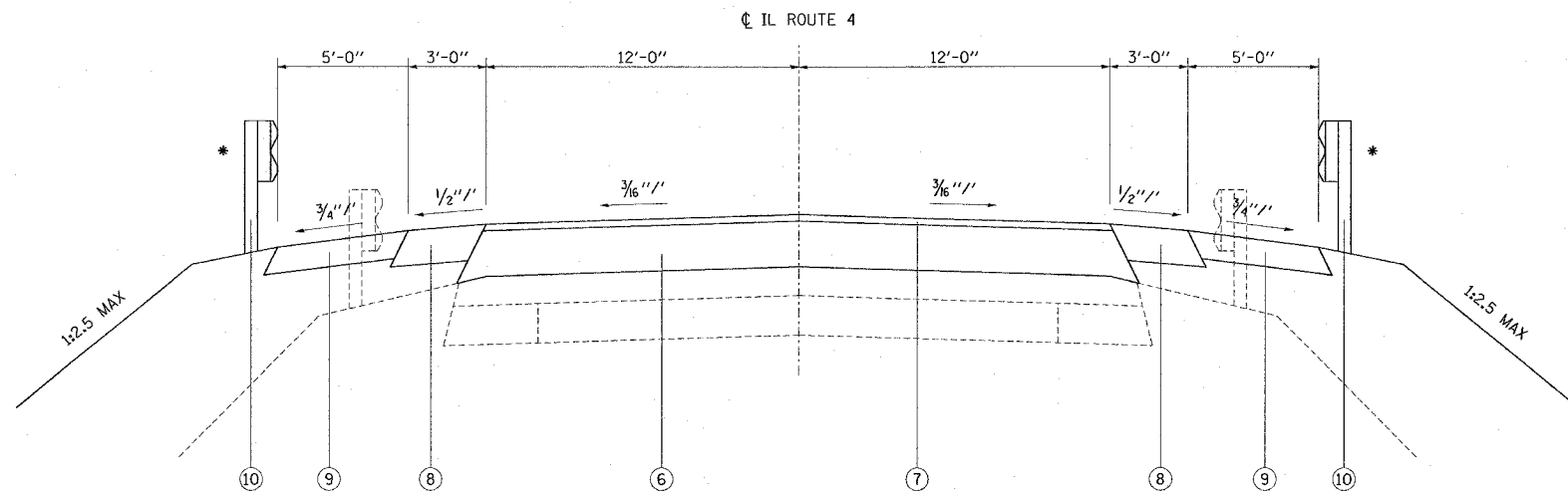
EXISTING TYPICAL SECTION

STA 157+25.0 TO STA 161+01.9
STA 161+78.9 TO STA 166+75.0

* STA 159+60.3 TO STA 161+01.9 RT
STA 161+78.9 TO STA 163+34.1 RT
STA 159+97.3 TO STA 161+01.9 LT
STA 161+78.9 TO STA 163+21.0 LT

LEGEND

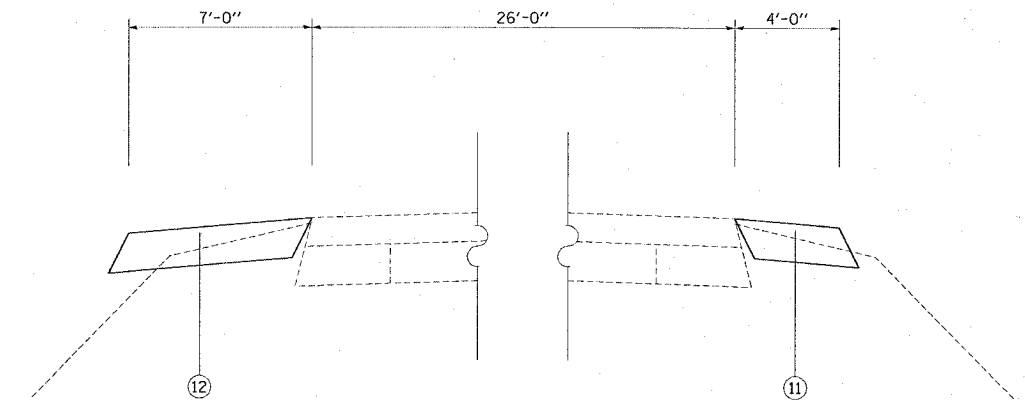
- ① EXISTING PCC PAVEMENT
- ② EXISTING RESURFACING
- ③ EXISTING PCC BASE COURSE WIDENING - 9"
- ④ EXISTING AGGREGATE SHOULDER - 6"
- ⑤ EXISTING GUARDRAIL
- ⑥ PROPOSED BITUMINOUS BINDER COURSE - VARIES
- ⑦ PROPOSED BITUMINOUS SURFACE COURSE - 1 1/2 "
- ⑧ PROPOSED BITUMINOUS SHOULDER - 8"
- ⑨ PROPOSED AGGREGATE SHOULDER - 6"
- ⑩ PROPOSED GUARDRAIL
- ⑪ PROPOSED BITUMINOUS BASE COURSE WIDENING - 8"
- ⑫ PROPOSED BITUMINOUS BASE COURSE - 8"



PROPOSED TYPICAL SECTION

STA 157+25.0 TO STA 160+51.0
STA 162+29.0 TO STA 166+75.0

* STA 158+56.7 TO STA 160+51.0 RT
STA 162+29.0 TO STA 163+65.0 RT
STA 158+79.8 TO STA 160+51.0 LT
STA 162+29.0 TO STA 164+23.3 LT



PROPOSED WIDENING FOR STAGE CONSTRUCTION

STA 158+00 TO STA 158+65
STA 164+53 TO STA 165+50

STA 159+00 TO STA 160+93
STA 162+19 TO STA 164+00

REVISIONS	
NAME	DATE

**ILLINOIS DEPARTMENT OF TRANSPORTATION
TYPICAL SECTIONS**

FAP ROUTE 314
SECTION 111BR-I
MADISON COUNTY
SN 060-0112(E) 0339(P)

DRAWN BY:

PLOT DATE: 10/26/2005