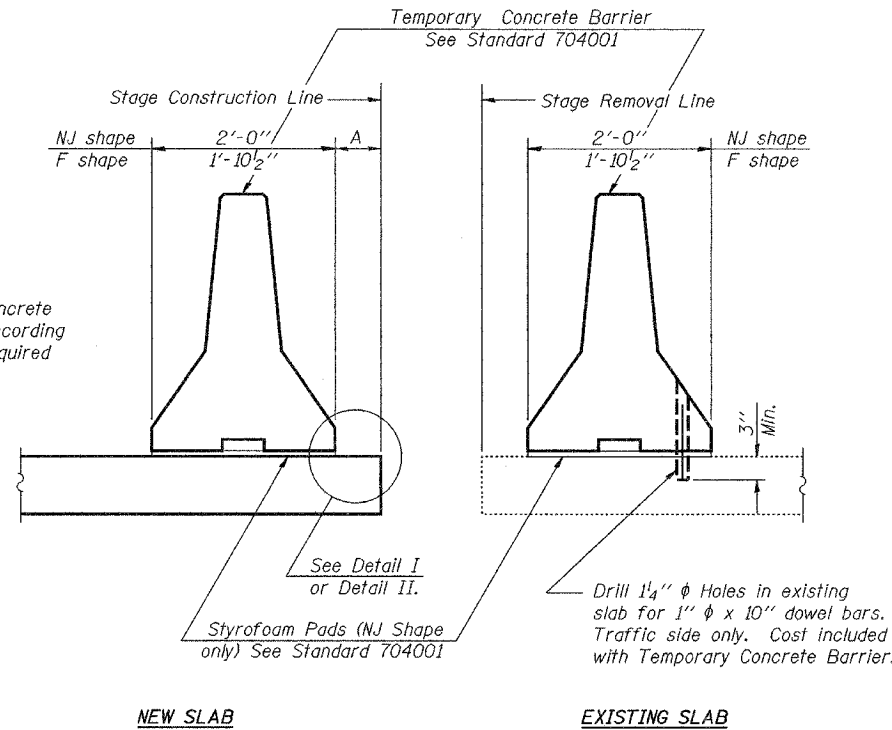


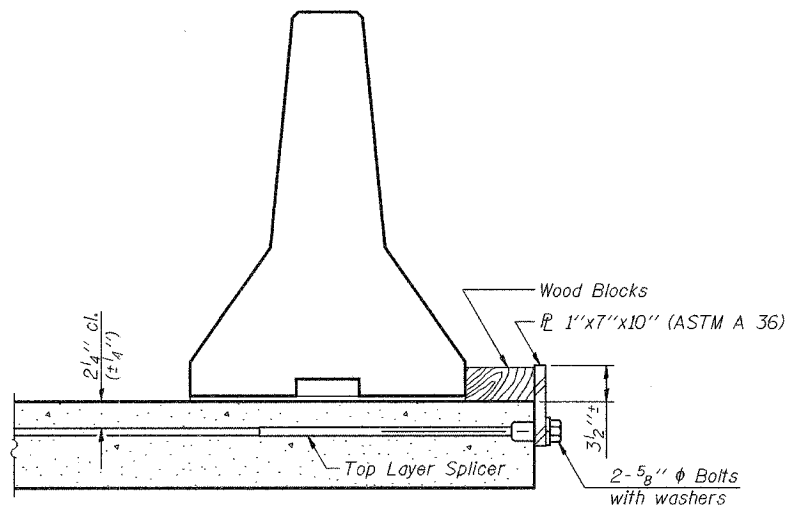
STATE OF ILLINOIS
DEPARTMENT OF TRANSPORTATION

ROUTE NO.	SECTION	COUNTY	TOTAL SHEETS	SHEET NO.
FAP 314	111BR-1	MADISON	123	94
FED. ROAD DIST. NO. 7		ILLINOIS	FED. AID PROJECT-	

SHEET NO. 4
17 SHEETS
Contract No. 76454

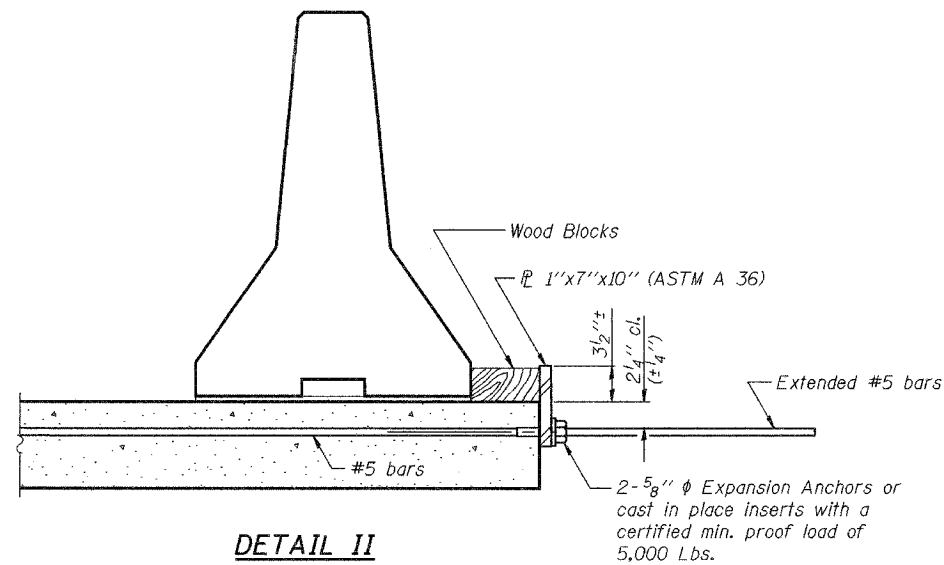


SECTIONS THRU SLAB



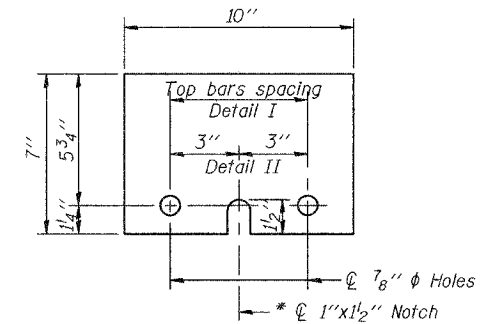
DETAIL I

The 1" x 7" x 10" Plate shall not be removed until Stage II Construction forms and reinforcement bars are in place.



DETAIL II

The 1" x 7" x 10" Plate shall not be removed until Stage II Construction forms and all reinforcement bars are in place and the concrete is ready to be placed.



1" x 7" x 10"

* Required only with Detail II

DESIGNED	CEH
CHECKED	DHC
DRAWN	DECKY M. LEACH
CHECKED	CEH & DHC

November 10, 2005

EXAMINED *Thomas J. Damagala*
ENGINEER OF BRIDGE DESIGN

PASSED *Ralph E. Curkran*
ENGINEER OF BRIDGES AND STRUCTURES

R-27

10-22-04

TEMPORARY CONCRETE BARRIER
FOR STAGE CONSTRUCTION
F.A.P. ROUTE 314 - SECTION 111BR-1
MADISON COUNTY
STATION 161+40.00
STRUCTURE NO. 060-0339