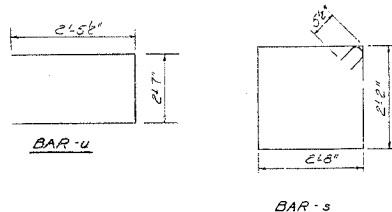
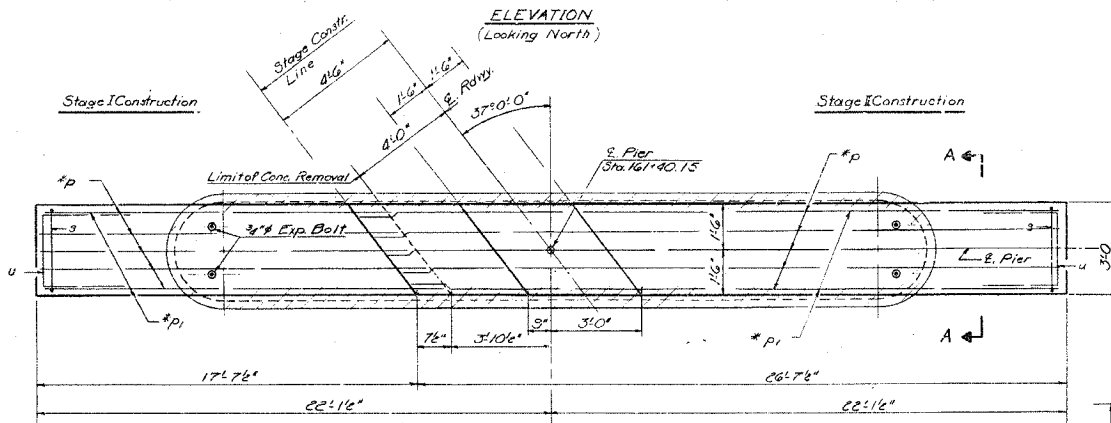
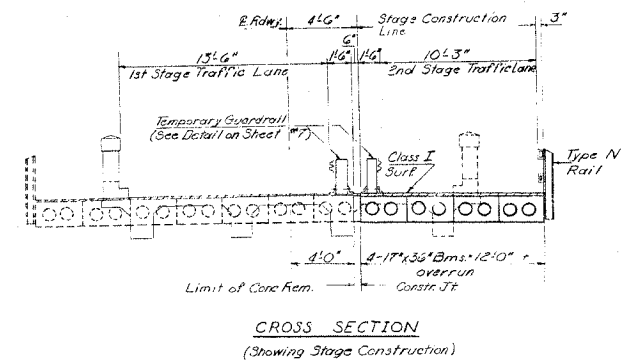
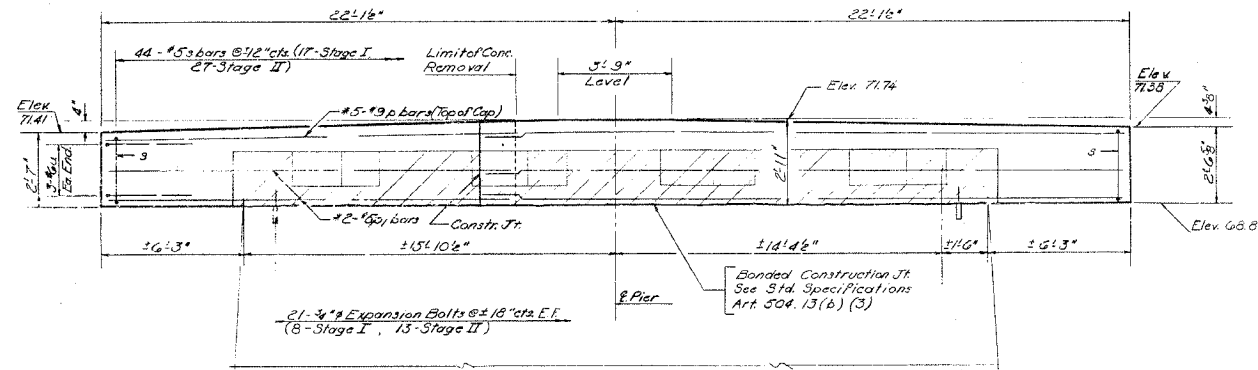


F.A.P. RTE.	SECTION	COUNTY	TOTAL SHEETS	SHEET NO.
314	111BR-I	MADISON	123	109
STA.		TO STA.		
FED. ROAD DIST. NO.		ILLINOIS	FED. AID PROJECT	

STATE OF ILLINOIS
DEPARTMENT OF TRANSPORTATION

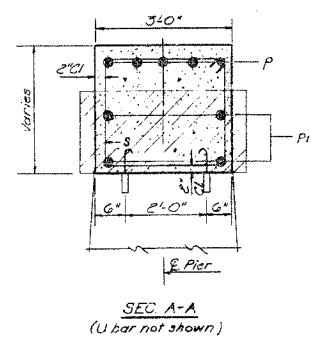
PROJECT NO.	SECTION	COUNTY	TOTAL SHEETS	SHEET NO.
68 111BR	MADISON	30	32	5 SHEETS



PIER BILL OF MATERIAL

Bar	No.	Size	Length	Shape
p	5	#9	11'-6"	
pi	4	#5	11'-6"	
s	14	#5	10'-7"	□
u	6	#6	7'-6"	□

Reinforcement Bars Lbs. 1500
Class I Concrete Cu Ton 16.0
Concrete Removal Cu Yds 5
Expansion Bolts Each 12



DESIGNED: J. J. Lee
CHECKED: R. F. ROSELY
DRAWN: F. Coffin
CHECKED: J. Lee RFR

EXAMINED: [Signature]
PASSED: [Signature]
DATE: JUN 9, 1971

FOR INFORMATION ONLY

REVISIONS	
NAME	DATE

ILLINOIS DEPARTMENT OF TRANSPORTATION

EXISTING STRUCTURE PLANS

FAP ROUTE 314
SECTION 111BR-I
MADISON COUNTY

PLOT DATE = 10/16/2005
FILE NAME = c:\p\projects\1048278\1048278\plan\p104827810486.dgn
PLOT SCALE = 1/8" = 1'-0"
REFERENCE = SHEET