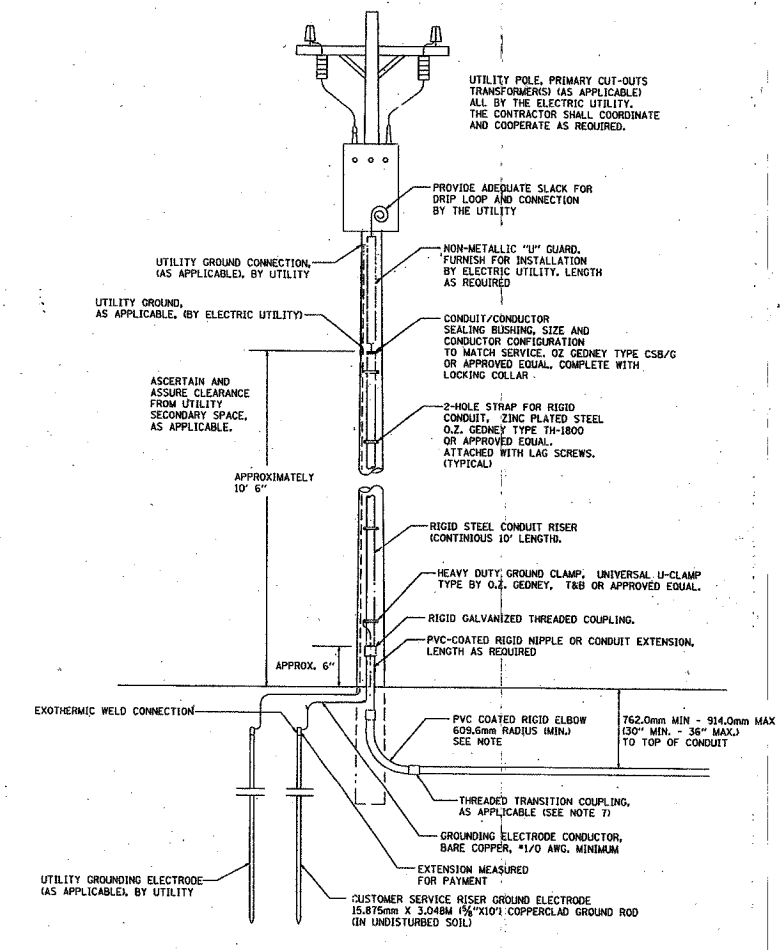
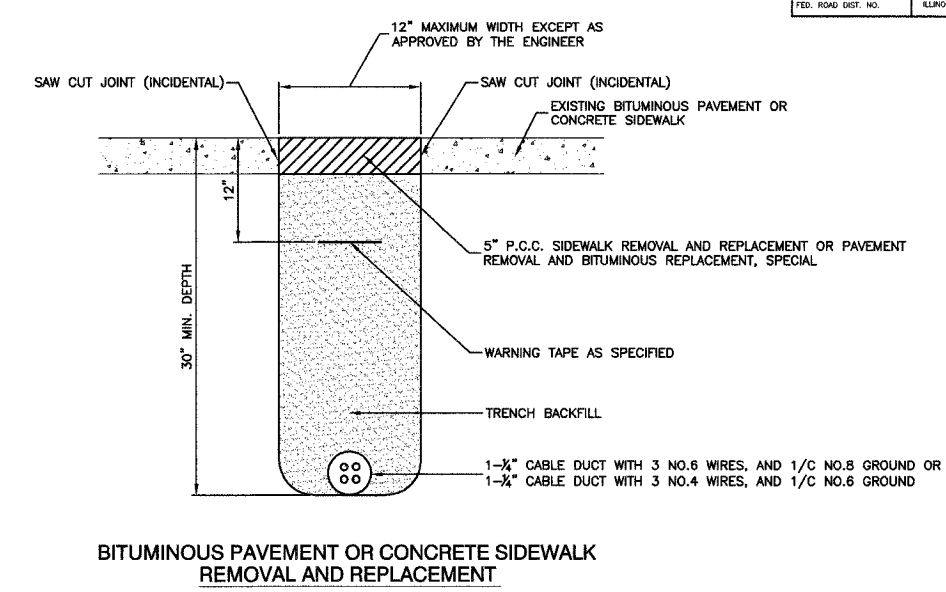
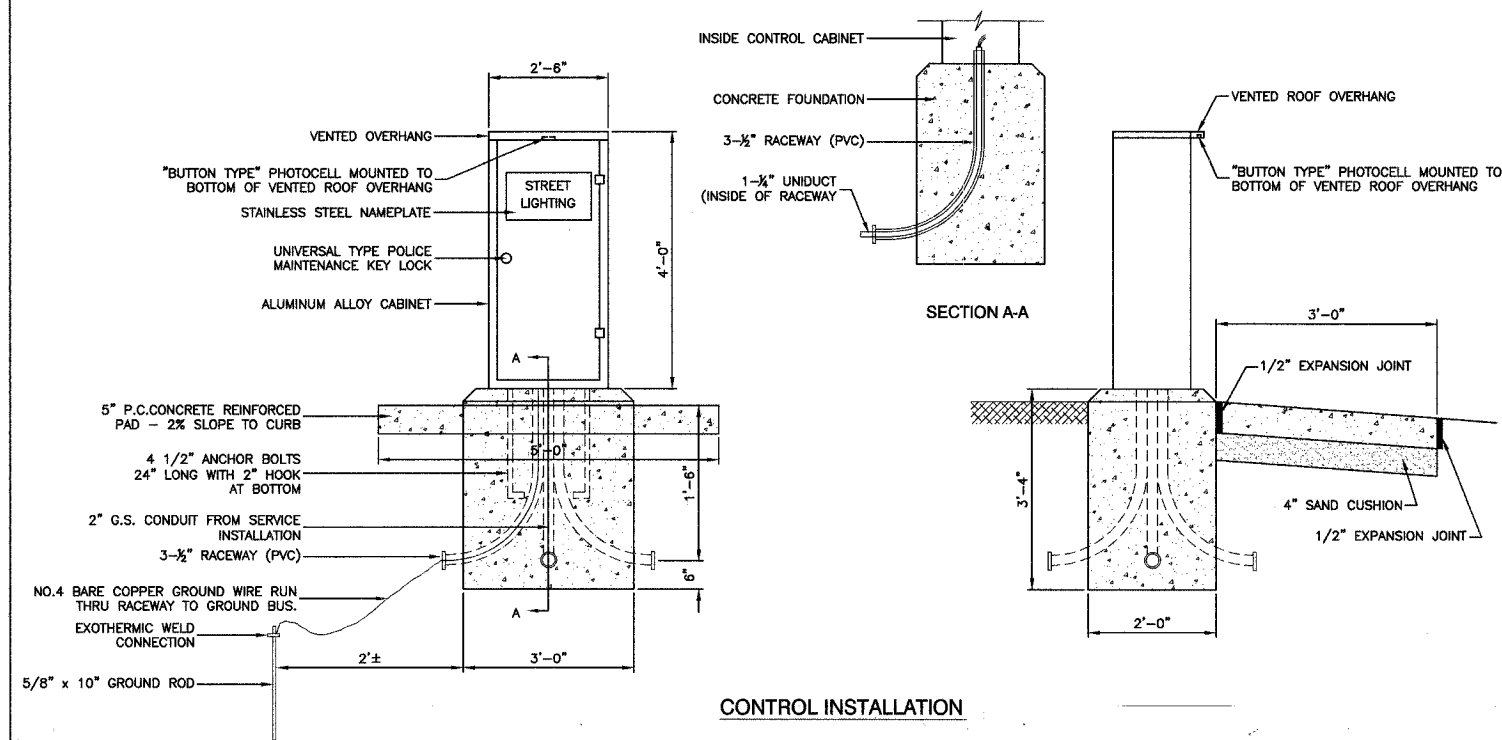
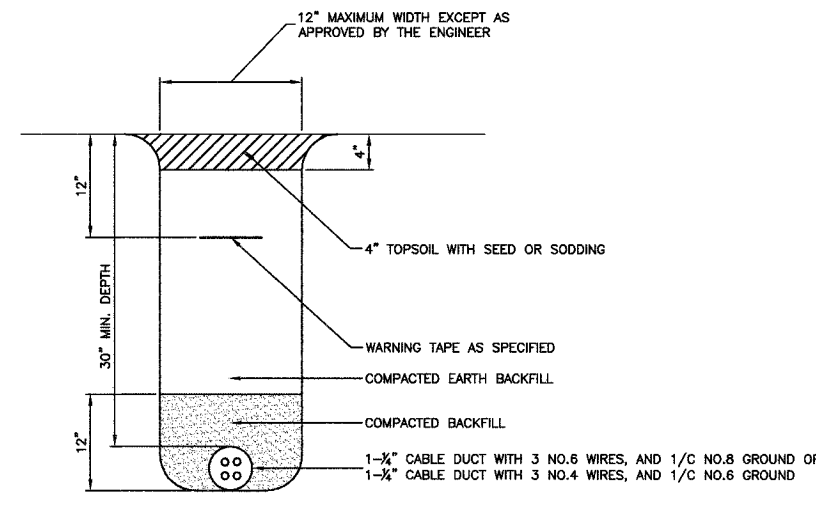


F.P. FILE	SECTION	COUNTY	TOTAL SHEETS	SHEET NO.
344	00-00074-0-LT	COOK	12	8
STA.		TO STA.		
FED. ROAD DIST. NO.	ILLINOIS	FED. AID PROJECT		



240/480 VOLT, 1Ø, 3 WIRE, 60 HZ. SERVICE
 17.47 KVA LOAD FOR CONTROLLER NO 2.
 13.73 KVA LOAD FOR CONTROLLER NO

- NOTES
- SERVICE VOLTAGE SHALL BE AS INDICATED ELSEWHERE IN THE DRAWINGS.
 - UNLESS OTHERWISE INDICATED, ITEMS AND WORK SHALL BE INCLUDED AND PAID AS PART OF ELECTRICAL UTILITY SERVICE INSTALLATION.
 - CONDUIT AND CONNECTOR DIAMETER SHALL MATCH THE DIAMETER OF THE SERVICE CONDUCTOR RACEWAY AS INDICATED.
 - PVC COATED RACEWAYS AND ACCESSORIES SHALL BE CAREFULLY INSTALLED WITH MFR RECOMMENDED TOOLS AND PROCEDURES TO AVOID DAMAGE. ANY DAMAGE SHALL BE REPAIRED WITH COMPATIBLE PVC TOUCH-UP MATERIAL TO THE SATISFACTION OF THE ENGINEER OR THE DAMAGED MATERIAL SHALL BE REPLACED AT NO ADDITIONAL COST.
 - THE CONTRACTOR SHALL OBTAIN INSPECTION AND APPROVAL BY THE ENGINEER OF SERVICE RISER GROUND ELECTRODE, RISER ELBOW, NIPPLE AND CONNECTION TO SERVICE CONDUCTOR RACEWAY EXTENSION BEFORE BACKFILL AND SHALL ALSO OBTAIN INSPECTION OF SERVICE RISER AND SEALING BUSHING BEFORE UTILITY "U" GUARD INSTALLATION AND SERVICE CONNECTION.
 - THE SERVICE METER SOCKET, AS APPLICABLE, MOUNTED ELSEWHERE AS INDICATED SHALL BE INCLUDED AND PAID AS PART OF THE ELECTRICAL UTILITY SERVICE INSTALLATION PAY ITEM.
 - THE SERVICE CONDUCTOR RACEWAY SHALL BE AS INDICATED AND SHALL BE MEASURED SEPARATELY FOR PAYMENT. WHEN THE RACEWAY IS PVC-COATED RIGID GALVANIZED STEEL, THE COUPLING SHALL BE THE SAME. WHEN THE RACEWAY IS PVC CONDUIT (IN CONCRETE), THE COUPLING SHALL BE A METALIC TO NON METALIC ADAPTER, WHEN THE RACEWAY IS ENCASED IN CONCRETE, THE CONCRETE SHALL EXTEND TO COVER THE COUPLING.
 - PLANS AND DETAILS INDICATE THE GENERAL NATURE AND REQUIREMENTS. THEY DO NOT SHOW EVERY ACCESSORY AND ATTACHMENT, AND THEY DO NOT RELIEVE THE CONTRACTOR OF THE REQUIREMENTS OF THE SPECIFICATIONS AND SPECIAL PROVISIONS TO ASCERTAIN UTILITY REQUIREMENTS AND TO COORDINATE ACCORDINGLY, FURNISHING ALL ITEMS AND WORK NOT PROVIDED BY THE UTILITY, BUT NECESSARY FOR A COMPLETE SERVICE INSTALLATION.



ROBINSON ENGINEERING, LTD.
 CONSULTING REGISTERED PROFESSIONAL ENGINEERS
 AND PROFESSIONAL LAND SURVEYORS
 17000 SOUTH PARK AVENUE SOUTH HOLLAND, ILLINOIS 60473
 (708) 331-6700 FAX (708) 331-3828
 © COPYRIGHT 2003

REVISIONS		
No.	Date	Remarks
1	05/24/05	PAP
2	08/05/05	PAP
3	11/01/05	PAP

127TH STREET LIGHTING DETAILS

ALSIP, ILLINOIS

Drawn by: AG/EDG Date: 02/07/05
 Checked by: RVIII Scale: NONE
 Sheet of Project No. 99-562.02