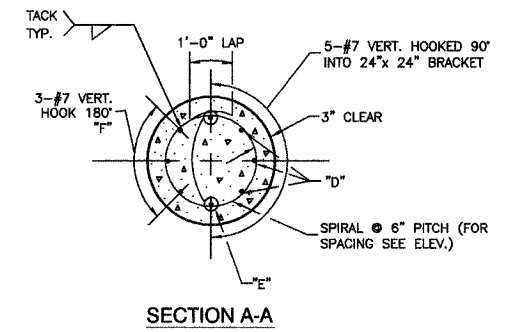
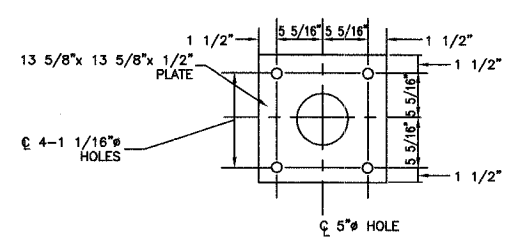


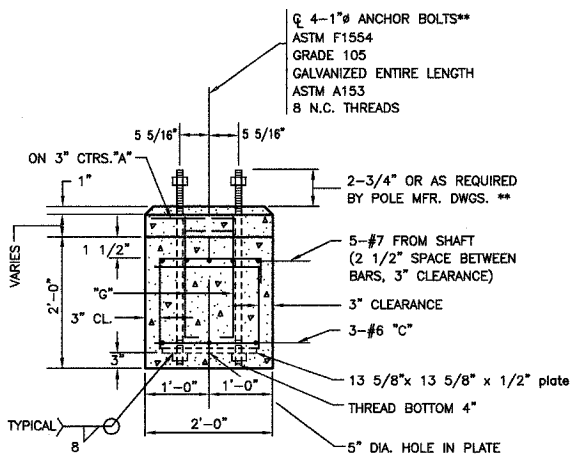
F.P. NO.	SECTION	COUNTY	TOTAL SHEETS	SHEET NO.
344	00-00074-0-LT	COOK	12	10
STA.		TO STA.		
FED. ROAD DIST. NO.	ILLINOIS	FED. AID PROJECT		



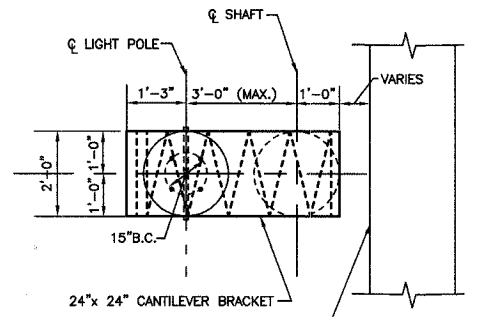
SECTION A-A



ANCHOR BOLT PLATE



SECTION B-B

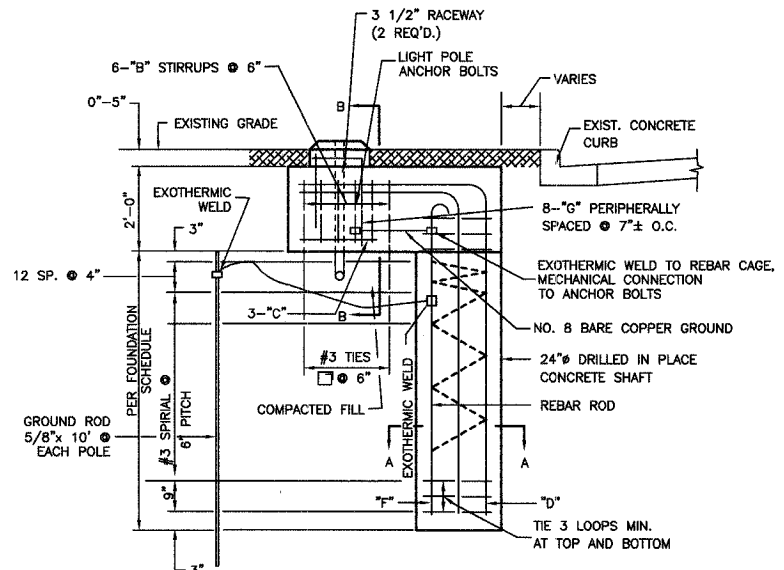


PLAN - CANTILEVERED BRACKET

NOTE:
THE TOP OF THE ANCHOR BOLTS SHOULD NOT PROJECT MORE THAN 4" ABOVE A 60" CHORD ALIGNED RADIALLY TO THE CENTERLINE OF THE HIGHWAY AND CONNECTING ANY POINT WITHIN THE LENGTH OF THE CHORD, ON THE GROUND SURFACE ON ONE SIDE OF THE SUPPORT TO A POINT ON THE GROUND SURFACE ON THE OTHER SIDE.

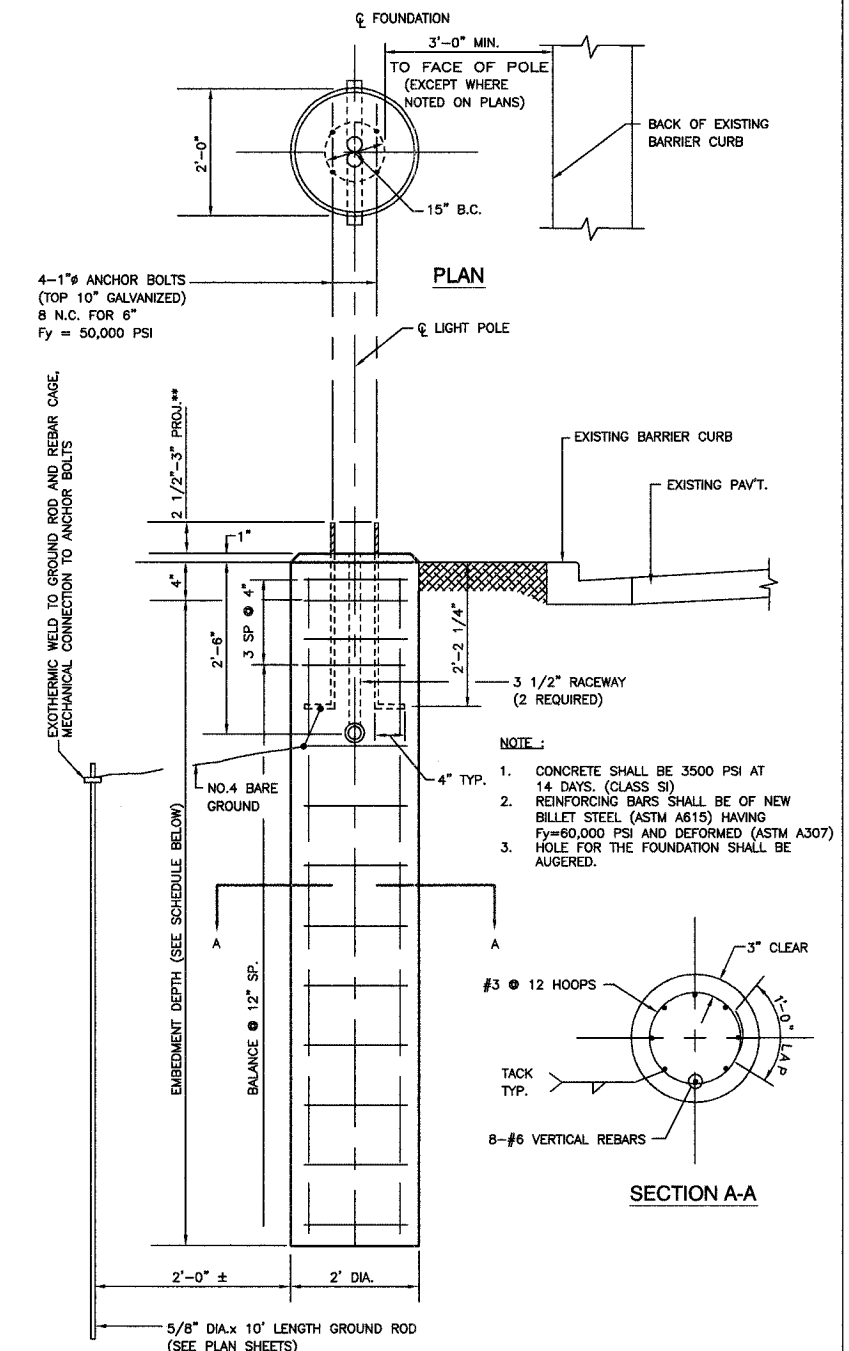
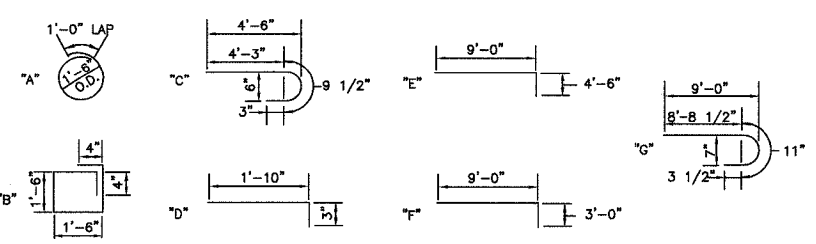
- NOTE:**
- CONCRETE SHALL BE 3500 PSI AT 14 DAYS. (CLASS SI)
 - REINFORCING BARS SHALL BE OF NEW BILLET STEEL ASTM M42M (M42) AND DEFORMED
 - HOLE FOR THE FOUNDATION (SHAFT) SHALL BE AUGERED
 - POLE FOUNDATION, OFFSET FOR THIS APPLICATION IS EQUIVALENT TO 13.5 LIN.FT. PER FOUNDATION.
 - THE CONTRACTOR SHALL USE A #3 SPIRAL AT 6" PITCH OR MAY SUBSTITUTE #3 TIES 12" O.C. WITH THE APPROVAL OF THE ENGINEER

BILL OF MATERIALS				
LIGHT POLE FOUNDATION, 24" DIAMETER, OFFSET				
QUAN.	MARK	SIZE	LENGTH	SHAPE
11	A	NO.3	5'-9"	○
6	B	NO.3	6'-8"	□
3	C	NO.6	5'-31/2"	—
8	G	NO.6	2'-1"	—
3	D	NO.7	13'-6"	—
2	E	NO.7	12'-0"	—
3	F	NO.7	9'-11"	—
REINFORCING BARS		LBS.	285	
CLASS X CONCRETE		CU.YDS.	1.7	
ANCHOR BOLTS		NO.	4	
ANCHOR BOLT PLATE NO.			1	



ELEVATION

POLE FOUNDATION, OFFSET - DETAILS



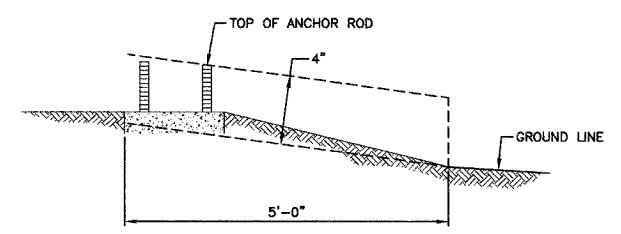
ELEVATION

LIGHT POLE FOUNDATION (TYPICAL)

NOTE:
ACTUAL FOUNDATION DEPTH IS EMBEDMENT DEPTH (FROM SCHEDULE) PLUS 6" EQUALS TOTAL DEPTH.
7'-6"+6"= 8'-0" FOR 40' MH
10'-0"+6"=10'-6" FOR 47.5' MH

- NOTE:**
- CONCRETE SHALL BE 3500 PSI AT 14 DAYS. (CLASS SI)
 - REINFORCING BARS SHALL BE OF NEW BILLET STEEL (ASTM A615) HAVING Fy=60,000 PSI AND DEFORMED (ASTM A307)
 - HOLE FOR THE FOUNDATION SHALL BE AUGERED.

TYPE OF SOILS		EMBEDMENT			
DESCRIPTION	STANDARDS	MOUNTING HEIGHT			
		30 FT.	35 FT.	40 FT.	47.5 FT.
SOFT CLAY	Qu= .25-.50 T/FT. 2	9'-0"	9'-8"	10'-6"	14'-0"
MEDIUM CLAY	Qu= .50-1.0 T/FT. 2	6'-6"	7'-0"	7'-6"	10'-0"
DENSE CLAY	Qu= 1.0-2.0 T/FT. 2	5'-6"	6'-0"	6'-6"	8'-6"
LOOSE SAND	N= 4-10	7'-0"	7'-8"	8'-4"	11'-0"
MEDIUM SAND	N= 10-30	6'-0"	6'-6"	7'-3"	9'-6"
DENSE SAND	N= 30-50	5'-6"	6'-0"	6'-6"	8'-6"



FOUNDATION EXTENSION DETAIL

NOTE:
THE FOUNDATION SHALL NOT PROTRUDE MORE THAN 100MM (4") ABOVE THE FINISHED GRADE WITHIN A 1.5M (60") CHORD ACROSS THE FOUNDATION, WITH ANCHOR RODS INCLUDED. IN ACCORDANCE WITH AASHTO GUIDELINES. IF THE FOUNDATION HEIGHT, INCLUDING ANCHOR RODS, EXTENDS BEYOND THESE SPECIFIED LIMITS, THE FOUNDATION SHALL BE REPLACED AT THE CONTRACTORS EXPENSE. SEE FOUNDATION EXTENSION DETAIL.

CONTRACT NO. 83769

ROBINSON ENGINEERING, LTD. CONSULTING REGISTERED PROFESSIONAL ENGINEERS AND PROFESSIONAL LAND SURVEYORS 17000 SOUTH PARK AVENUE SOUTH HOLLAND, ILLINOIS 60473 (708) 331-6700 FAX (708) 331-3826 © COPYRIGHT 2003		REVISIONS <table border="1"> <tr> <th>No.</th> <th>Date</th> <th>Remarks</th> </tr> <tr> <td>1</td> <td>05/24/05</td> <td>PAP</td> </tr> </table>		No.	Date	Remarks	1	05/24/05	PAP
No.	Date	Remarks							
1	05/24/05	PAP							
127TH STREET LIGHTING DETAILS									
ALSIP, ILLINOIS									
Drawn by: AG/EDG Checked by: RVIII Sheet of	Date: 02/07/05 Scale: NONE Project No. 99-582.02								