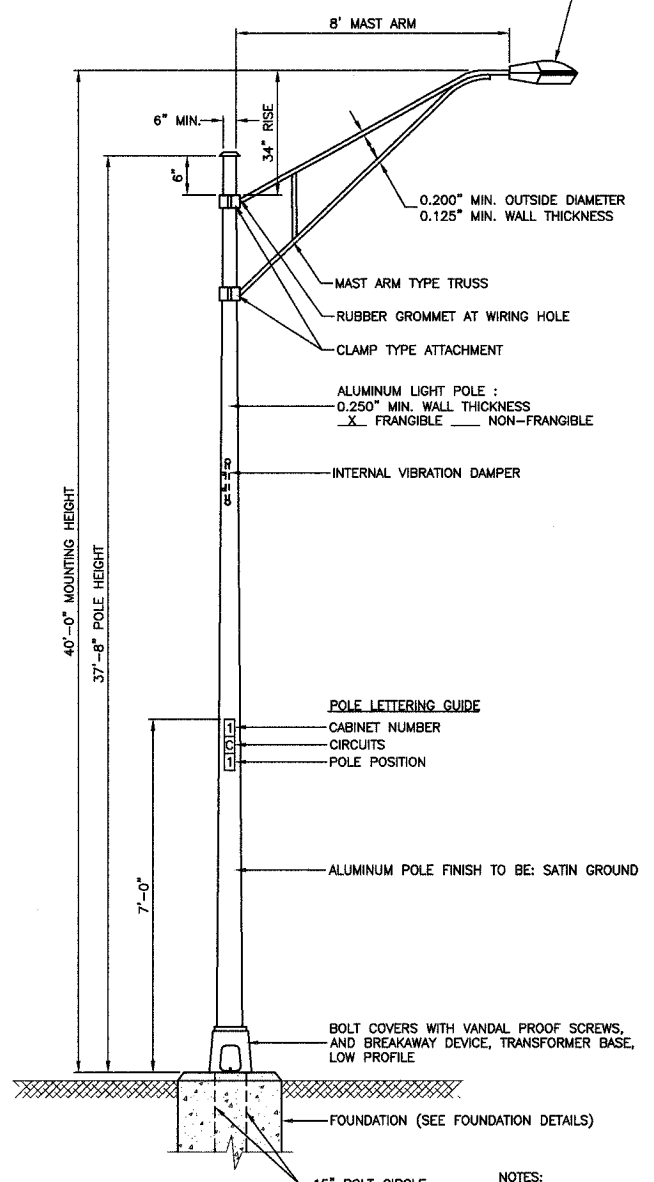


F.A.P. NO.	SECTION	COUNTY	TOTAL SHEETS	SHEET NO.
344	00-00074-0-LT	COOK	12	11
STA.	TO STA.			
FED. ROAD DIST. NO.	ILLINOIS	FED. AID PROJECT		

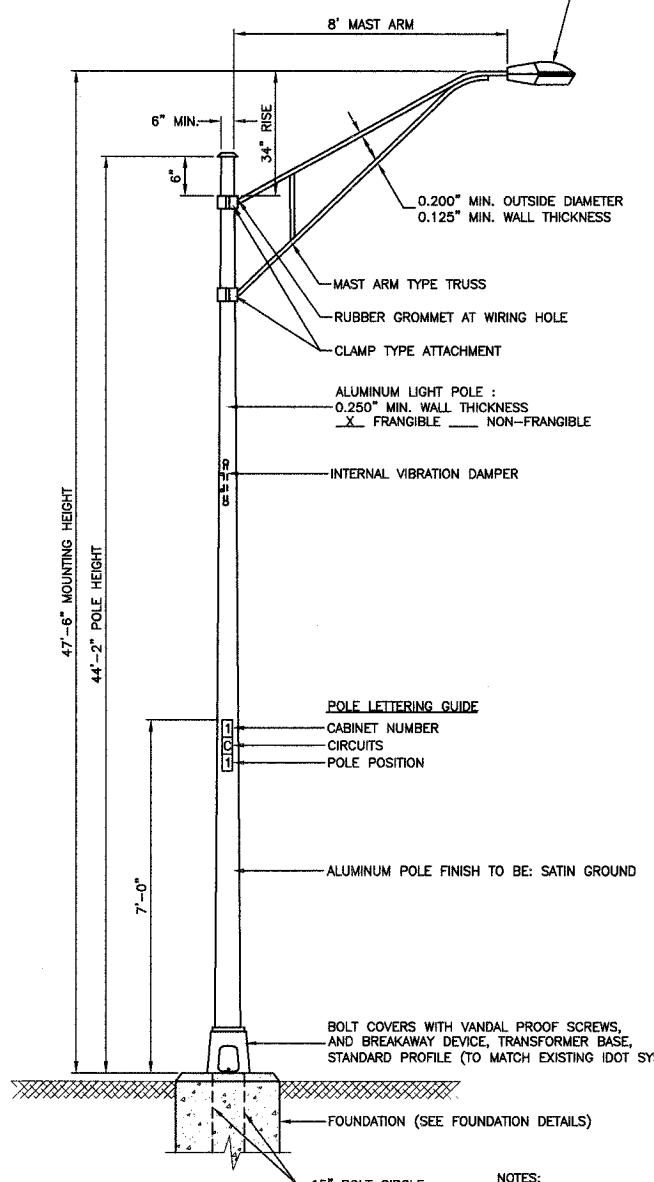
LUMINAIRE:
 250 WATT HIGH PRESSURE SODIUM LAMP
 240 VOLT BALLAST
 I.E.S. TYPE: MC III LIGHT DISTRIBUTION
 LENS TYPE: FLAT
 INITIAL LAMP LUMENS: 27,500
 LAMP LIFE: 24,000 HOURS

LUMINAIRE:
 250 WATT HIGH PRESSURE SODIUM LAMP FOR IDOT "CH" SYSTEM
 400 WATT HIGH PRESSURE SODIUM LAMP AT STA. 23+12, 32.5' RT
 240 VOLT BALLAST
 I.E.S. TYPE: MC III LIGHT DISTRIBUTION
 LENS TYPE: FLAT
 INITIAL LAMP LUMENS: 27,500 OR 50,000
 LAMP LIFE: 24,000 HOURS



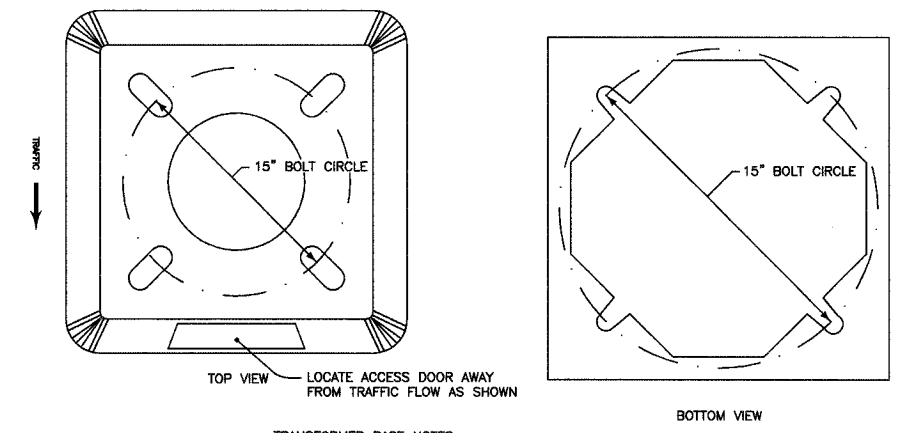
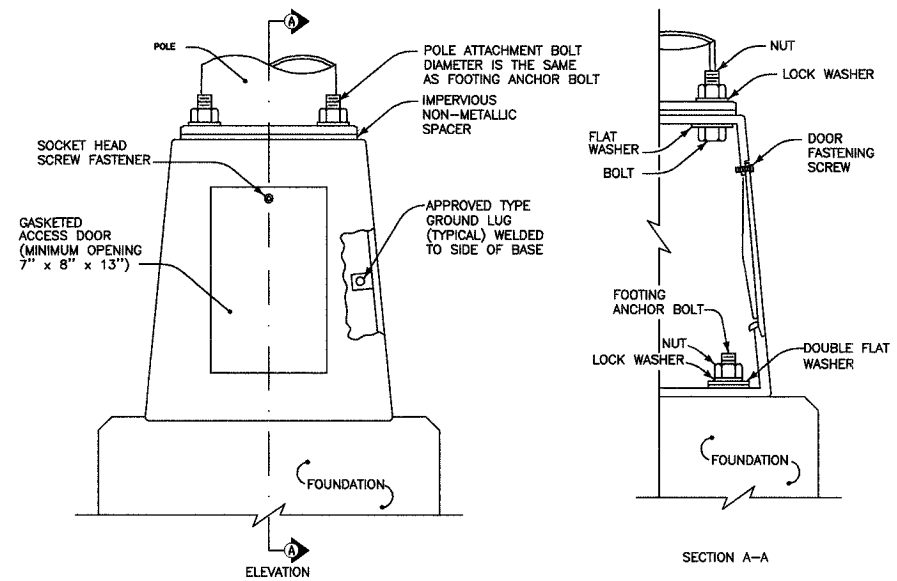
TYPICAL POLE INSTALLATION (40' MH)

- NOTES:**
1. THE LIGHTING UNITS SHALL MEET AASHTO DESIGN CRITERIA. DESIGN FOR 90 M.P.H. WIND WITH 30% GUST AND 75 POUND LUMINAIRE HAVING AN E.P.A. OF 1.6 SQ. FT. AND PROPER ICE LOADING.
 2. ALUMINUM ALLOY 6063-T6 SHALL BE USED.



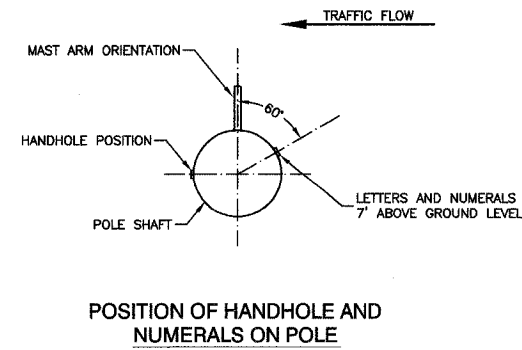
TYPICAL POLE INSTALLATION (47.5' MH)

- NOTES:**
1. THE LIGHTING UNITS SHALL MEET AASHTO DESIGN CRITERIA. DESIGN FOR 90 M.P.H. WIND WITH 30% GUST AND 75 POUND LUMINAIRE HAVING AN E.P.A. OF 1.6 SQ. FT. AND PROPER ICE LOADING.
 2. ALUMINUM ALLOY 6063-T6 SHALL BE USED.



- TRANSFORMER BASE NOTES:**
1. THE DETAILS INDICATED HEREON ARE TYPICAL FOR A CAST ALUMINUM TRANSFORMER BASE. ALTERNATE DESIGNS MAY BE SUBMITTED TO THE ENGINEER FOR APPROVAL.
 2. ALL DIMENSIONS SHALL MEET AASHTO STANDARDS.
 3. MATERIALS AND METHODS OF CONSTRUCTION SHALL BE IN ACCORDANCE WITH 2002 IDOT STANDARD SPECIFICATIONS FOR ROAD AND BRIDGE CONSTRUCTION.
 4. ALL MATERIALS, COMPONENTS AND EQUIPMENT SHALL BE U.L. LISTED.

TRANSFORMER BASE DETAIL



POSITION OF HANDHOLE AND NUMERALS ON POLE

ROBINSON ENGINEERING, LTD. CONSULTING REGISTERED PROFESSIONAL ENGINEERS AND PROFESSIONAL LAND SURVEYORS 17000 SOUTH PARK AVENUE SOUTH HOLLAND, ILLINOIS 60473 (708) 381-8700 © COPYRIGHT 2003		REVISIONS <table border="1"> <tr> <th>No.</th> <th>Date</th> <th>Remarks</th> </tr> <tr> <td>1</td> <td>05/24/05</td> <td>PAP</td> </tr> <tr> <td>2</td> <td>08/05/05</td> <td>PAP</td> </tr> <tr> <td>3</td> <td>11/01/05</td> <td>PAP</td> </tr> <tr> <td>4</td> <td>11/28/05</td> <td>BEO</td> </tr> </table>	No.	Date	Remarks	1	05/24/05	PAP	2	08/05/05	PAP	3	11/01/05	PAP	4	11/28/05	BEO
No.	Date	Remarks															
1	05/24/05	PAP															
2	08/05/05	PAP															
3	11/01/05	PAP															
4	11/28/05	BEO															
127TH STREET LIGHTING DETAILS																	
ALSIP, ILLINOIS																	
Drawn by: AG/EDG Checked by: RYIII Sheet of	Date: 02/07/05 Scale: NONE Project No. 99-562.02																