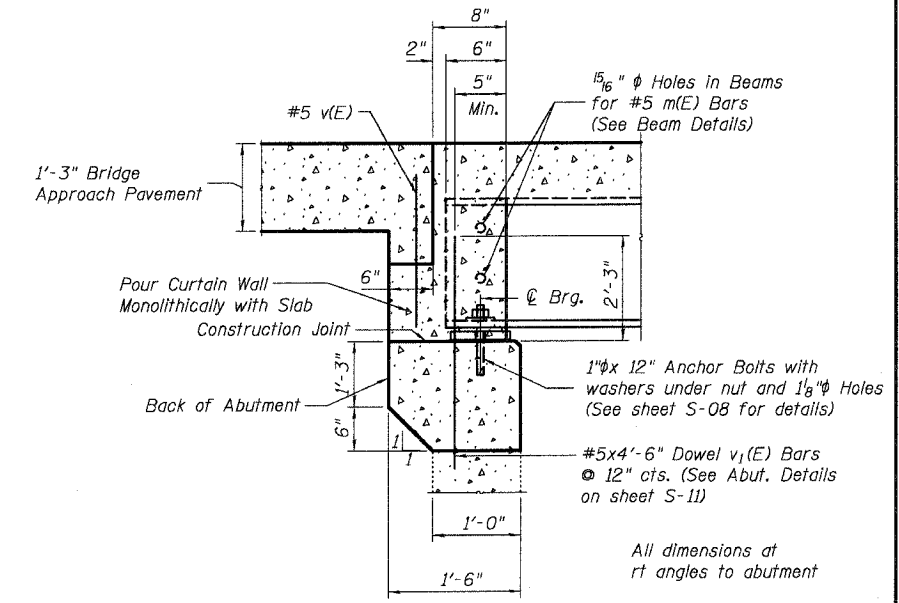
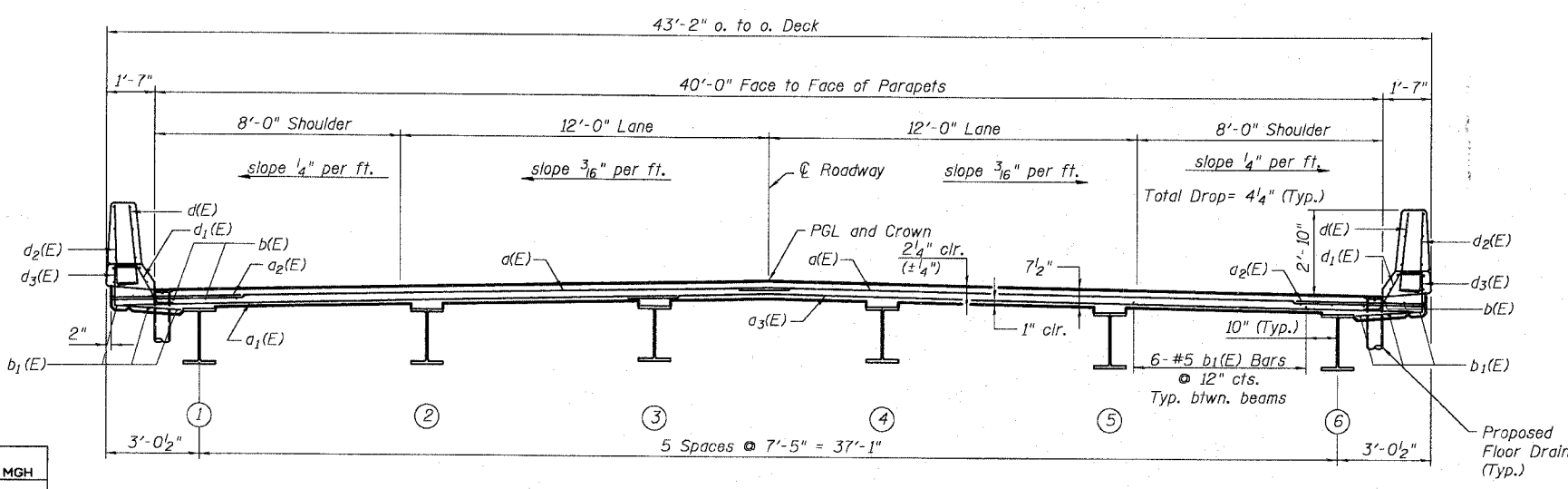


PLAN



SECTION A-A
Not to Scale



CROSS SECTION
Not to Scale

- Notes:
- See Sheet S-05 of S-12 for superstructure details and Bill of Material for deck and parapets.
 - Reinforcement bars designated (E) shall be epoxy coated.
 - Bars indicated thus 20 x 3-#5 etc. indicates 20 lines of bars with 3 lengths per line.
 - See Sheet S-05 of S-13 for parapet reinforcement.
 - Reinforcement bar splices shall be in accordance with the following table unless shown otherwise on the drawing

Size	Basic Lap	Top Bars Lap
#5	2'-2"	3'-0"
#6	2'-7"	3'-7"
#8	4'-6"	6'-4"

DESIGNED	MGH
CHECKED	RGD
DRAWN	WJH
CHECKED	NRF



REVISIONS	
NAME	DATE

ILLINOIS DEPARTMENT OF TRANSPORTATION

Deck Plan, Cross Section, and Details
Harlem Avenue/Dreckster Road
Over Black Walnut Creek
Will County
Section 01-00139-02-BR
SN. 099-3091

DATE 5-26-2005