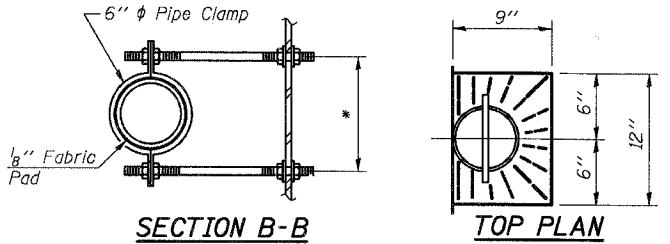


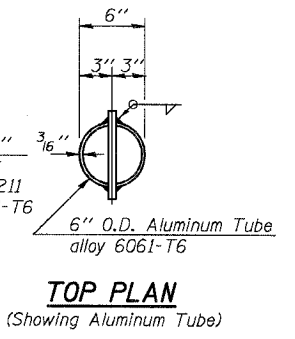
SECTION THRU PARAPET

* Dimension as required by Pipe Clamp

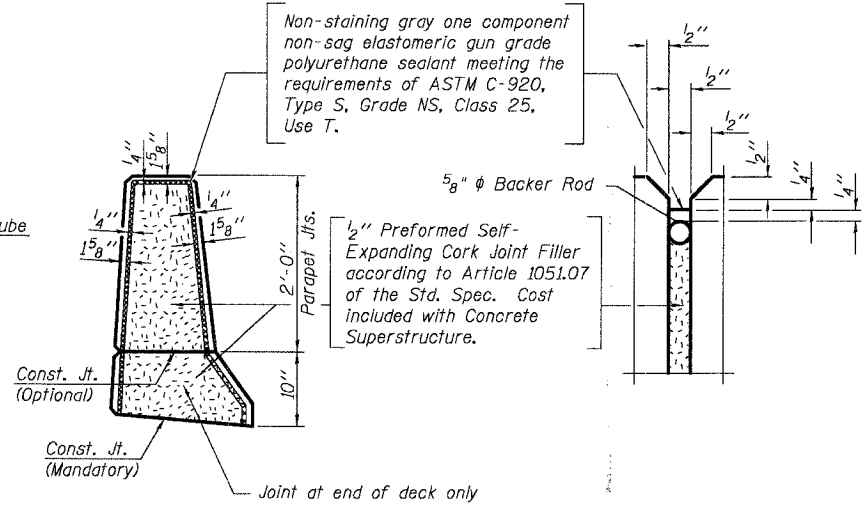


SECTION B-B

TOP PLAN



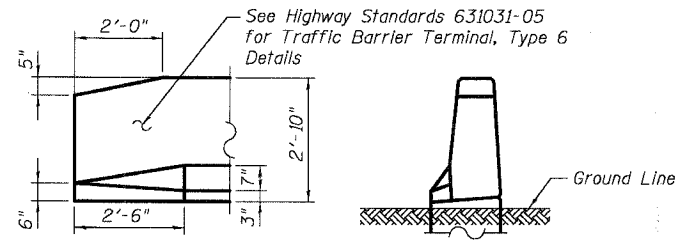
TOP PLAN (Showing Aluminum Tube)



PARAPET JOINT DETAILS

Notes:

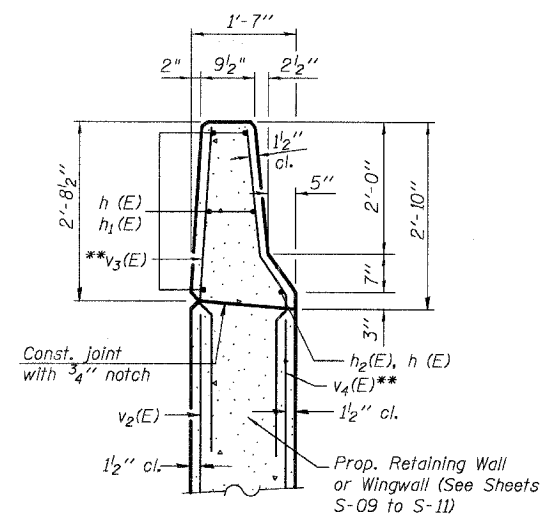
- The exterior surfaces of the floor drains shall be painted with the finish coat as specified in the General Notes on S-02. The exterior surfaces of the drains shall be cleaned according to Steel Structures Painting Council's Spec. SSPC-SP1 prior to painting.
- The pipe clamp, fabric pad, bolts, washers, nuts, Aluminum bar, and Aluminum tube shall be included in the Pay Item "Floor Drains".



ELEVATION

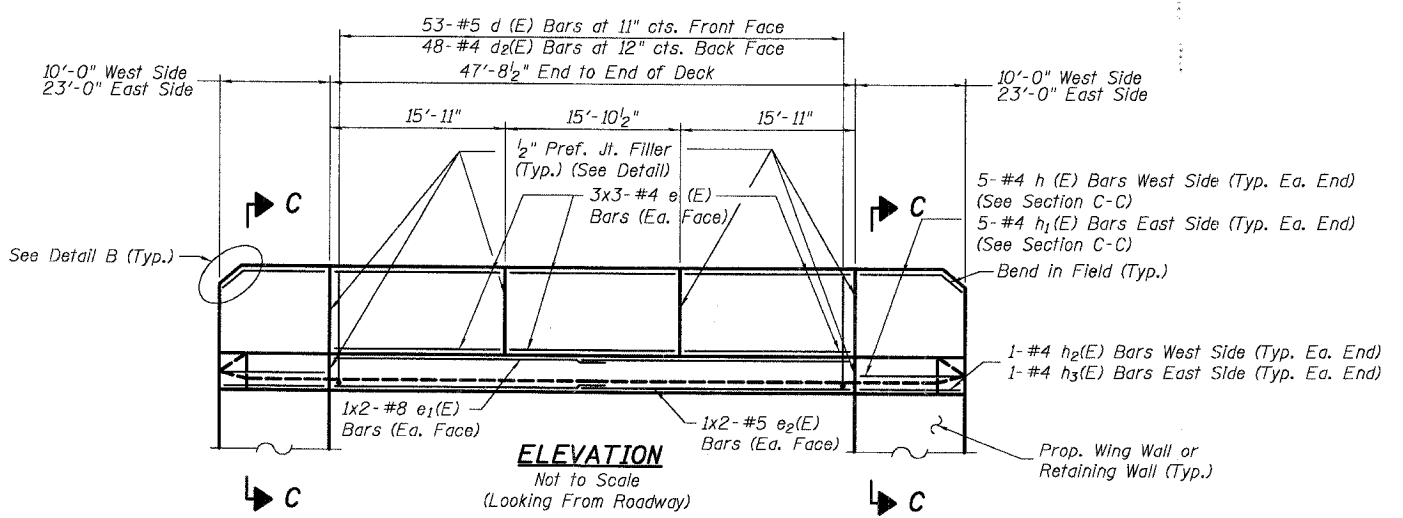
END VIEW

DETAIL B
Not to Scale

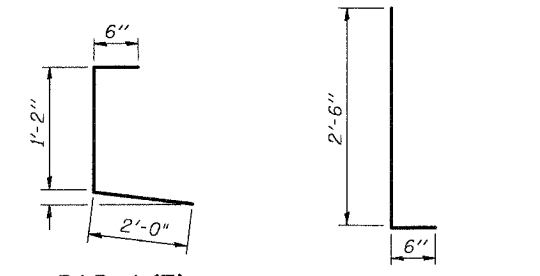


SECTION C-C

** See Retaining Wall details for v3(E) and v4(E) bars.

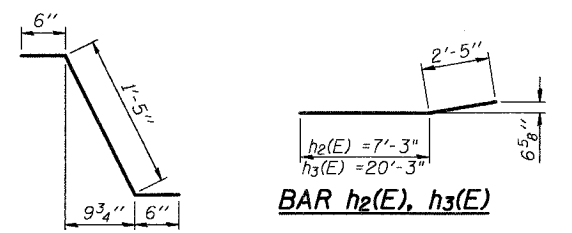


ELEVATION
Not to Scale
(Looking From Roadway)



BAR d3(E)

BARS d1(E) & d2(E)



BAR d1(E)

SUPERSTRUCTURE
BILL OF MATERIAL

Bar	No.	Size	Length	Shape
a(E)	176	# 5	22'-4"	—
a1(E)	64	# 5	18'-8"	—
a2(E)	88	# 6	4'-6"	—
a3(E)	64	# 5	26'-1"	—
b(E)	92	# 5	24'-9"	—
b1(E)	84	# 5	24'-9"	—
d(E)	53	# 5	3'-0"	—
d1(E)	106	# 5	2'-5"	┌
d2(E)	48	# 4	3'-0"	└
d3(E)	106	# 4	3'-8"	┌
e(E)	18	# 4	15'-7"	—
ea(E)	4	# 8	25'-11"	—
eb(E)	4	# 5	24'-9"	—
h(E)	10	# 4	9'-8"	—
h1(E)	10	# 4	22'-8"	—
h2(E)	2	# 4	9'-8"	—
h3(E)	2	# 4	22'-8"	—
m(E)	8	# 5	22'-4"	—
v(E)	24	# 5	2'-4"	—
v1(E)	43	# 5	4'-6"	—
Reinforcement Bars, Epoxy Coated		Pound	13,360	
Concrete Superstructure		Cu. Yd.	66.3	
Protective Coat		Sq. Yd.	65	
Floor Drains		Each	8	

NOTES:

- Reinforcement bars designated (E) shall be epoxy coated.
- Bars indicated thus 1 x 2 - #5 etc. indicates 1 line of bars with 2 lengths per line.
- Work this sheet with sheet S-04 and S-09 to S-11.

DESIGNED	MGH
CHECKED	RGD
DRAWN	WJH
CHECKED	NRF

SMITH ENGINEERING CONSULTANTS, INC.
CIVIL/STRUCTURAL ENGINEERS
1000 W. BROADWAY
ANN ARBOR, MI 48106

ILLINOIS DEPARTMENT OF TRANSPORTATION
Parapet Elevations, Details and Drain Details
Harlem Avenue/Drecksler Road
Over Black Walnut Creek
Will County
Section 01-00139-02-BR
SN. 099-3091
DATE 5-26-2005

REVISIONS	
NAME	DATE