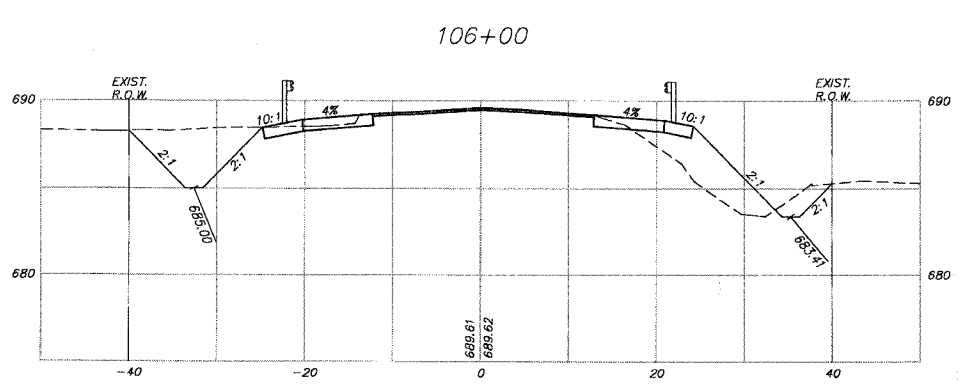
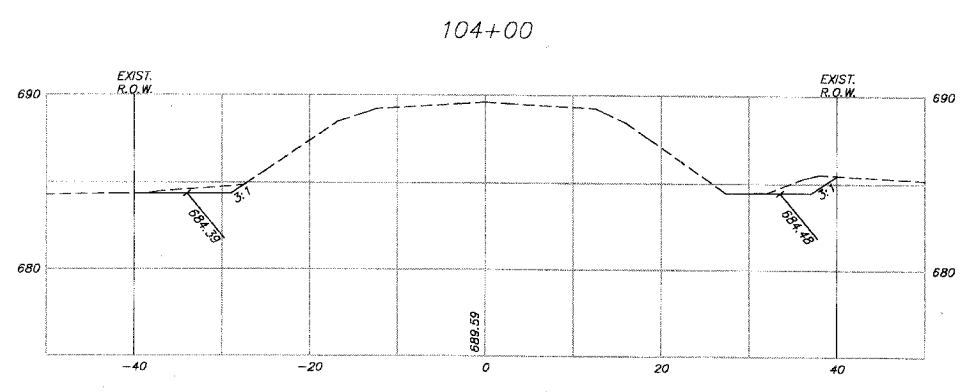
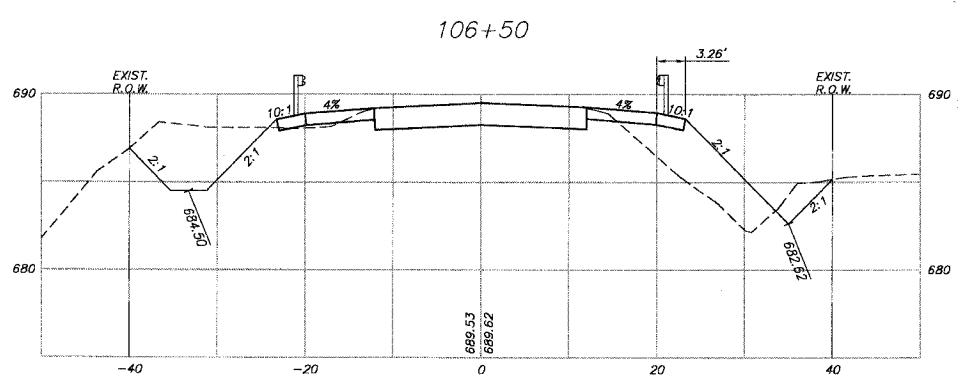
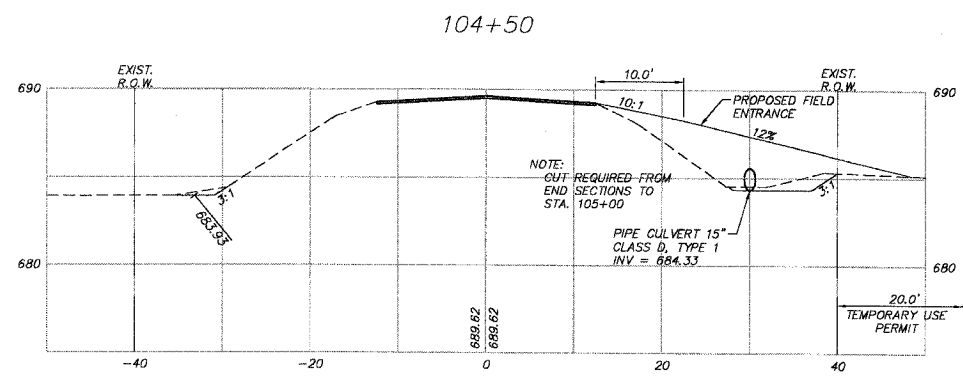
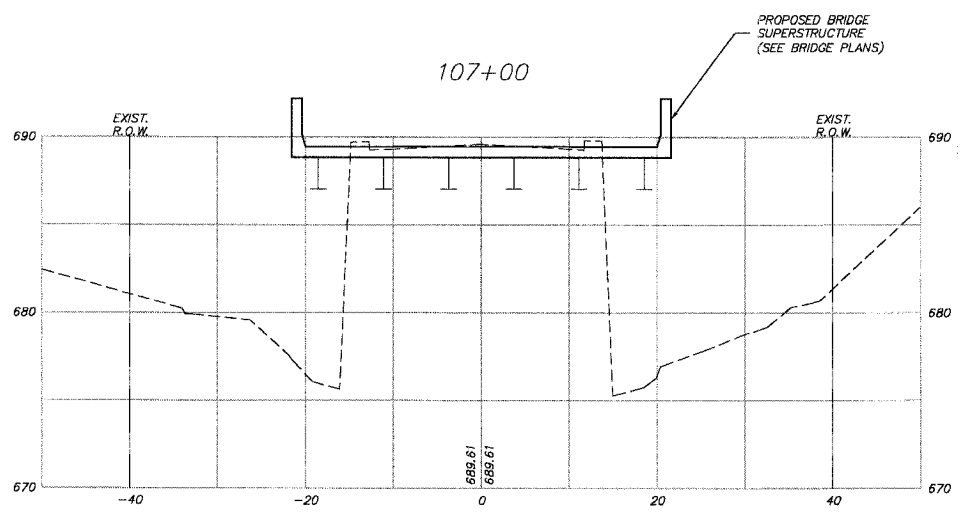
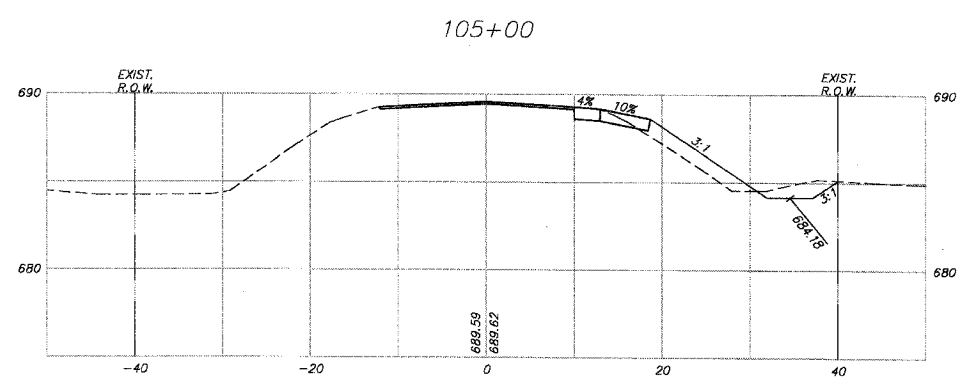
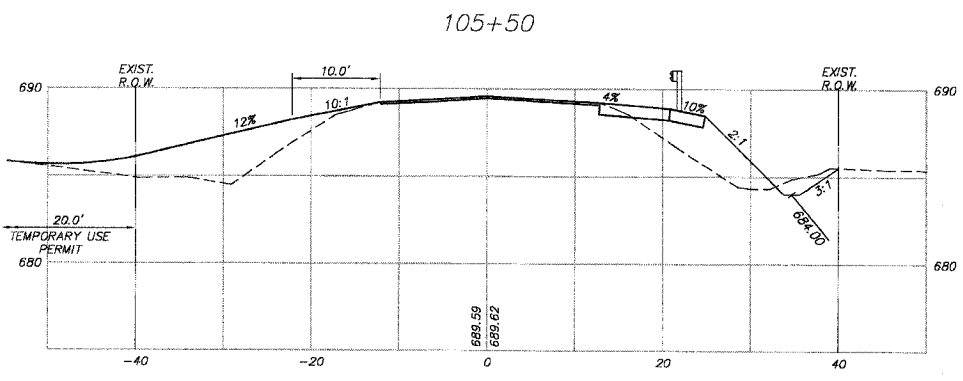


F.A.P. RTE.	SECTION	COUNTY	TOTAL SHEETS	SHEET NO.
3762	01-00139-02-BR	WILL	35	33
STA.	104+00	TO STA.	107+00	
FED. ROAD DIST. NO. 1		ILLINOIS HIGHWAY PROJECT		
CONTRACT # 83802				



PLOT FILE STANDARD
 COMP. FILE: 040139-403.dwg

REVISIONS	
NO.	DATE
7.	
6.	
5.	
4.	
3.	
2.	
1.	

SMITH ENGINEERING CONSULTANTS, INC.
 CIVIL/STRUCTURAL ENGINEERS AND SURVEYORS
 4600 PRIME PARKWAY, SUITE 201
 MCKENNA, ILLINOIS 60050
 PH: 815-385-1778 FAX: 815-385-1781
 www.smithengineering.com E-MAIL: seo@smithengineering.com
 McHENRY HUNTLEY YORKVILLE
 ILLINOIS PROFESSIONAL DESIGN FIRM # 184-000108

ILLINOIS DEPARTMENT OF TRANSPORTATION
 WILL COUNTY DEPARTMENT OF HIGHWAYS
 HARLEM AVENUE/DRECKSLER ROAD
 OVER BLACK WALNUT CREEK
 CROSS SECTIONS

SCALE: 1"=10' H, 1"=5' V
 DATE 5-26-2005
 DRAWN BY W/JH
 CHECKED BY J/LP