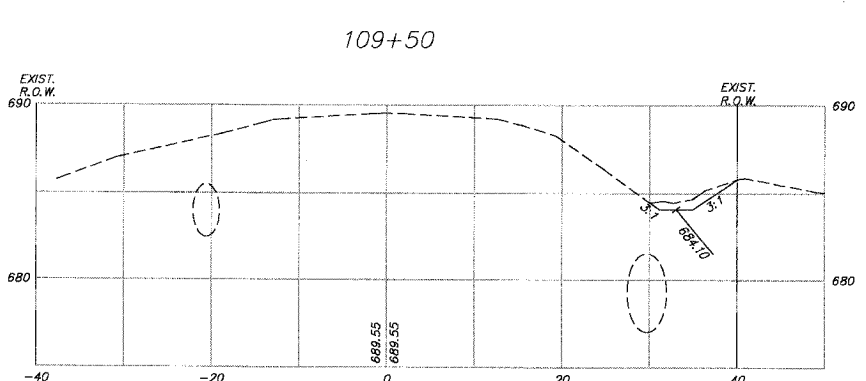
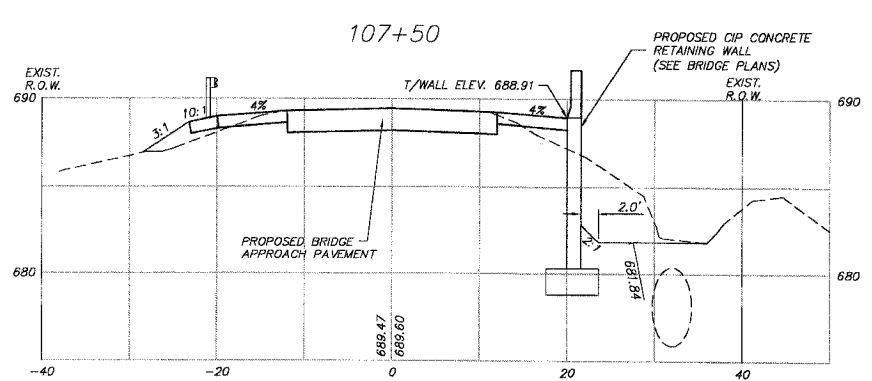
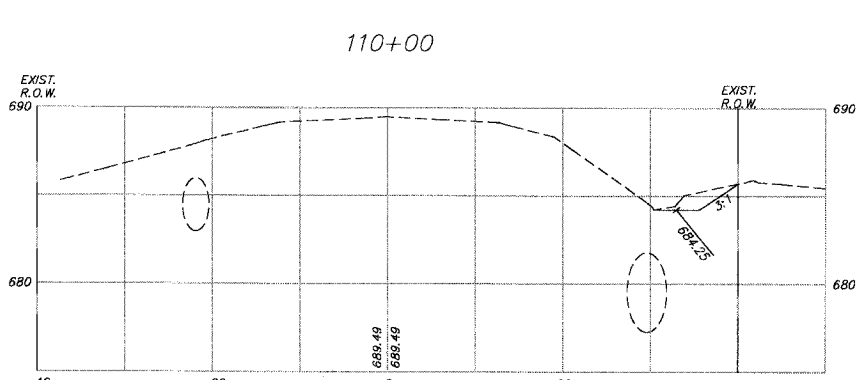
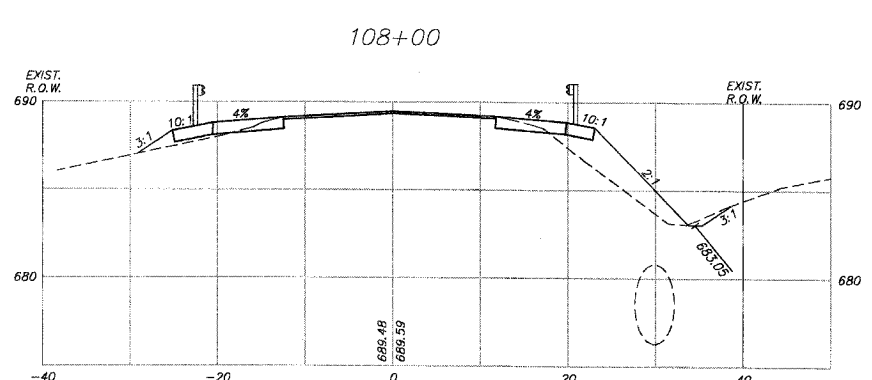
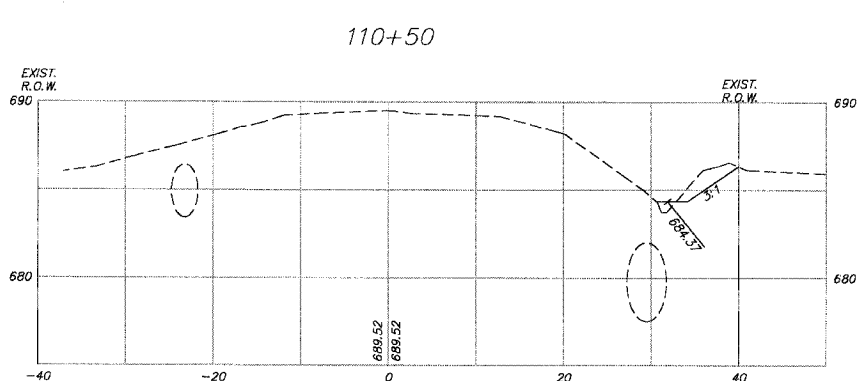
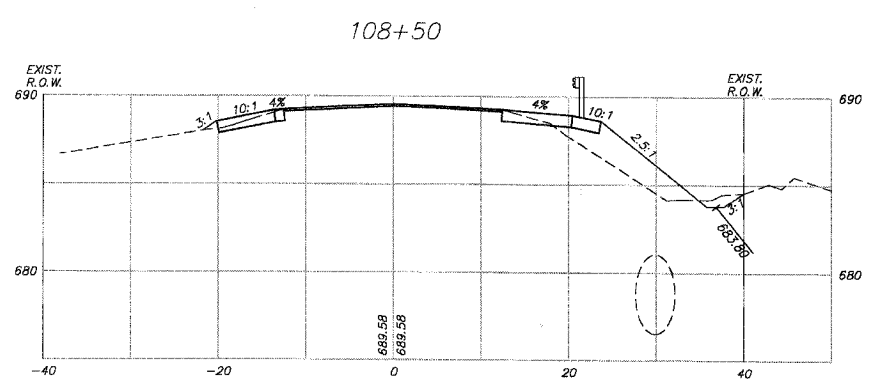
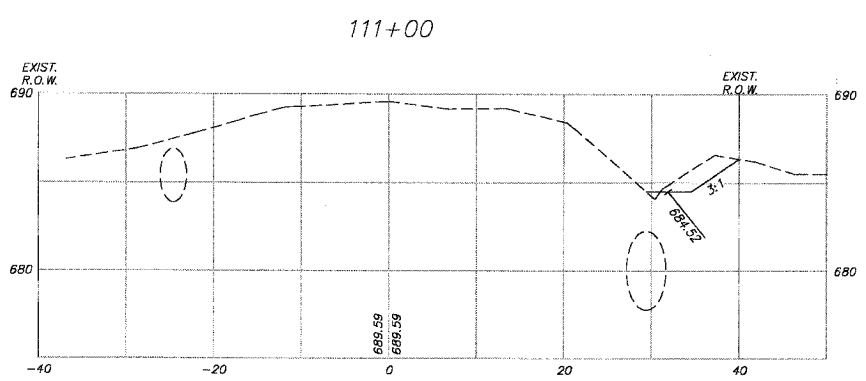
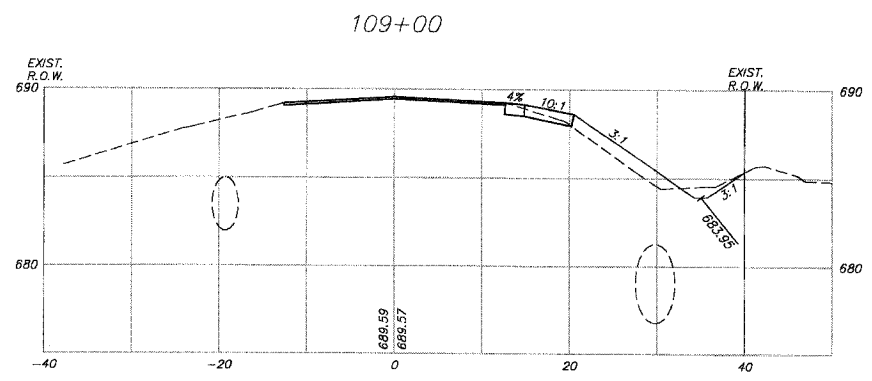


F.A.P. RTE.	SECTION	COUNTY	TOTAL SHEETS	SHEET NO.
3762	01-00139-02-BR	WILL	35	34
STA.	107+50	TO STA.	111+00	
FED. ROAD DIST. NO. 1	ILLINOIS HIGHWAY PROJECT		CONTRACT # 83802	



PLOT FILE STANDARD  
 VIEW: CE-34  
 COMP. FILE: C:\D159-021.dwg

REVISIONS	
NAME	DATE

**SMITH ENGINEERING CONSULTANTS, INC.**  
 CIVIL/STRUCTURAL ENGINEERS AND SURVEYORS  
 4600 PRIME PARKWAY, SUITE 201  
 McHENRY, ILLINOIS 60050  
 PH: 815-386-1170 FAX: 815-386-1781  
 www.smithengineering.com E-MAIL: sec@smithengineering.com  
 \* McHENRY \* HUNTLEY \* YORKVILLE  
 ILLINOIS PROFESSIONAL DESIGN FIRM # 184-000108

ILLINOIS DEPARTMENT OF TRANSPORTATION  
 WILL COUNTY DEPARTMENT OF HIGHWAYS  
 HARLEM AVENUE/DRECKSLER ROAD  
 OVER BLACK WALNUT CREEK  
 CROSS SECTIONS

SCALE: 1"=10' H, 1"=5' V  
 DATE 5-26-2005  
 DRAWN BY WJH  
 CHECKED BY JLP