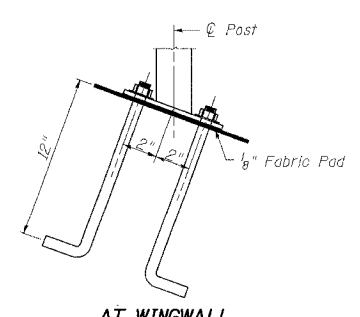
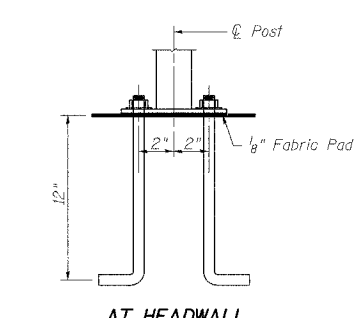
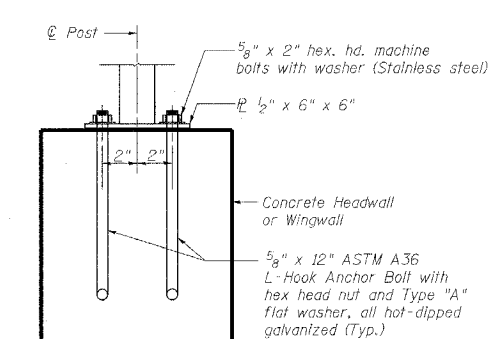
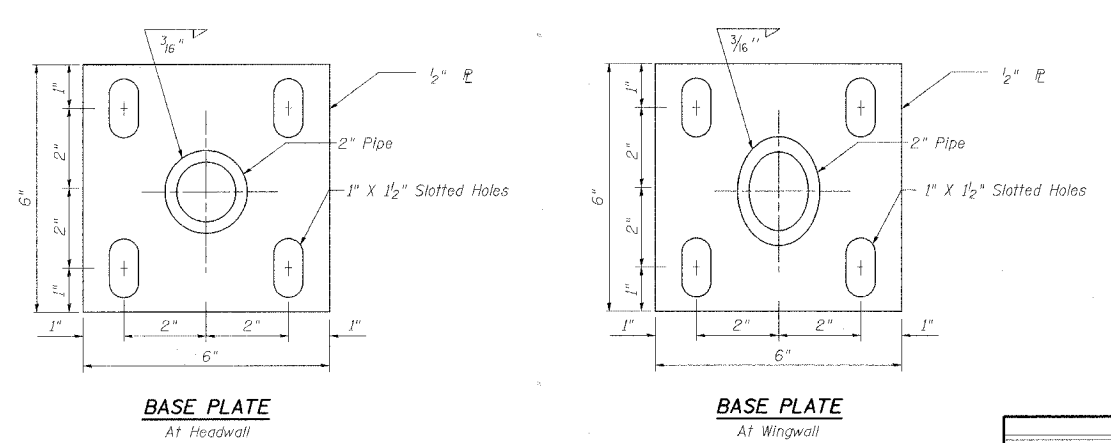
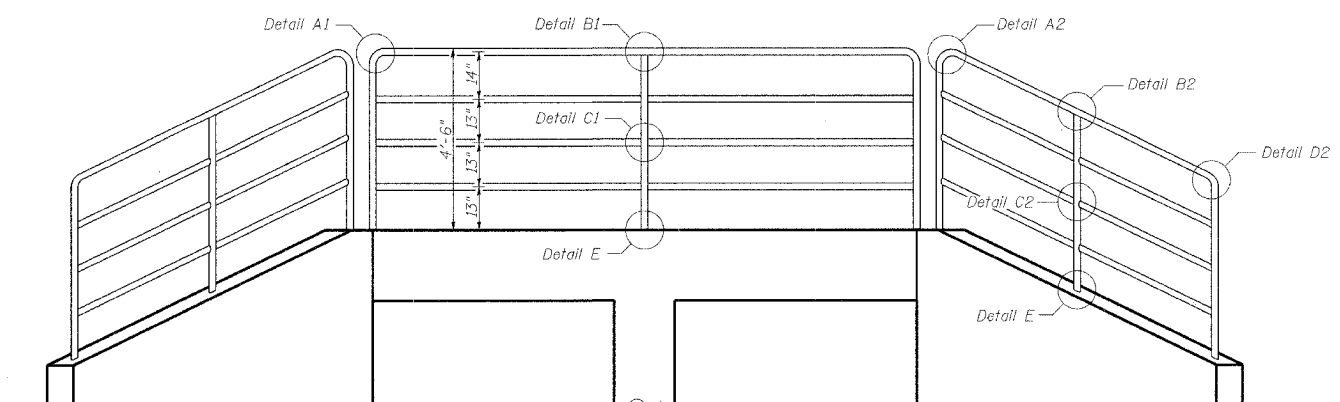
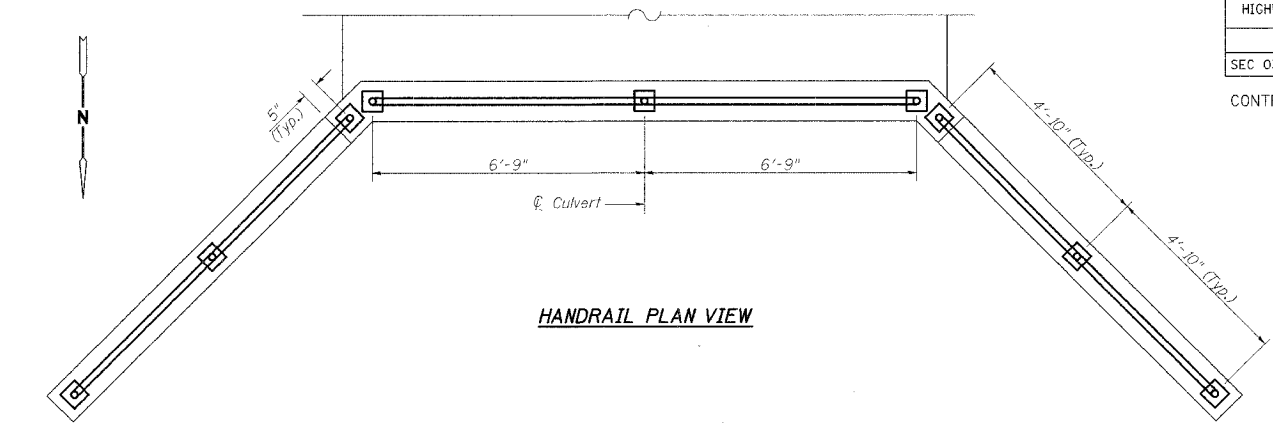
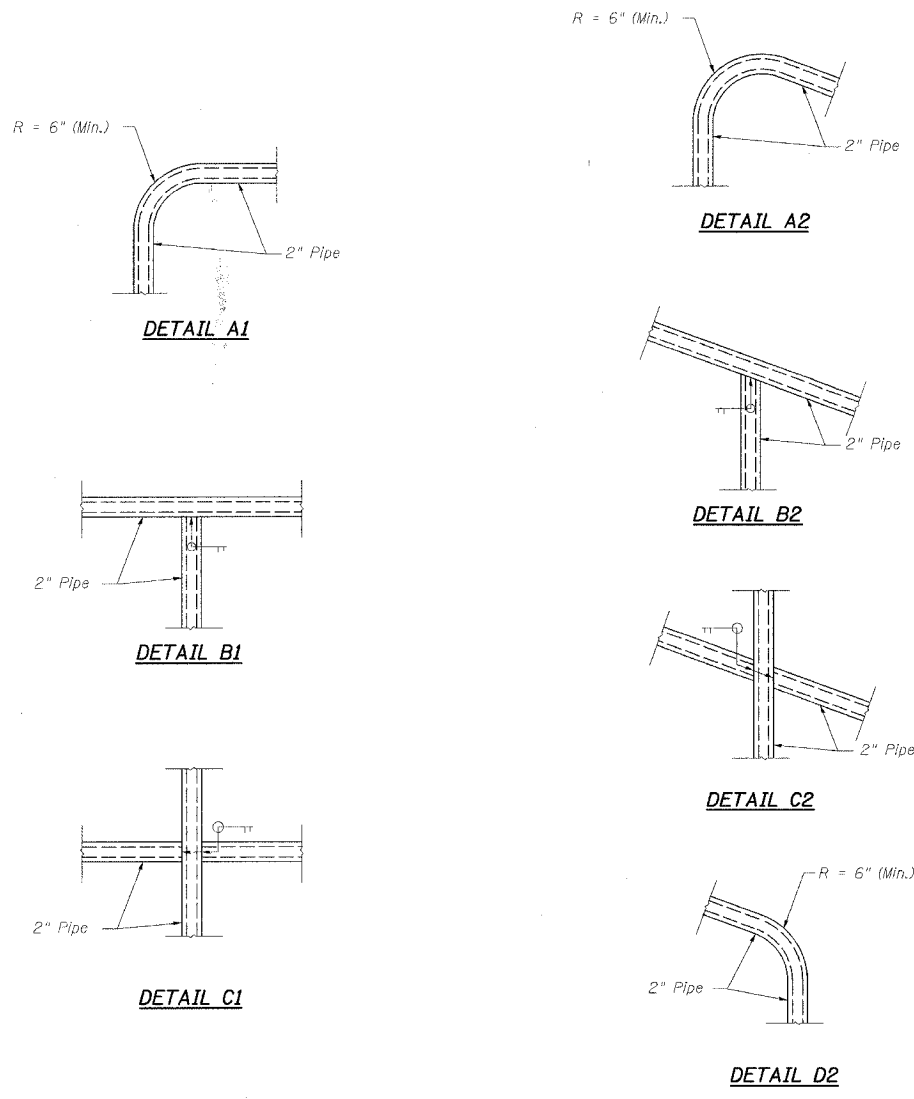


COUNTY HIGHWAY	FISCAL YEAR	TOTAL SHEETS	SHEET NO.
	2005	30	29
SEC 03-00001-06-BT			DUPAGE COUNTY
CONTRACT NO.: 83805			



**NOTES**

Wingwall handrails shall be fabricated to match the slope of the wingwalls.

Railing shall be according to Section 510 of the Standard Specifications, except as noted, and will be paid for at the Contract Unit Price per foot for Hand Rail.

Hollow structural steel tubing shall conform to the requirements of ASTM designation A 500, Grade B, structural steel tubing.

All other steel shapes and plates shall conform to requirements of AASHTO W 270 Grade 36.

If the option of drilling and epoxy grouting the anchor rods is chosen, the Contractor shall use the capsule or the adhesive cartridge type anchor rods that have been previously tested and given a prior approval by the Department. The Contractor shall install these anchor rods in pre-drilled holes according to the manufacturer's recommendations and procedures. The capsule or the adhesive cartridge shall be sealed with premeasured amounts of the adhesive chemical.

Space reinforcement to miss anchor rods.

All bolts, nuts, washers, and anchor rods shall be galvanized according to AASHTO M 232 except stainless steel bolts as noted.

Vent holes for galvanizing shall be placed in the posts and rails at locations that will not allow the accumulation of moisture in the members.

HANDRAIL SHALL BE PAINTED BLACK PER ARTICLE 510.05.

**BILL OF MATERIAL**

ITEM	UNIT	TOTAL
Pipe Handrail	Foot	33

1/17/2005 2:52:01 PM K:\1189000\Culvert\Handrail.dgn