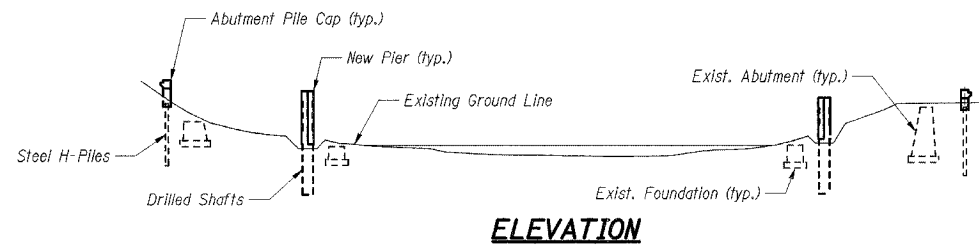


FAU RTE	SECTION	COUNTY	TOTAL SHEETS	SHEET NO.
7000	02-00212-00-BR	VERMILION	59	19
FROM STA. 96+00.00		TO STA. 103+10.10		
FED. ROAD DIST. NO.	ILLINOIS	FED. AID PROJECT		

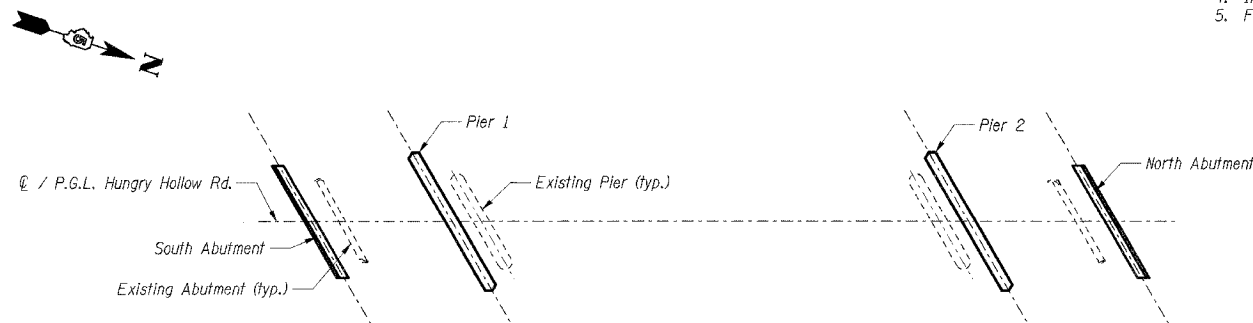
CONTRACT NO. 91285



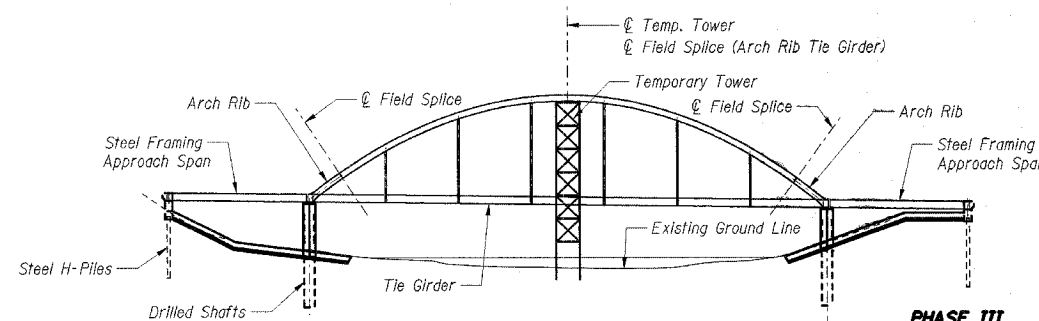
**ELEVATION**

**PHASE I**

1. Remove existing superstructure.
2. Remove existing piers and abutments to specified elevations.
3. Install steel piles for abutments and cast pile caps.
4. Install drilled shaft caissons for new piers.
5. Form and cast Piers 1 and 2.



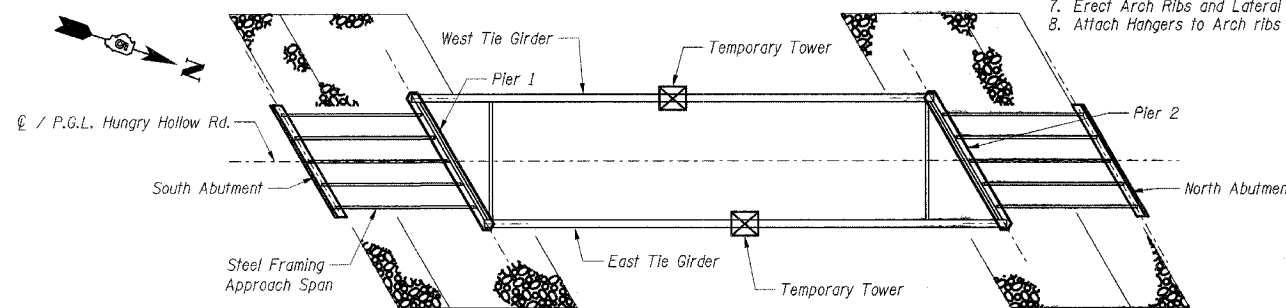
**PLAN**



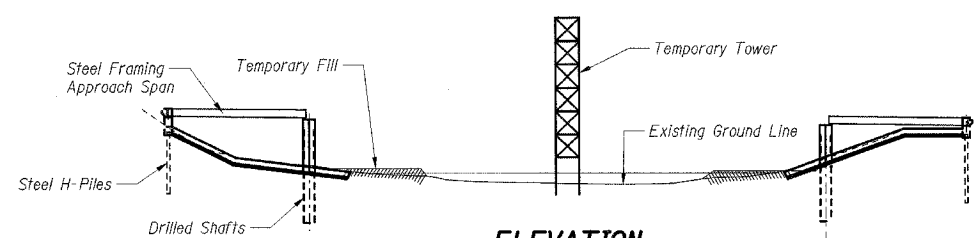
**ELEVATION**

**PHASE III**

1. Assemble arch rib field splices nearest knuckles.
2. Erect each half of arch rib supported at temporary tower and adjacent piers.
3. Field splice arch rib at  $\frac{1}{2}$  of span.
4. Field splice the tie-girders.
5. Erect Transverse Beams TB3 and TB5.
6. Erect Transverse Beams TB2 and TB4.
7. Erect Arch Ribs and Lateral Bracing.
8. Attach Hangers to Arch ribs and Tie Girders.



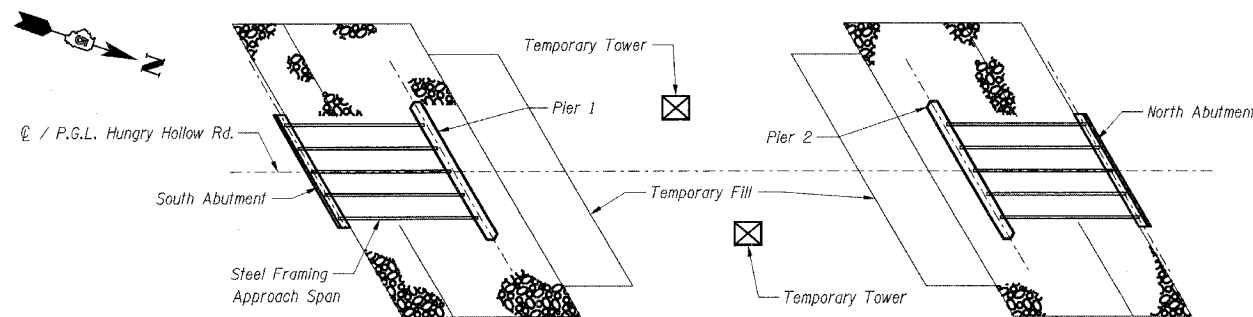
**PLAN**



**ELEVATION**

**PHASE II**

1. Install temporary fill adjacent to piers to facilitate steel framing erection.
2. Erect steel framing for approach spans.
3. Erect temporary tower for support of main span steel framing.
4. Install bearings.



**PLAN**

**Notes**

1. The construction schematic shown details one concept for erection of the bridge over the Vermillion River. Other proposed concepts shall be submitted to the Engineer for review. Only construction staging concepts approved by the Engineer may be executed.
2. The Contractor is responsible for all temporary support details and falsework. Temporary support details shall be designed in accordance with AASHTO Standard Specifications for Bridge Temporary Works.
3. All Temporary support details for erection shall be at the Contractor's expense and shall be removed from the structure and the site before final acceptance. These items shall remain the property of the Contractor.

**SHT. S-04 OF 40**

REVISIONS	
NAME	DATE

CITY OF DANVILLE, ILLINOIS  
HUNGRY HOLLOW ROAD BRIDGE

**ERECTION SCHEMATICS - I**

SCALE: DRAWN BY LAR  
DATE 12/06/05 CHECKED BY

**TENG**

TENG & ASSOCIATES, INC.  
ENGINEERS ARCHITECTS PLANNERS  
306 N. MICHIGAN AVE. CHICAGO, IL 60610  
TELEPHONE 312.467.4000

S:\DOCUMENT\02336902\STRUCT\DRAWING\GFE00PTB.DGN 12-07-2005 13:53:00