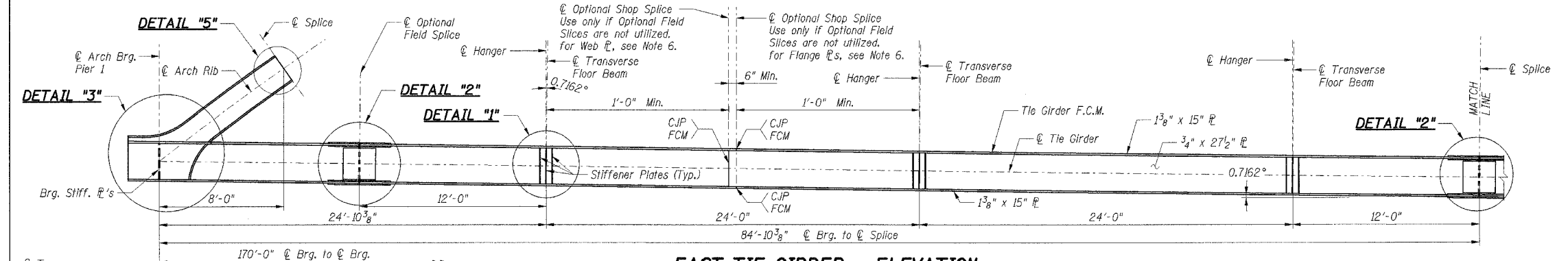
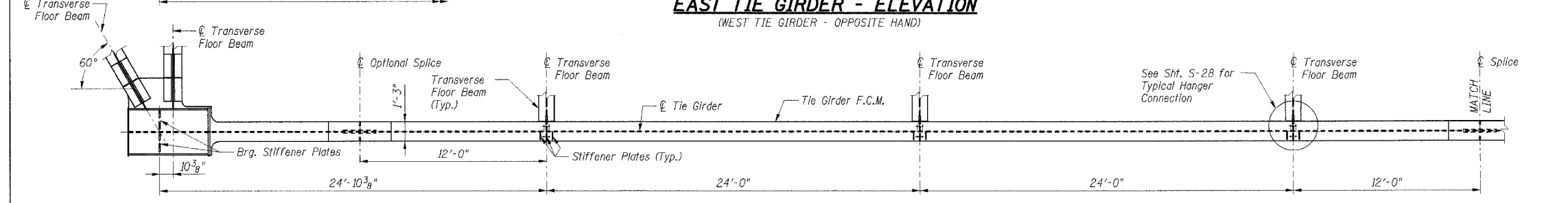


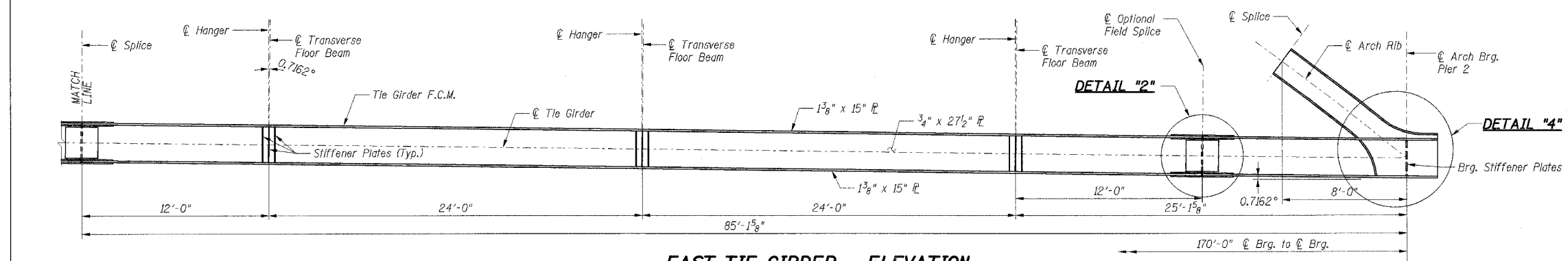
FAU RTE	SECTION	COUNTY	TOTAL SHEETS	SHEET NO.
7000	02-00212-00-BR	VERMILION	59	34
FROM STA. 96+00.00		TO STA. 103+10.10		
FED. ROAD DIST. NO.		ILLINOIS FED. AID PROJECT		
CONTRACT NO. 91285				



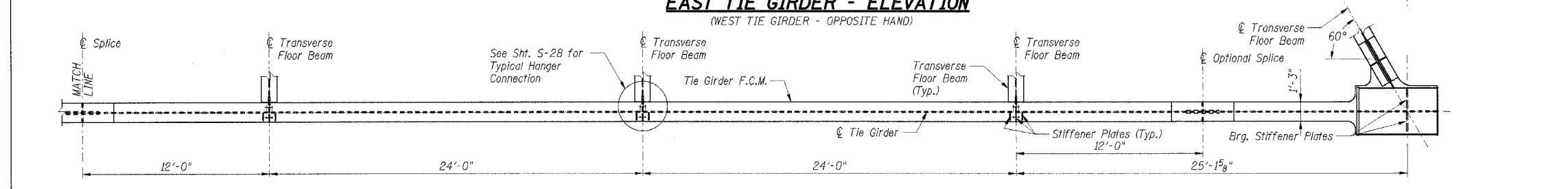
EAST TIE GIRDER - ELEVATION
(WEST TIE GIRDER - OPPOSITE HAND)



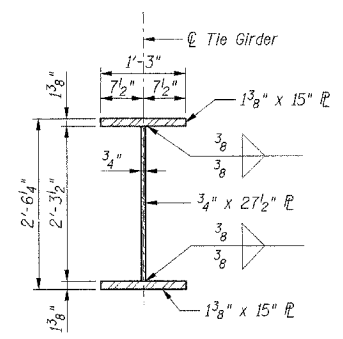
EAST TIE GIRDER - PLAN
(WEST TIE GIRDER - OPPOSITE HAND)



EAST TIE GIRDER - ELEVATION
(WEST TIE GIRDER - OPPOSITE HAND)



EAST TIE GIRDER - PLAN
(WEST TIE GIRDER - OPPOSITE HAND)



TYPICAL SECTION THRU TIE GIRDER

- Notes:**
1. For Details "1" & "2", see Sht. S-20.
 2. For Detail "3", see Sht. S-21.
 3. For Detail "4", see Sht. S-22.
 4. For Detail "5", see Sht. S-27.
 5. Members and Member Components designated F.C.M. shall be subject to The Provisions for Fracture Critical Members.
 6. Locations of optional flange and web shop splices shall be subject to the approval of The Engineer.
For optional shop splice requirements refer to Standard Specification for Steel Structures, Section 505.04.

SHT. S-19 OF 40

REVISIONS	
NAME	DATE

CITY OF DANVILLE, ILLINOIS
HUNGRY HOLLOW ROAD BRIDGE

TIE GIRDER ELEVATION

SCALE: _____ DRAWN BY: LAR

DATE: 12/06/05 CHECKED BY: JRH

TENG

TENG & ASSOCIATES, INC.
ENGINEERS/ARCHITECTS/PLANNERS
205 N. MICHELAN AVENUE, DANVILLE, IL 60018
TELEPHONE: 815.955.9100

ROSS/STF
ATT00029.DGN, BME00PRL.DGN, NPRO0PRA.DGN
12-07-2005, 14:21:46
S:\DOCUMENT\023699\02\STRUCT\00A\BME00PRL.DGN