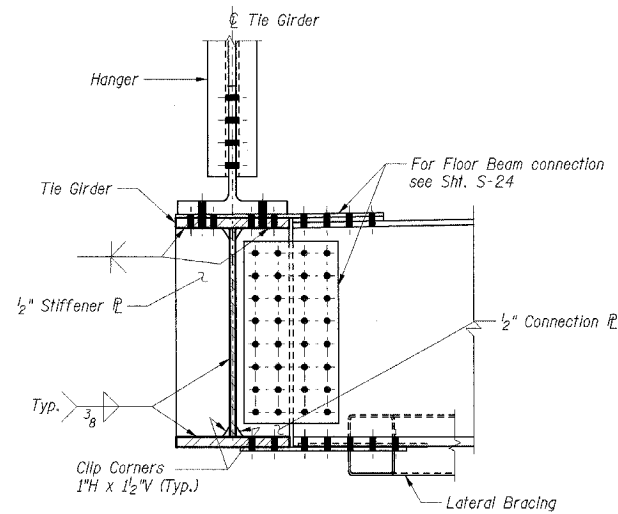
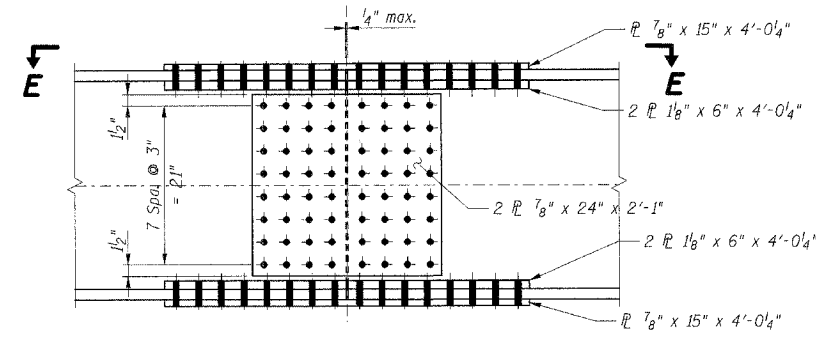


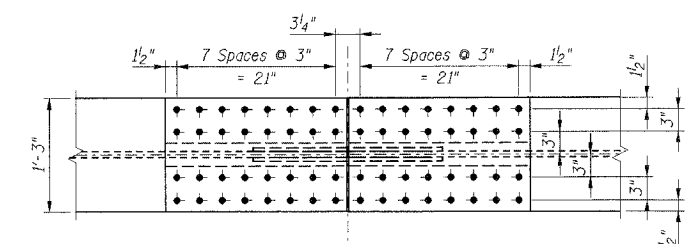
DETAIL "1" - TYP. TRANS. FLOOR BEAM CONNECTION



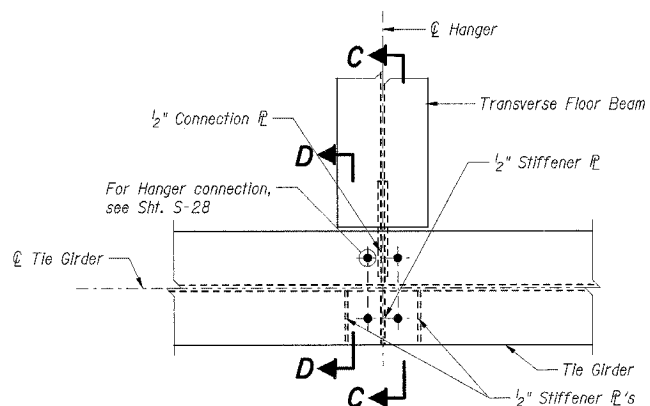
SECTION C-C



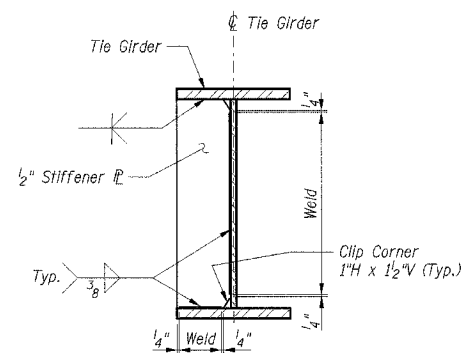
DETAIL "2" - TIE GIRDER SPLICE



SECTION E-E

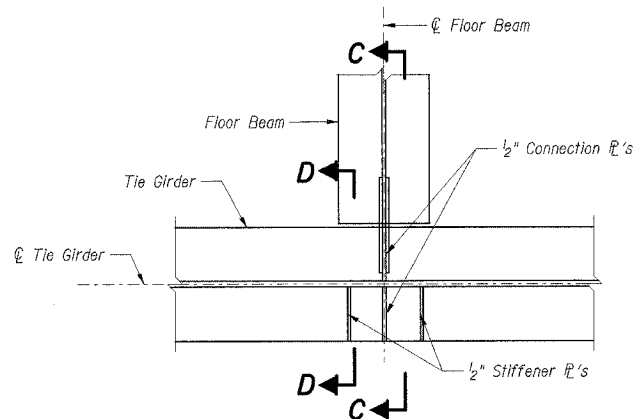


SECTION A-A



SECTION D-D

Typical for Vertical Stiffener Plates



SECTION B-B

- Notes:**
1. Work this Sheet with Sht. S-19.
 2. Members and Member Components designated F.C.M. shall be subject to The Provisions for Fracture Critical Members.
 3. All welds to the Girder shall be considered Fracture Critical.

SHT. S-20 OF 40

REVISIONS	
NAME	DATE

CITY OF DANVILLE, ILLINOIS
HUNGRY HOLLOW ROAD BRIDGE

TIE GIRDER SPLICE DETAILS

SCALE: DRAWN BY LAR
DATE 12/06/05 CHECKED BY JRH

TENG

TENG & ASSOCIATES, INC.
ENGINEERS ARCHITECTS PLANNERS
205 N. MICHIGAN - 4TH FLOOR, CHICAGO, IL 60602
TELEPHONE 846-6000