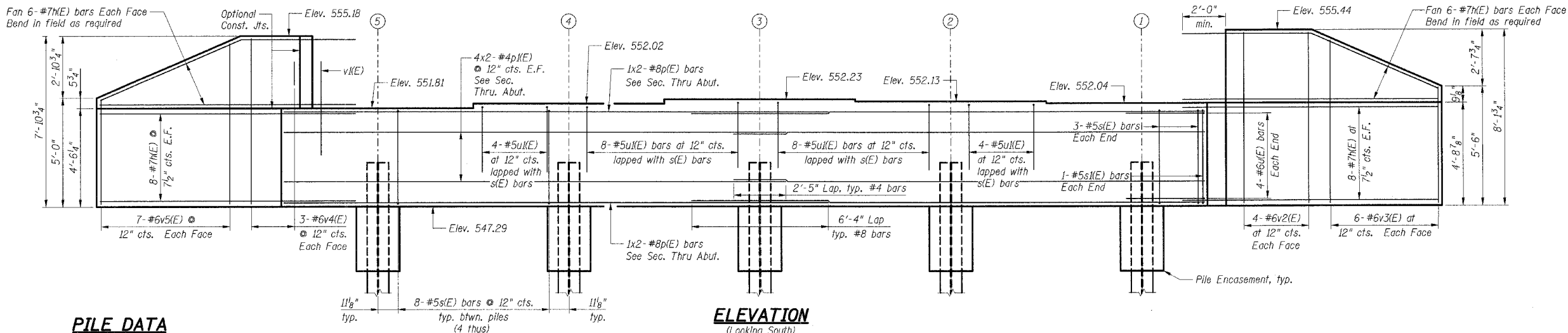


| | | | | |
|---------------------|----------------|---------------------------|--------------|-----------|
| FAU RTE | SECTION | COUNTY | TOTAL SHEETS | SHEET NO. |
| 7000 | 02-00212-00-BR | VERMILION | 59 | 47 |
| FROM STA. 96+00.00 | | TO STA. 103+10.10 | | |
| FED. ROAD DIST. NO. | | ILLINOIS FED. AID PROJECT | | |
| CONTRACT NO. 91285 | | | | |



BAR LIST

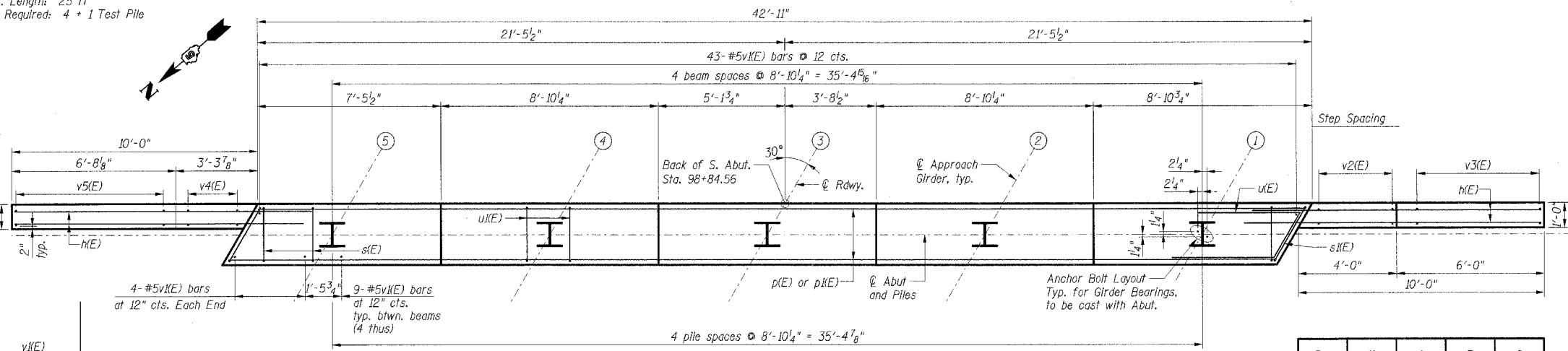
| Bar | No. | Size | Length | Shape |
|-------|-----|------|---------|-------|
| n(E) | 56 | #7 | 12'-6" | — |
| p(E) | 8 | #8 | 25'-3" | — |
| p(E) | 16 | #4 | 23'-4" | — |
| s(E) | 38 | #5 | 14'-0" | □ |
| s(E) | 2 | #5 | 14'-9" | □ |
| u(E) | 8 | #6 | 9'-7" | — |
| u(E) | 24 | #5 | 8'-2" | — |
| v(E) | 87 | #6 | 4'-4" | — |
| v2(E) | 8 | #6 | 7'-11" | — |
| v3(E) | 6 | #6 | 12'-10" | — |
| v4(E) | 6 | #6 | 7'-8" | — |
| v5(E) | 7 | #6 | 12'-3" | — |

BILL OF MATERIAL

| Item | Unit | Total |
|--------------------------------------|-------|-------|
| Porous Granular Embankment (Special) | Cu Yd | 89 |
| Concrete Structures | Cu Yd | 24 |
| Reinforcement Bars, Epoxy Coated | Lbs | 4,100 |
| Geocomposite Wall Drain | Sq Yd | 47 |
| Pipe Underdrains for Structures | Ft | 82 |
| Structure Excavation | Cu Yd | 129 |

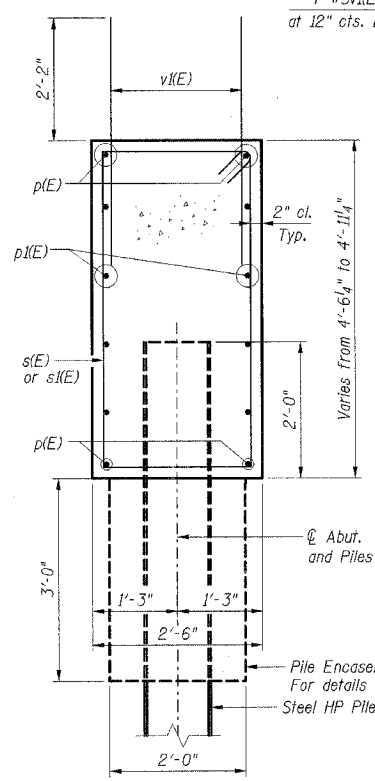
PILE DATA

Type: HP 12x53 with Metal Shoes
Capacity: 139.5 k
Est. Length: 25 ft
No. Required: 4 + 1 Test Pile

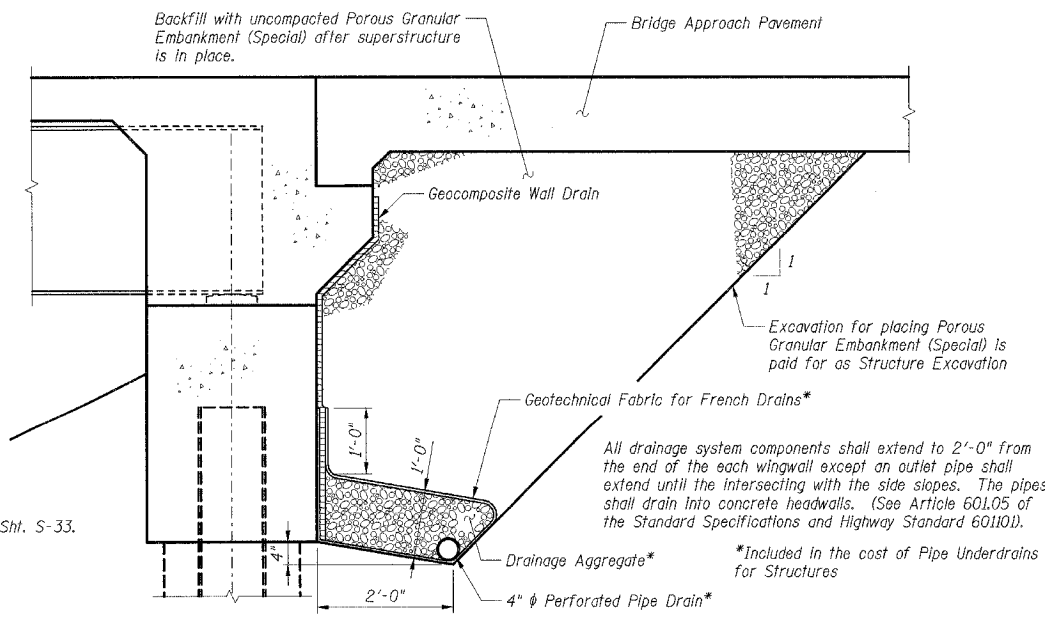


TOP PLAN

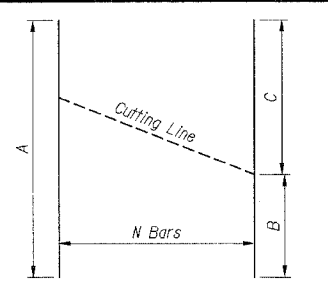
| Bar | N | A | B | C |
|-------|---|---------|--------|-------|
| v3(E) | 6 | 12'-10" | 5'-4" | 7'-6" |
| v5(E) | 7 | 12'-3" | 4'-10" | 7'-5" |



TYPICAL ABUTMENT SECTION
(Showing Geometry and Reinforcement)

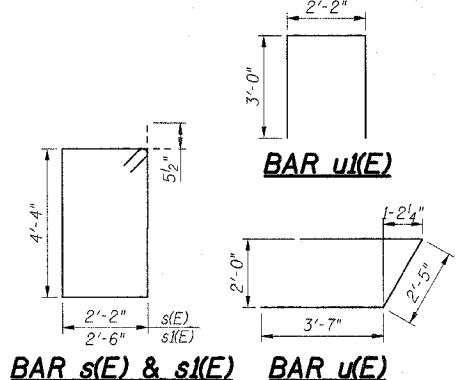


TYPICAL ABUTMENT SECTION
(Showing Drainage)



CUTTING DIAGRAM

Order v3(E) & v5(E) bars full length. Cut as shown and use remainder in opposite face.



SHT. S-32 OF 40

| REVISIONS | NAME | DATE |
|-----------|------|------|
| | | |
| | | |
| | | |
| | | |
| | | |

CITY OF DANVILLE, ILLINOIS
HUNGRY HOLLOW ROAD BRIDGE
SOUTH ABUTMENT
PLAN, ELEVATION & SECTION

SCALE: DATE 12/06/05 DRAWN BY LAR CHECKED BY JRH

TENG

TENG & ASSOCIATES, INC.
ENGINEERS ARCHITECTS PLANNERS
205 N. SECOND ST., SUITE 200, DANVILLE, IL 60018
TEL: 618.262.1100 FAX: 618.262.1101

- Notes:**
- Pour steps monolithically with cap.
 - Reinforcement bars designated (E) shall be epoxy coated.
 - Bars indicated thus 20x3-#5 etc. indicates 20 lines of bars with 3 lengths per line.
 - See Sht. S-33 for Pile Encasement details.
 - For anchor bolt details see Sheet S-31.

ATTORNEY IN CHARGE: JEFFREY L. DODD, JEFFREY L. DODD & ASSOCIATES, P.C., 100 W. PINE ST., SUITE 200, DANVILLE, IL 60018
12-07-2005, 15:25:32