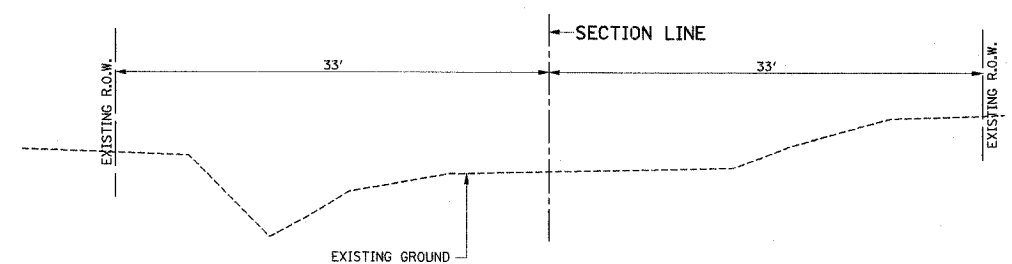
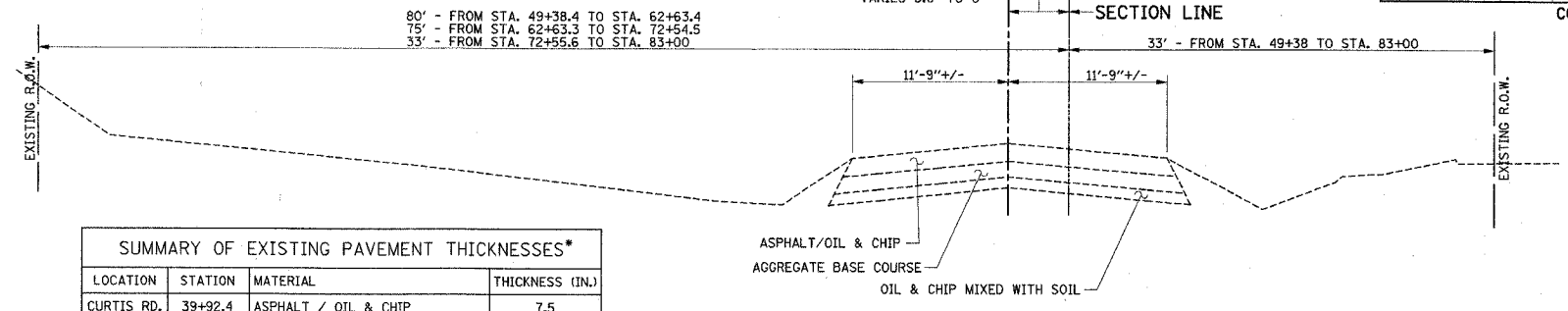


F.A.I.I. RTE.	SECTION	COUNTY	TOTAL SHEETS	SHEET NO.
807	00-00374-00-PV	CHAMPAIGN	149	11
STA.	TO STA.			
FED. ROAD DIST. NO. 7	ILLINOIS	F.A. PROJECT	M-5181(38)	

CONTRACT NO. 91308



**EXISTING TYPICAL CROSS SECTION
CURTIS ROAD
STA. 31+00 TO STA. 32+67**

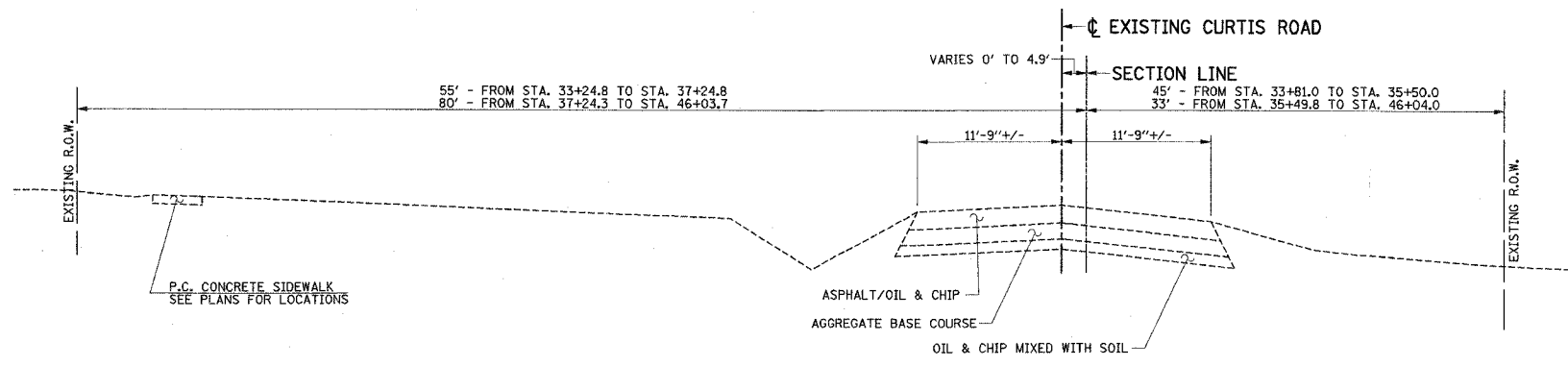


**EXISTING TYPICAL CROSS SECTION
CURTIS ROAD
STA. 49+38 TO STA. 66+00**

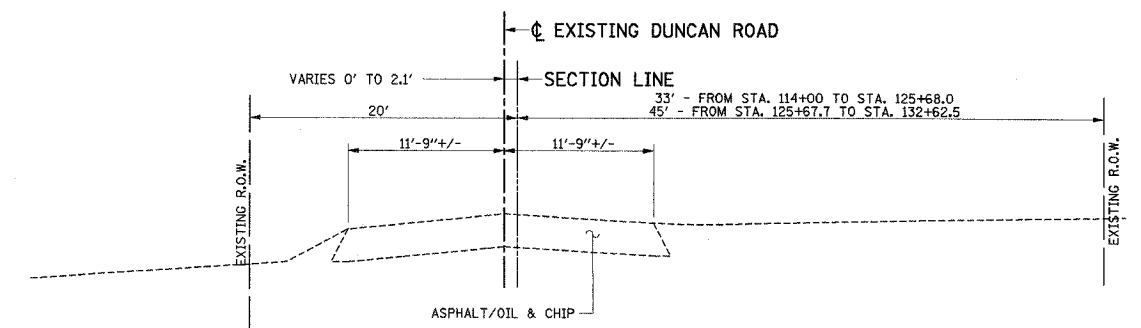
SUMMARY OF EXISTING PAVEMENT THICKNESSES*

LOCATION	STATION	MATERIAL	THICKNESS (IN.)
CURTIS RD.	39+92.4	ASPHALT / OIL & CHIP	7.5
		AGGREGATE BASE	4.5
		OLD OIL & CHIP MIXED WITH SOIL	2.0
CURTIS RD.	51+49.2	ASPHALT / OIL & CHIP	8.5
		AGGREGATE BASE	6.5
		OLD OIL & CHIP MIXED WITH SOIL	4.0
CURTIS RD.	57+93.9	ASPHALT / OIL & CHIP	7.5
		AGGREGATE BASE	7.5
		OLD OIL & CHIP MIXED WITH SOIL	4.0
CURTIS RD.	62+89.5	ASPHALT / OIL & CHIP	7.3
		AGGREGATE BASE	5.7
		OLD OIL & CHIP MIXED WITH SOIL	5.0

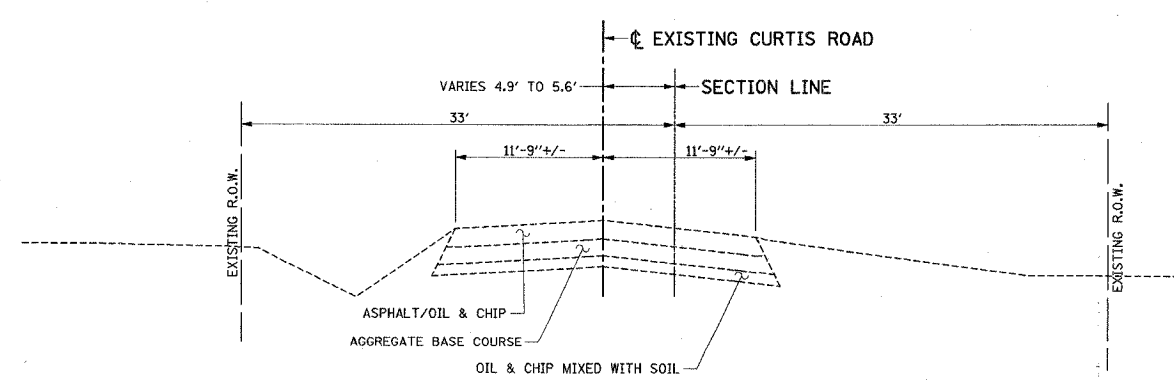
*AS MEASURED IN FIELD, ACTUAL THICKNESSES MAY VARY.



**EXISTING TYPICAL CROSS SECTION
CURTIS ROAD
STA. 33+50 TO STA. 46+04**



**EXISTING TYPICAL CROSS SECTION
DUNCAN ROAD
STA. 114+00 TO STA. 132+62**

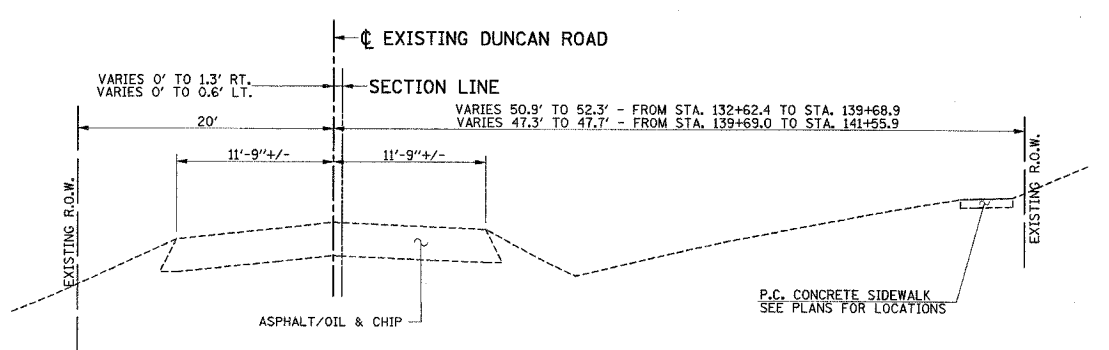


**EXISTING TYPICAL CROSS SECTION
CURTIS ROAD
STA. 46+04 TO STA. 49+38**

SUMMARY OF EXISTING PAVEMENT THICKNESSES*

LOCATION	STATION	MATERIAL	THICKNESS (IN.)
DUNCAN RD.	121+56.4	ASPHALT / OIL & CHIP	12.3
DUNCAN RD.	128+01.3	ASPHALT / OIL & CHIP	15.0
DUNCAN RD.	134+95.3	ASPHALT / OIL & CHIP	12.0
DUNCAN RD.	140+38.0	ASPHALT / OIL & CHIP	9.0

*AS MEASURED IN FIELD, ACTUAL THICKNESSES MAY VARY.



**EXISTING TYPICAL CROSS SECTION
DUNCAN ROAD
STA. 132+62 TO STA. 140+66**

ILLINOIS DEPARTMENT OF TRANSPORTATION

EXISTING TYPICAL SECTIONS

DATE : 8-05
DRAWN BY : S.M.W.
CHECKED BY : R.L.H.

SCALE : NONE