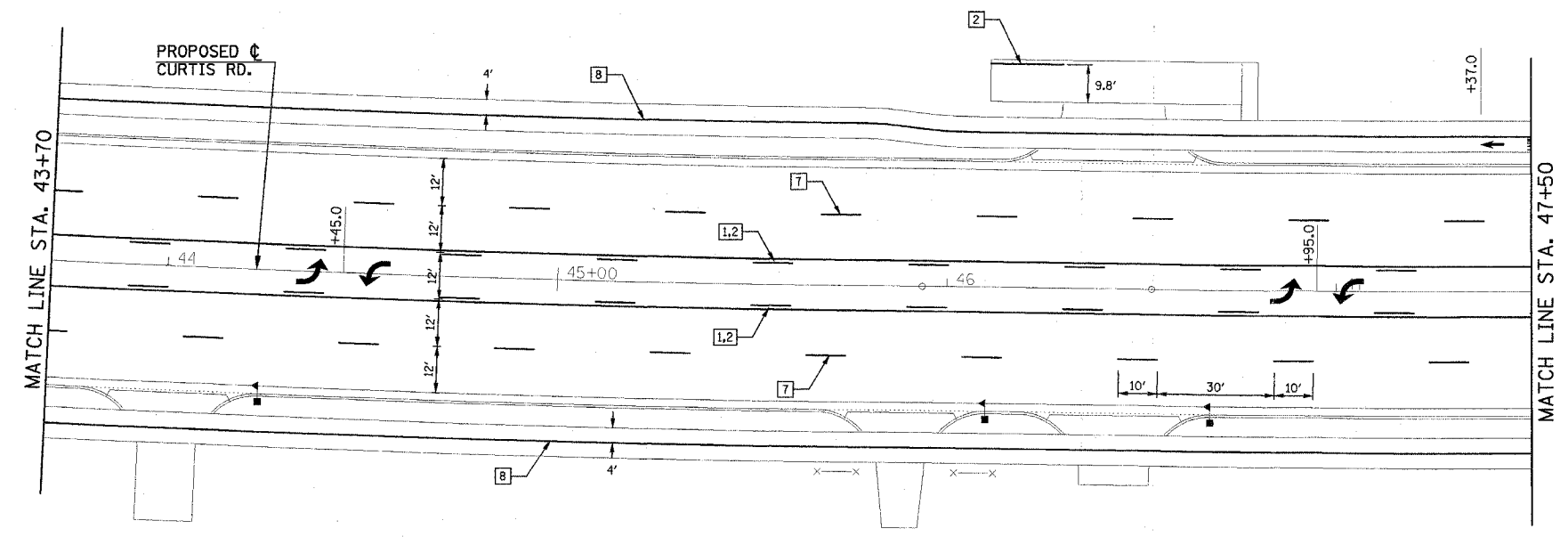
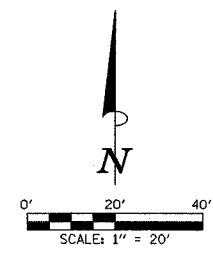


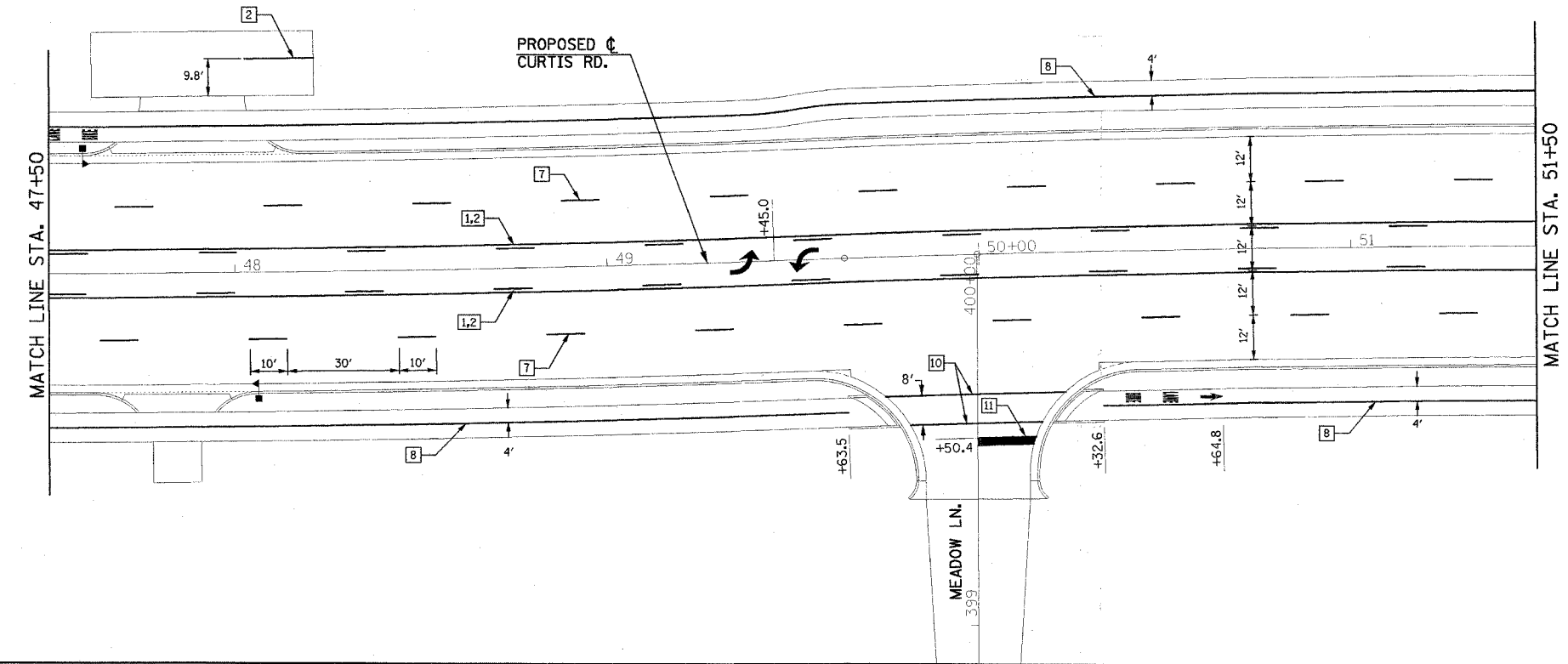
F.A.U. RT.	SECTION	COUNTY	TOTAL SHEETS	SHEET NO.
807	00-00374-00-PV	CHAMPAIGN	149	73
STA. 43+70		TO STA. 51+50		
FED. ROAD DIST. NO. 7	ILLINOIS	F.A. PROJECT	M-5181(38)	

CONTRACT NO. 91308



1 4" SKIP-DASH (YELLOW)	8 4" SOLID (WHITE)
2 4" SOLID (YELLOW)	9 12" DIAGONAL (WHITE)
3 12" DIAGONAL (YELLOW)	10 6" CROSSWALK (WHITE)
4 4" DOUBLE YELLOW (NARROW)	11 24" STOP BAR (WHITE)
5 4" DOUBLE YELLOW (WIDE)	12 8" SOLID (WHITE)
6 RESERVED	13 4" LANE LINE EXTENSIONS (WHITE)
7 4" SKIP-DASH (WHITE)	14 RESERVED

LOCATION	LETTERS (SQ FT)	SYMBOLS (SQ FT)	COMMENTS
31+03.0 C		15.6	LEFT ARROW
31+83.0 C		15.6	LEFT ARROW
33+53.0 C		15.6	LEFT ARROW
127+29.0 C		15.6	LEFT ARROW
127+29.0 RT.		15.6	RIGHT ARROW
129+06.0 LT.		15.6	RIGHT ARROW
129+06.0 C		15.6	LEFT ARROW
34+13.7 C		15.6	LEFT ARROW
34+74.3 C		15.6	LEFT ARROW
35+35.0 C		15.6	LEFT ARROW
37+32.0 C		31.2	DOUBLE LEFT ARROW
33+34.1 RT. - 33+65.2 RT.	4.9		"BIKE"
33+34.1 RT. - 33+65.2 RT.	4.9		"LANE"
33+34.1 RT. - 33+65.2 RT.		4.4	DIRECTIONAL ARROW
126+96.8 RT. - 129+28.8 RT.	4.9		"BIKE"
126+96.8 RT. - 129+28.8 RT.	4.9		"LANE"
126+96.8 RT. - 129+28.8 RT.		4.4	DIRECTIONAL ARROW
39+30.0 C		15.6	LEFT ARROW
39+90.7 C		15.6	LEFT ARROW
40+51.4 C		15.6	LEFT ARROW
41+12.0 C		15.6	LEFT ARROW
40+95.8 RT. - 41+28.0 RT.	4.9		"BIKE"
40+95.8 RT. - 41+28.0 RT.	4.9		"LANE"
40+95.8 RT. - 41+28.0 RT.		4.4	DIRECTIONAL ARROW
41+03.5 LT. - 41+35.3 LT.	4.9		"BIKE"
41+03.5 LT. - 41+35.3 LT.	4.9		"LANE"
41+03.5 LT. - 41+35.3 LT.		4.4	DIRECTIONAL ARROW
44+45.0 C		31.2	DOUBLE LEFT ARROW
46+95.0 C		31.2	DOUBLE LEFT ARROW
49+45.0 C		31.2	DOUBLE LEFT ARROW
47+37 LT. - 47+69 LT.	4.9		"BIKE"
47+37 LT. - 47+69 LT.	4.9		"LANE"
47+37 LT. - 47+69 LT.		4.4	DIRECTIONAL ARROW
50+32.6 RT. - 50+64.8 RT.	4.9		"BIKE"
50+32.6 RT. - 50+64.8 RT.	4.9		"LANE"
50+32.6 RT. - 50+64.8 RT.		4.4	DIRECTIONAL ARROW
51+95.0 C		31.2	DOUBLE LEFT ARROW
54+45.0 C		31.2	DOUBLE LEFT ARROW
57+60.0 C		15.6	LEFT ARROW
58+33.5 C		15.6	LEFT ARROW
59+07.0 C		15.6	LEFT ARROW
53+15 LT. - 53+47 LT.	4.9		"BIKE"
53+15 LT. - 53+47 LT.	4.9		"LANE"
53+15 LT. - 53+47 LT.		4.4	DIRECTIONAL ARROW
58+97.4 LT. - 59+29.4 LT.	4.9		"BIKE"
58+97.4 LT. - 59+29.4 LT.	4.9		"LANE"
58+97.4 LT. - 59+29.4 LT.		4.4	DIRECTIONAL ARROW
60+26.2 RT. - 60+52.2 RT.	4.9		"BIKE"
60+26.2 RT. - 60+52.2 RT.	4.9		"LANE"
60+26.2 RT. - 60+52.2 RT.		4.4	DIRECTIONAL ARROW
125+77.0 C		15.6	LEFT ARROW
125+77.0 RT.		15.6	RIGHT ARROW
126+53.0 C		15.6	LEFT ARROW
126+53.0 RT.		15.6	RIGHT ARROW
129+79.5 C		15.6	LEFT ARROW
129+79.5 LT.		15.6	RIGHT ARROW
130+53.0 C		15.6	LEFT ARROW
130+53.0 LT.		15.6	RIGHT ARROW
129+67.7 LT. - 129+99.7 LT.	4.9		"BIKE"
129+67.7 LT. - 129+99.7 LT.	4.9		"LANE"
129+67.7 LT. - 129+99.7 LT.		4.4	DIRECTIONAL ARROW
SUBTOTAL	98.0	621.2	
TOTAL		719.2	



ILLINOIS DEPARTMENT OF TRANSPORTATION

PAVEMENT MARKING PLAN

DATE : 8-05
DRAWN BY : S.M.W.
CHECKED BY : R.L.H.

SCALE : 1"=20'