

TYPICAL APPLICATIONS OF URBAN PAVEMENT MARKINGS AND MARKERS

F.A.U. RTE.	SECTION	COUNTY	TOTAL SHEETS	SHEET NO.
807	00-00374-00-PV	CHAMPAIGN	149	80
STA.	TO STA.			
FED. ROAD DIST. NO. 7	ILLINOIS	F.A. PROJECT	M-5181(38)	

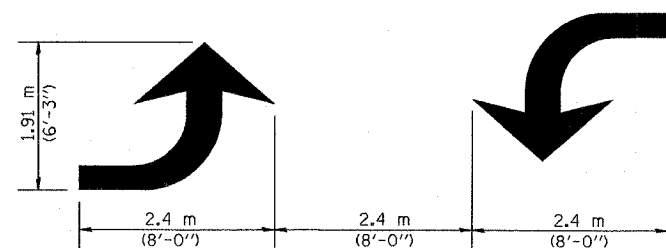
CONTRACT NO. 91308

TYPICAL PAVEMENT MARKING LEGEND

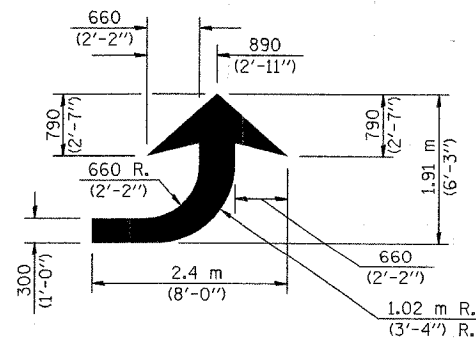
- 1 100 (4) SKIP-DASH (YELLOW)
 - 2 100 (4) SOLID (YELLOW)
 - 3 300 (12) DIAGONAL (YELLOW)
 - 4 100 (4) DOUBLE YELLOW (NARROW)
 - 5 100 (4) DOUBLE YELLOW (WIDE)
 - 6 RESERVED
 - 7 100 (4) SKIP-DASH (WHITE)
 - 8 100 (4) SOLID (WHITE)
 - 9 300 (12) DIAGONAL (WHITE)
 - 10 150 (6) CROSS WALK (WHITE)
 - 11 600 (24) STOP BAR (WHITE)
 - 12 200 (8) SOLID (WHITE)
 - 13 100 (4) LANE LINE EXTENSIONS (WHITE)
 - 14 RESERVED
-

TYPICAL PAVEMENT MARKERS LEGEND

- ◆ TWO-WAY AMBER MARKER
- ▶ ONE-WAY AMBER MARKER
- ▷ ONE-WAY CRYSTAL MARKER



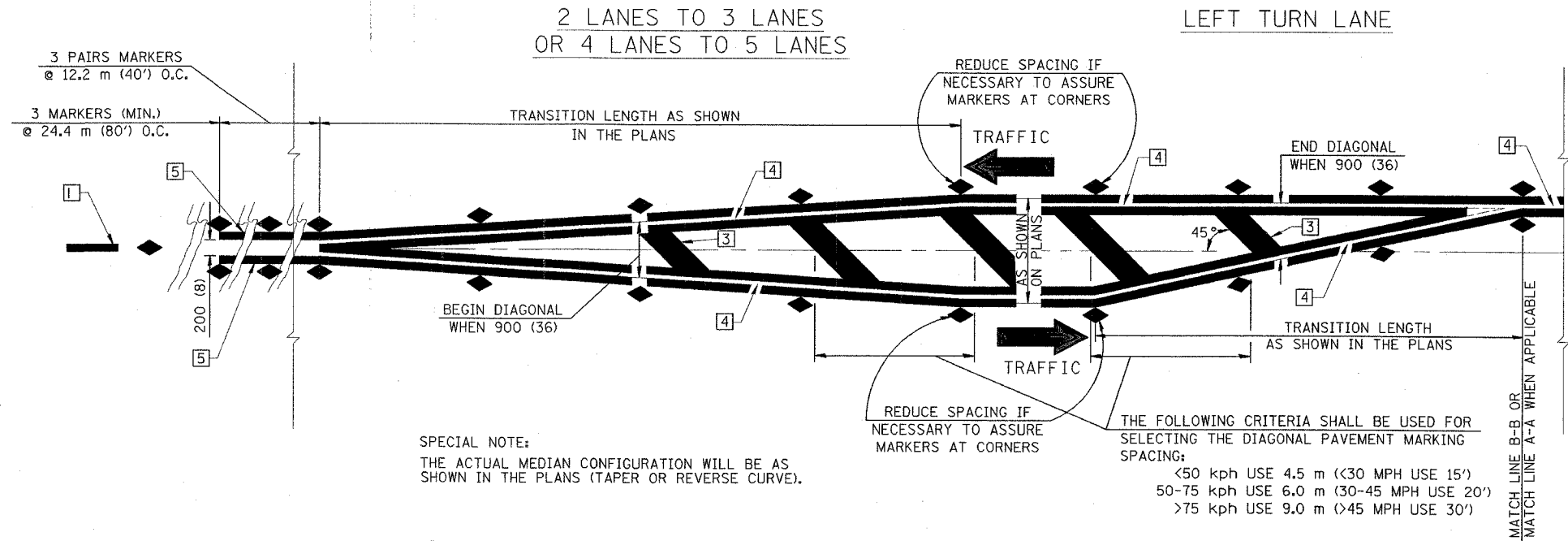
TYPICAL DOUBLE TURN ARROWS (WHITE)



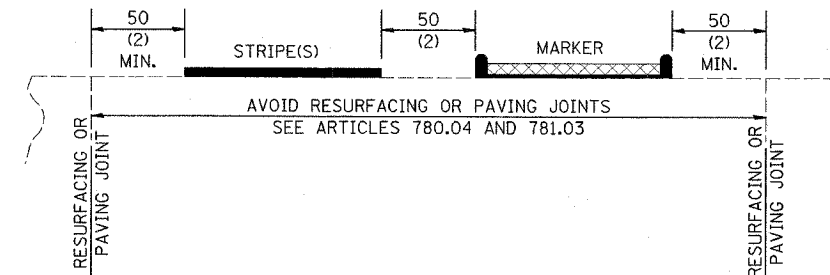
LEFT ARROW

REVERSE FOR RIGHT ARROW
AREA= 1.47 m² (15.6 SQ. FT.)
(WHITE)

All dimensions are in millimeters (Inches) unless otherwise shown.



TYPICAL MEDIAN TRANSITIONS



RELATIONSHIP OF STRIPES, MARKERS AND JOINTS

GENERAL NOTES

- WHEN PAVEMENT MARKINGS ARE TO BE PLACED ADJACENT TO MEDIANS, SPECIAL DETAILS WILL BE INCLUDED ELSEWHERE IN THE PLANS.
- SCALE: NONE
- SOME OF THE INFORMATION INCLUDED WITH THIS DETAIL MAY NOT BE APPLICABLE TO THIS IMPROVEMENT.
- PAVEMENT MARKINGS ARE TO BE EXTENDED THROUGH OMISSIONS WHEN APPLICABLE.
- A STRIPING KEY IS AVAILABLE ELSEWHERE AND SHALL BE SHOWN WHERE THE QUANTITIES ARE LISTED.
- FINAL PAVEMENT MARKINGS SHALL BE IN PLACE PRIOR TO PLACING ANY RAISED REFLECTIVE PAVEMENT MARKERS.

ILLINOIS DEPARTMENT OF TRANSPORTATION

PAVEMENT MARKING DETAILS

DATE : 8-05
DRAWN BY : S.M.W.
CHECKED BY : R.L.H.

SCALE : NONE