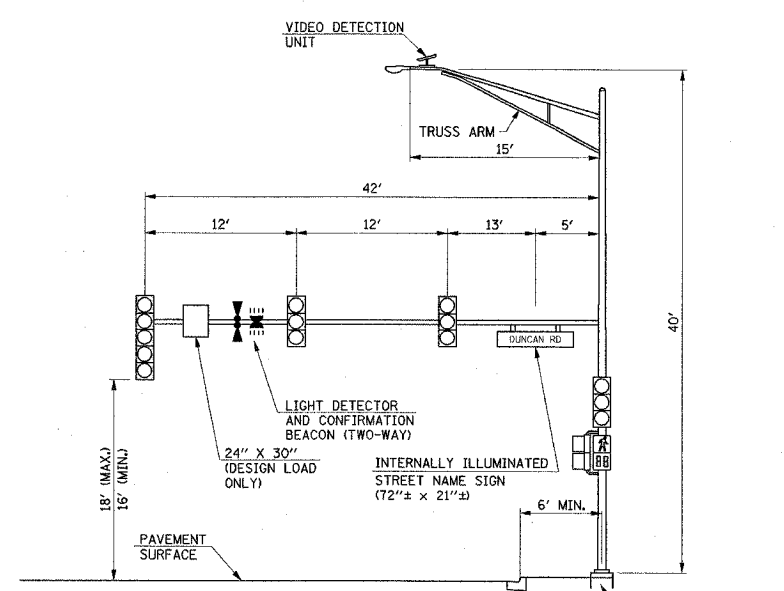
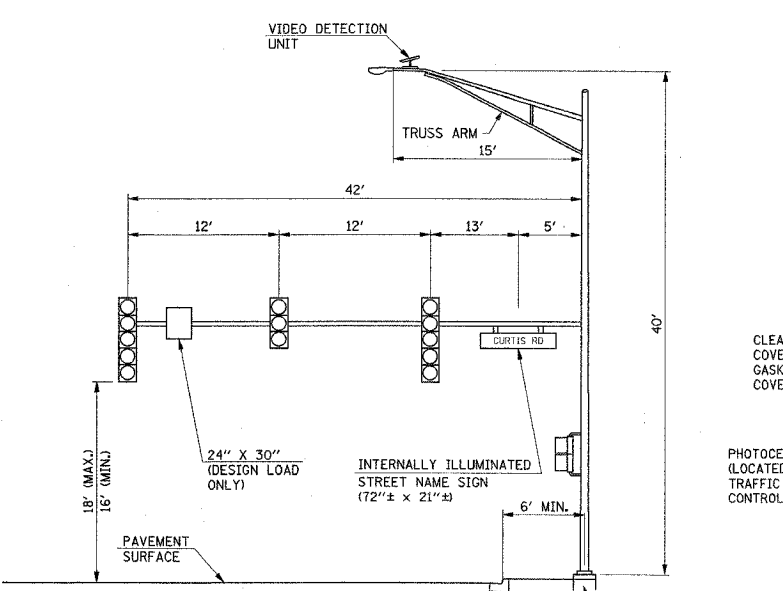


|                       |                |              |              |           |
|-----------------------|----------------|--------------|--------------|-----------|
| F.A.U. NO.            | SECTION        | COUNTY       | TOTAL SHEETS | SHEET NO. |
| 807                   | 00-00374-00-PV | CHAMPAIGN    | 149          | 87        |
| STA.                  | TO STA.        |              |              |           |
| FED. ROAD DIST. NO. 7 | ILLINOIS       | F.A. PROJECT | M-51B1(38)   |           |

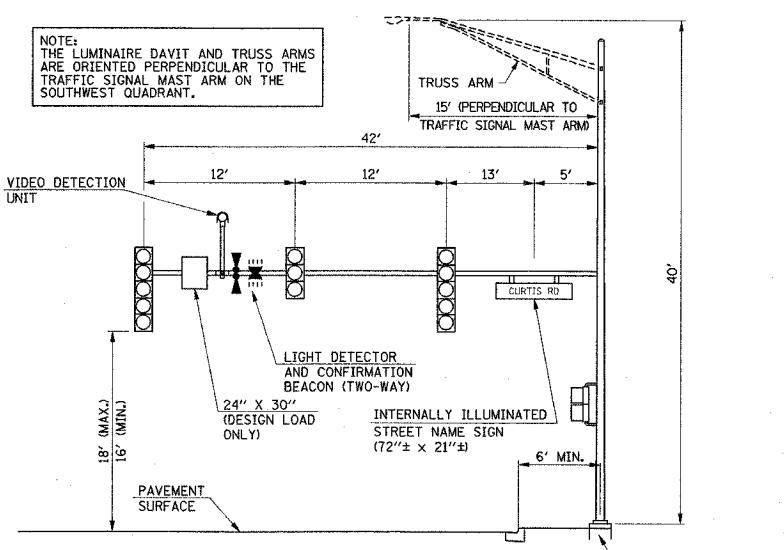
CONTRACT NO. 91308



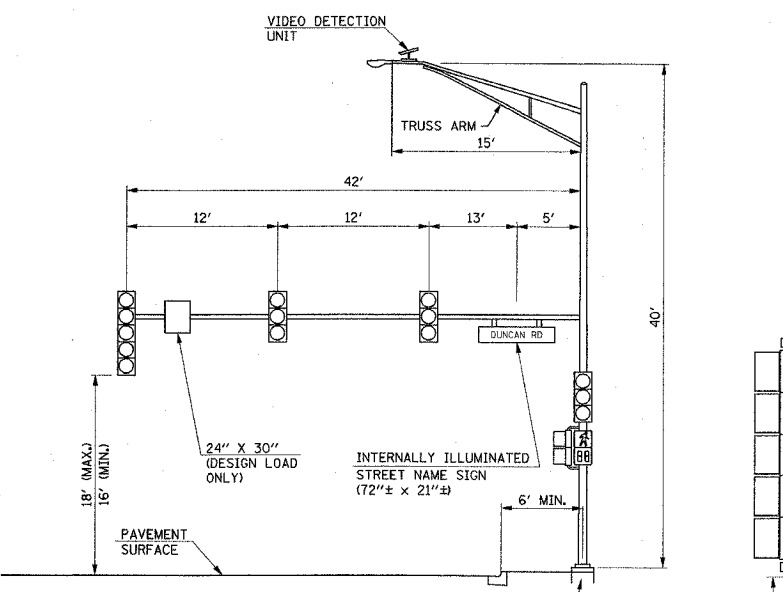
**MAST ARM LOADING DIAGRAM**  
NO SCALE  
CURTIS ROAD/DUNCAN ROAD INTERSECTION  
NORTHWEST QUADRANT  
TYPE E FOUNDATION  
DIAMETER = 36"



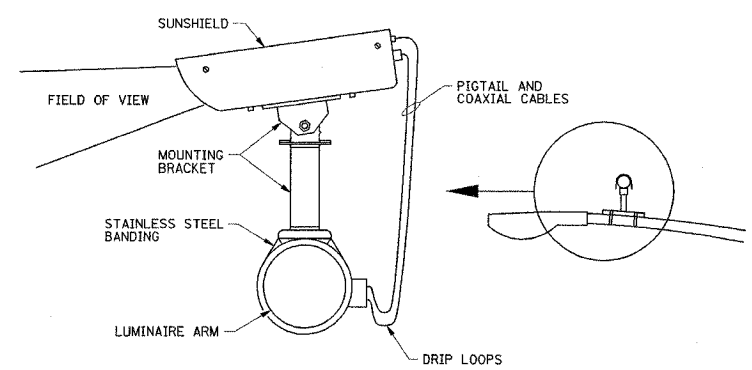
**MAST ARM LOADING DIAGRAM**  
NO SCALE  
CURTIS ROAD/DUNCAN ROAD INTERSECTION  
NORTHEAST QUADRANT  
TYPE E FOUNDATION  
DIAMETER = 36"



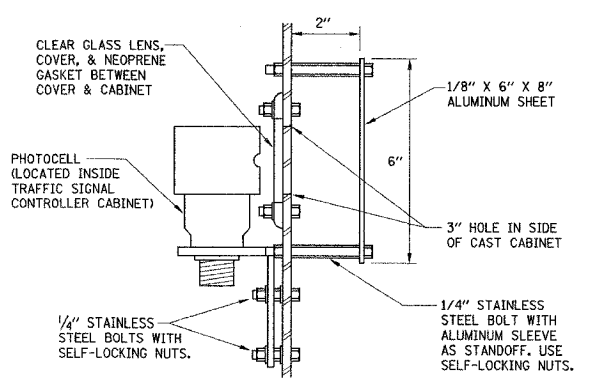
**MAST ARM LOADING DIAGRAM**  
NO SCALE  
CURTIS ROAD/DUNCAN ROAD INTERSECTION  
SOUTHWEST QUADRANT  
TYPE E FOUNDATION  
DIAMETER = 36"



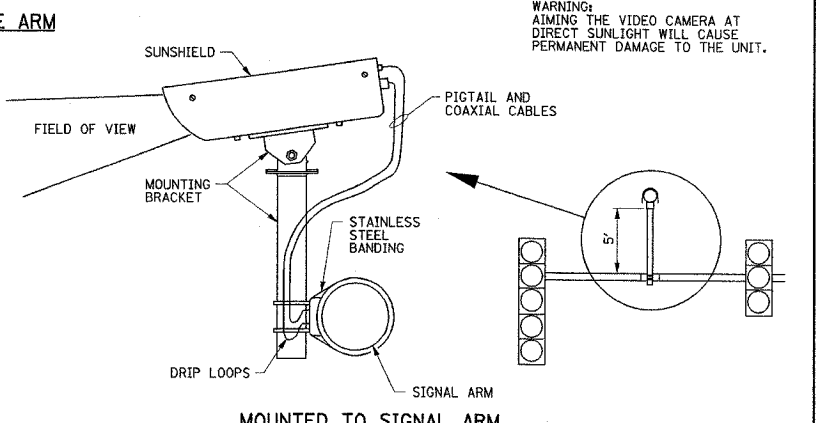
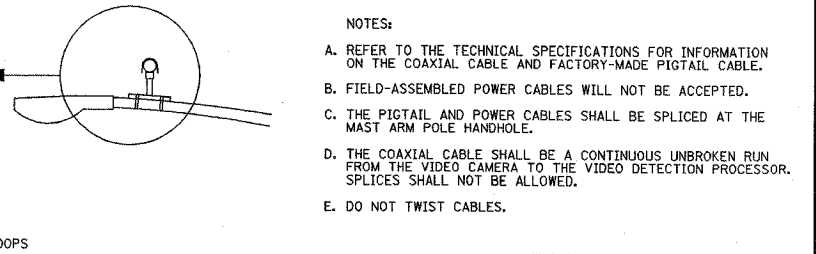
**MAST ARM LOADING DIAGRAM**  
NO SCALE  
CURTIS ROAD/DUNCAN ROAD INTERSECTION  
SOUTHEAST QUADRANT  
TYPE E FOUNDATION  
DIAMETER = 36"



**CABINET PHOTOCELL DETAIL**  
NO SCALE



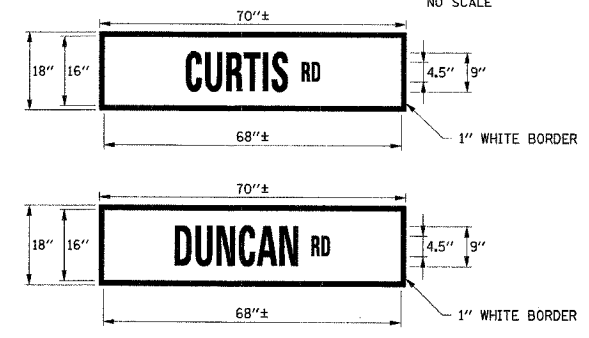
**CABINET PHOTOCELL DETAIL**  
NO SCALE



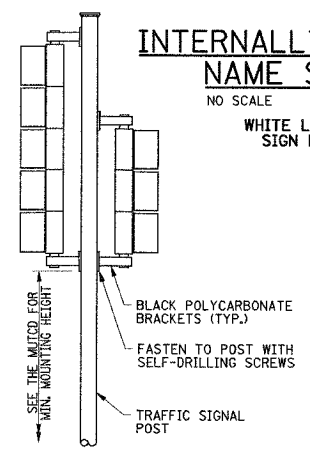
**VIDEO DETECTION UNIT MOUNTING DETAILS**  
NO SCALE

- NOTES:
- REFER TO THE TECHNICAL SPECIFICATIONS FOR INFORMATION ON THE COAXIAL CABLE AND FACTORY-MADE PIGTAIL CABLE.
  - FIELD-ASSEMBLED POWER CABLES WILL NOT BE ACCEPTED.
  - THE PIGTAIL AND POWER CABLES SHALL BE SPLICED AT THE MAST ARM POLE HANDHOLE.
  - THE COAXIAL CABLE SHALL BE A CONTINUOUS UNBROKEN RUN FROM THE VIDEO CAMERA TO THE VIDEO DETECTION PROCESSOR. SPLICES SHALL NOT BE ALLOWED.
  - DO NOT TWIST CABLES.

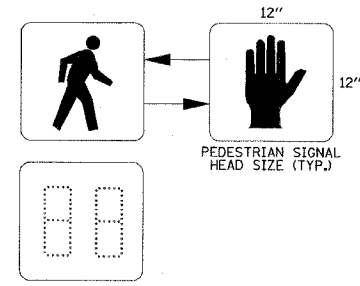
WARNING:  
AIMING THE VIDEO CAMERA AT DIRECT SUNLIGHT WILL CAUSE PERMANENT DAMAGE TO THE UNIT.



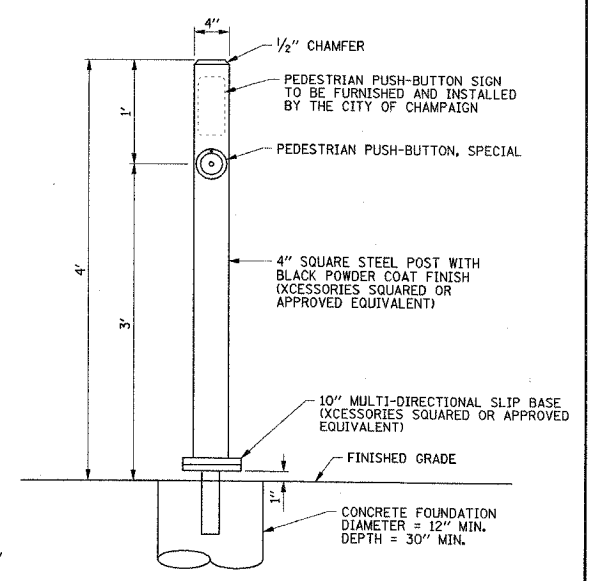
**INTERNALLY ILLUMINATED STREET NAME SIGN FACE DETAILS**  
NO SCALE  
WHITE LETTERING ON GREEN BACKGROUND  
SIGN LETTERING SHALL BE SERIES C



**TRAFFIC SIGNAL MOUNTING DETAILS**  
ONE 3-SECTION, ONE 5-SECTION  
BRACKET MOUNTED  
NO SCALE



**PEDESTRIAN COUNTDOWN SIGNAL DISPLAY DETAIL**  
NO SCALE



**PEDESTRIAN PUSH-BUTTON POST**  
NO SCALE

ILLINOIS DEPARTMENT OF TRANSPORTATION

TRAFFIC SIGNAL PLANS  
TRAFFIC SIGNAL DETAILS

DATE : 8-05  
DRAWN BY : S.M.W.  
CHECKED BY : J.T.P.

SCALE : NONE

SHEET 87 OF 149 SHEETS C01330

P:\C01330\GEOPAK\2DFILES\SIGNAL03.DGN