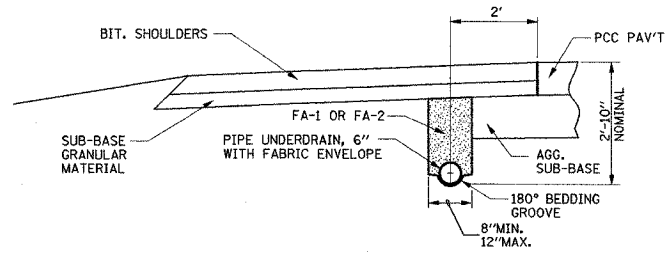
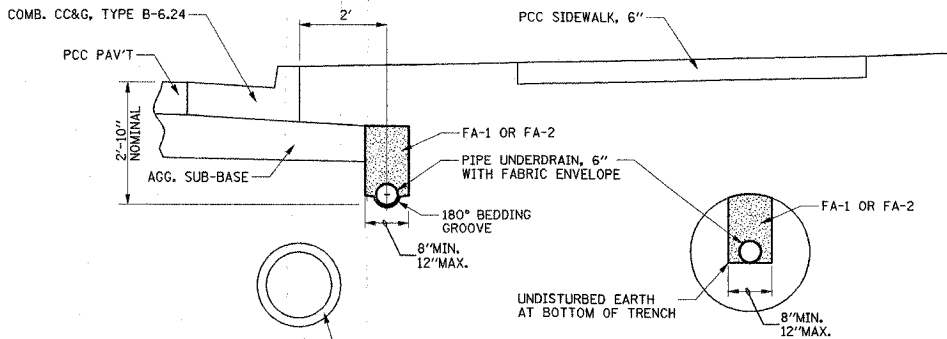


F.A.U. RTE.	SECTION	COUNTY	TOTAL SHEETS	SHEET NO.
807	00-00374-00-PV	CHAMPAIGN	149	100
STA.	TO STA.			
FED. ROAD DIST. NO. 7		ILLINOIS	F.A. PROJECT M-5181(38)	

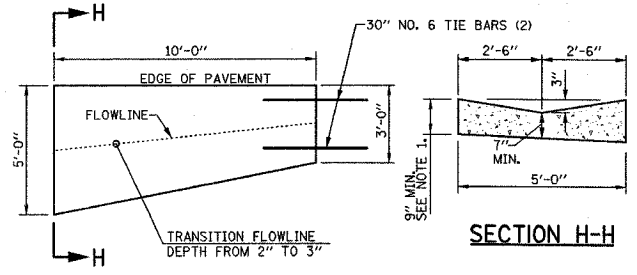
CONTRACT NO. 91308



**PIPE UNDERDRAIN DETAIL
BITUMINOUS SHOULDER TYPICAL SECTION**

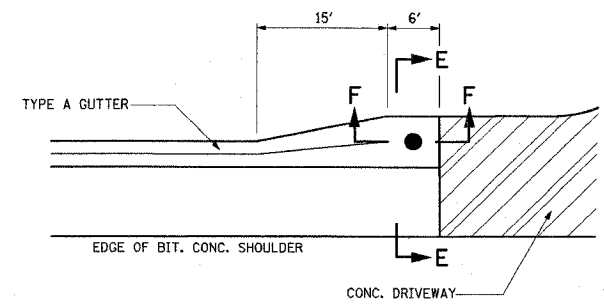


TRENCHING OPTION



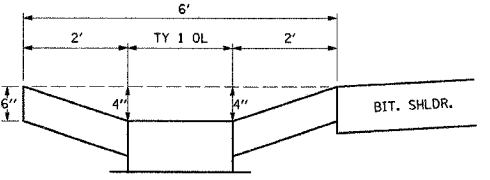
- NOTES:**
1. THE GUTTER OUTLET SHALL BE POURED TO THE FULL DEPTH OF THE ADJACENT PAVEMENTS WITH A MINIMUM THICKNESS OF 3/4" THE COST OF THE ADDITIONAL GUTTER THICKNESS SHALL BE CONSIDERED INCLUDED IN THE CONTRACT UNIT PRICE FOR CONCRETE GUTTER, TYPE A MEASURED ALONG THE GUTTER FLOWLINE.
 2. CONSTRUCTION OF THE GUTTER OUTLET WILL BE PAID FOR AT THE CONTRACT UNIT PRICE PER FOOT, MEASURED ALONG THE GUTTER FLOWLINE, FOR CONCRETE GUTTER, TYPE A.

DETAIL OF GUTTER OUTLET

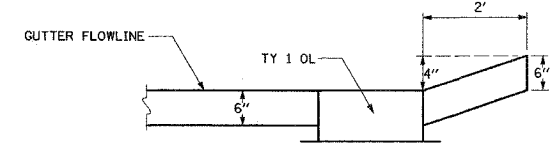


- NOTES:**
1. THE PIPE UNDERDRAINS SHALL BE PLACED AT THE LOCATIONS SHOWN ON THE PLAN AND PROFILE SHEETS.
 2. THE PIPE UNDERDRAINS SHALL BE OUTLET INTO PROPOSED DRAINAGE STRUCTURES AS SHOWN ON THE PLAN AND PROFILE SHEETS.
 3. THE PIPE UNDERDRAINS WILL BE PAID FOR AT THE CONTRACT UNIT PRICE PER FOOT WHICH WILL INCLUDE ALL LABOR, EQUIPMENT, PIPE, FABRIC ENVELOPE, TRENCHING, AND SAND BACKFILL.
 4. THE APPLICABLE ARTICLES OF SECTION 601 OF THE STANDARD SPECIFICATIONS SHALL APPLY EXCEPT DELETE ALL REFERENCE TO MEASUREMENT AND PAYMENT.

**PIPE UNDERDRAIN DETAIL
CURB & GUTTER TYPICAL SECTION**

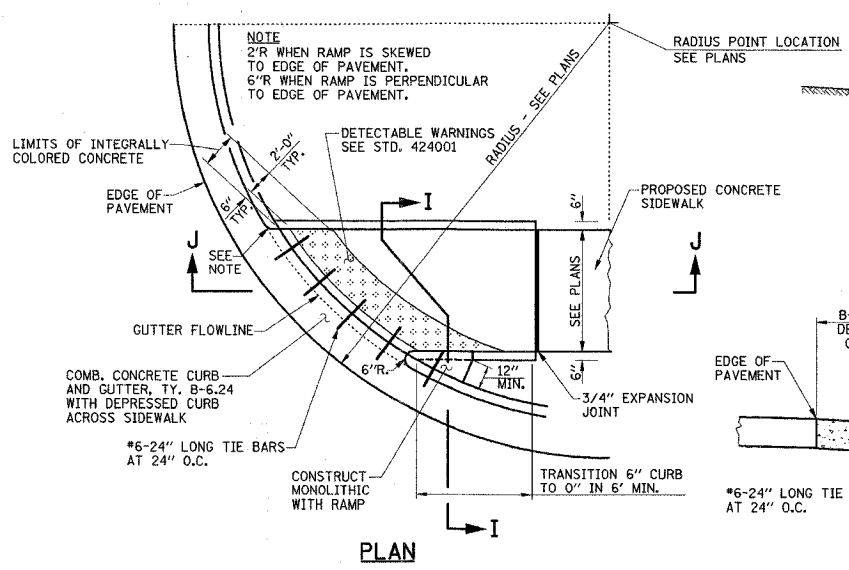


SECTION E-E

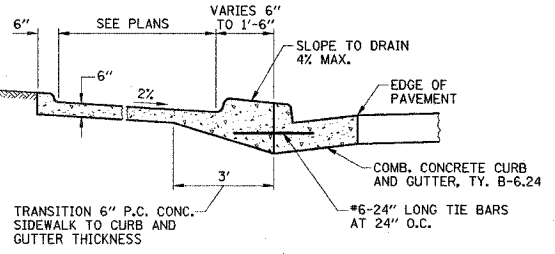


SECTION F-F

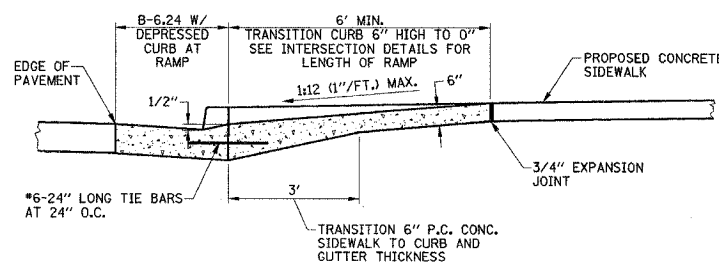
**DETAIL OF GUTTER OUTLET
DUNCAN RD. STA. 119+40.0, 23.0' LT.**



PLAN



SECTION I-I



SECTION J-J

SIDEWALK GENERAL NOTES

THE COST OF CONSTRUCTING THE DEPRESSED CURB AS SHOWN SHALL BE CONSIDERED INCLUDED IN THE COST OF CONSTRUCTING COMBINATION CONCRETE CURB AND GUTTER TYPE B-6.24 AND NO ADDITIONAL COMPENSATION WILL BE ALLOWED.

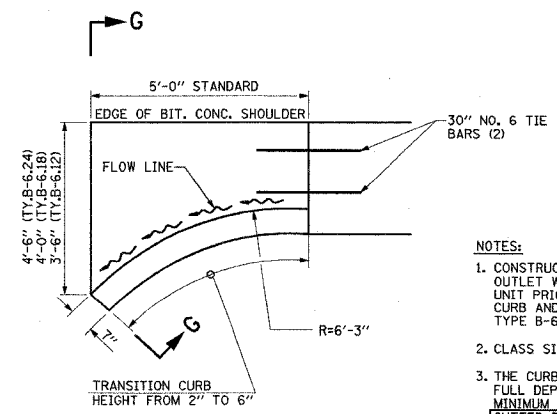
THE COST OF FURNISHING AND INSTALLING THE 3/4\"/>

THE DETECTABLE WARNINGS SHALL BE CONSTRUCTED IN ACCORDANCE WITH STANDARD 424001 AND THE SPECIAL PROVISIONS. THE DETECTABLE WARNINGS WILL BE PAID FOR AT THE CONTRACT UNIT PRICE PER SQUARE FOOT FOR DETECTABLE WARNINGS.

THE INTEGRALLY COLORED CONCRETE RAMP INCLUDING CURBS SHALL BE CONSTRUCTED IN ACCORDANCE WITH STD. 424001 AND THE SPECIAL PROVISIONS. THIS WORK WILL BE NOT PAID FOR SEPARATELY, BUT SHALL BE INCLUDED IN THE CONTRACT UNIT PRICE FOR P.C. CONCRETE SIDEWALK, 6\"/>

THE NORMAL CROSS SLOPES OF SIDEWALKS SHALL BE 2.0% EXCEPT AT THE RAMP LOCATIONS. TRANSVERSE GROOVED JOINTS SHALL BE PLACED AT 5' CENTERS AND 3/4\"/>

CONCRETE SIDEWALK RAMP DETAILS



DETAIL OF CURB & GUTTER OUTLET

- NOTES:**
1. CONSTRUCTION OF THE CURB AND GUTTER OUTLET WILL BE PAID FOR AT THE CONTRACT UNIT PRICE PER FOOT FOR COMBINATION CONC. CURB AND GUTTER, TYPE B-6.24, TYPE B-6.19 OR TYPE B-6.12 MEASURED ALONG THE GUTTER FLOWLINE.
 2. CLASS SI CONCRETE SHALL BE USED THROUGHOUT.
 3. THE CURB & GUTTER OUTLET SHALL BE POURED TO THE FULL DEPTH OF THE ADJACENT PAVEMENTS WITH A MINIMUM THICKNESS OF 9/16\"/>

ILLINOIS DEPARTMENT OF TRANSPORTATION

MISCELLANEOUS DETAILS

DATE : 8-05
DRAWN BY : S.M.W.
CHECKED BY : R.L.H.