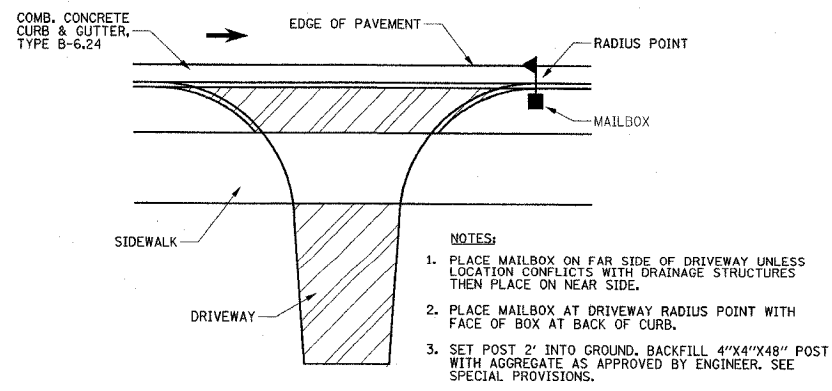
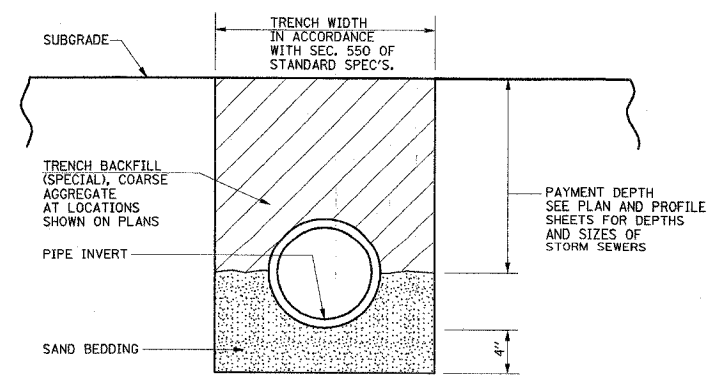


F.A.I. RTE.	SECTION	COUNTY	TOTAL SHEET NO.
B07	00-00374-00-PV	CHAMPAIGN	149
STA.	TO STA.		101
FED. ROAD DIST. NO. 7 ILLINOIS			F.A. PROJECT M-5181(58)

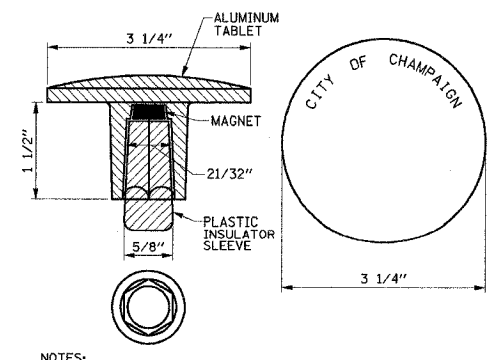
CONTRACT NO. 91308



TYPICAL MAILBOX LOCATION



TRENCH BACKFILL (SPECIAL) DETAIL

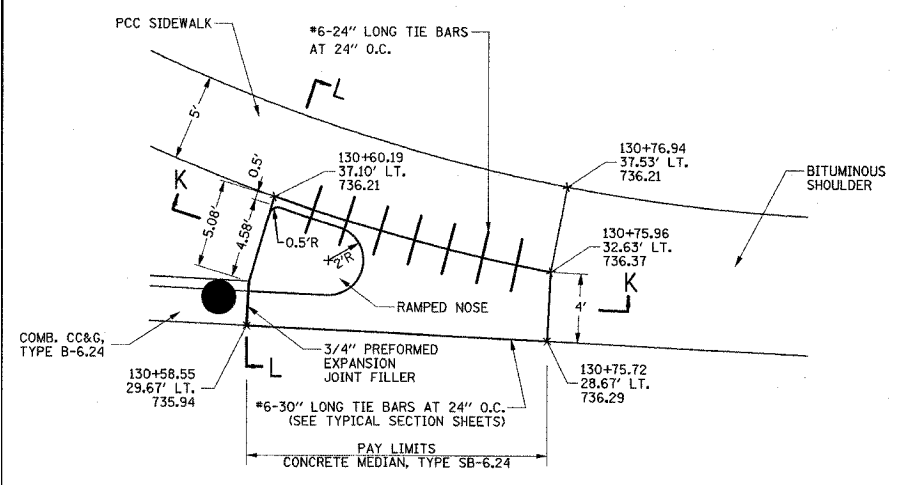


SPECIFICATIONS FOR ALUMINUM TABLET

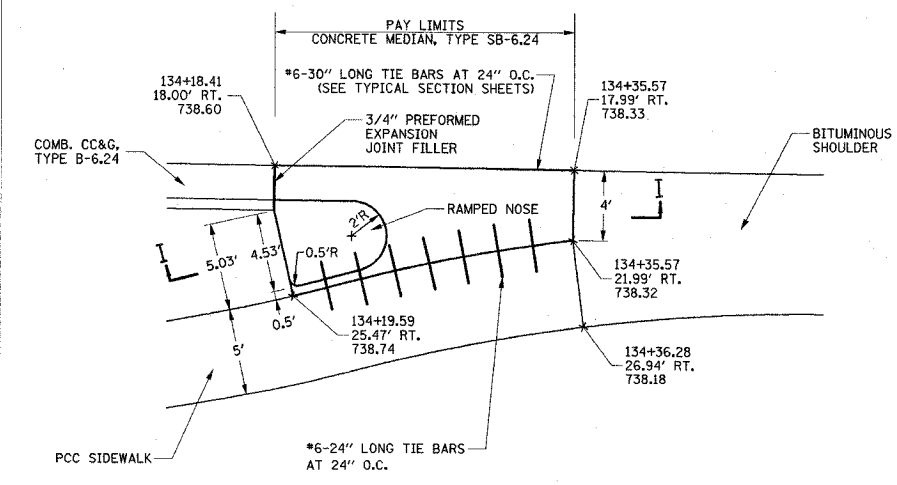
SURVEY CAP FOR REBAR. 3-1/4-INCH CONVEX SURVEY CAP FOR 5/8-INCH REBAR WITH CITY OF CHAMPAIGN LOGO. THIS LOGO SHALL PROVIDE LETTERS RECESSED INTO THE SURFACE A MINIMUM OF 0.031 (1/32) INCH FOR EASY AND LONG-TERM LEGIBILITY. THE ALUMINUM CAP FOR REBAR SHALL BE PRODUCED BY THE PROCESS OF ORBITAL FORGING TO PRODUCE A HIGH-STRENGTH AND DURABLE MARKER CAP WHICH WILL NOT CHIP OR BREAK AND PROVIDE A SMOOTH FINISH FOR STAMPING OF DATA IN THE FIELD.

THE ALUMINUM CAP FOR REBAR SHALL BE TAPERED FOR A PERFECT COMPRESSION FIT. A SPECIAL PLASTIC INSULATOR SHALL BE INSTALLED TO PREVENT DISSIMILAR METAL CONTACT AND CORROSION. THE PLASTIC INSULATOR SHALL FORM READILY TO THE OUTER SHAPE OF THE REBAR AND TO THE INNER SHAPE OF THE ALUMINUM CAP SOCKET. THE PLASTIC INSULATOR SHALL BE LOW DENSITY POLYETHYLENE, A MINIMUM 1-1/2-INCH LONG AND CONFORM TO FEDERAL SPECIFICATION L-P 390.

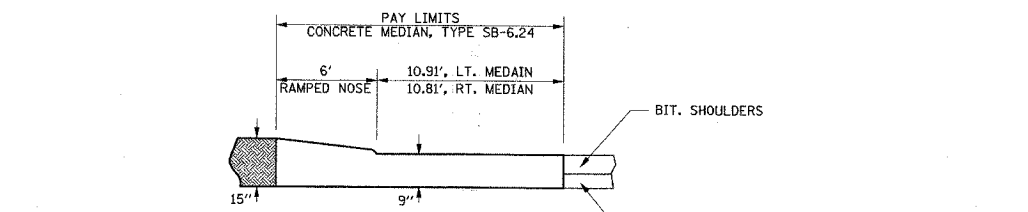
COMPOSITION: ALUMINUM 98.3-98.7%; OTHER 1.3-1.7%.
 STRENGTH: YIELD 28 KSI, ULTIMATE 32 KSI.
 ELONGATION: 15% (IN TWO INCHES).
 SPECIFICATIONS: ALUMINUM ALLOY 6101-O; ASTM B317-83 (EXCEPT TEMPER) AS FORGED. NO EXCEPTIONS.



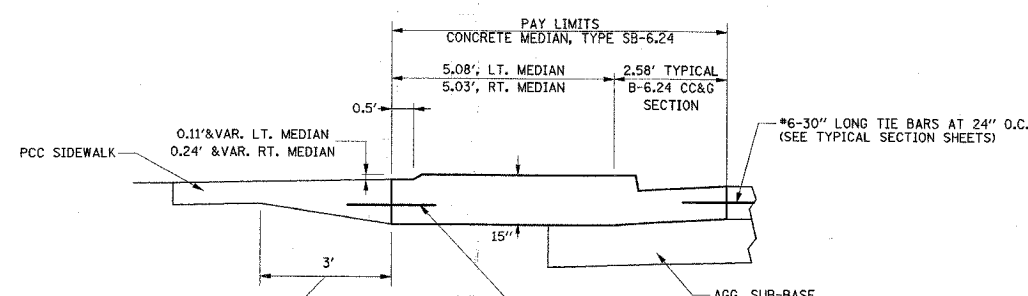
**CONCRETE MEDIAN, TYPE SB-6.24 DETAIL
LT. STA. 130+63.2**



**CONCRETE MEDIAN, TYPE SB-6.24 DETAIL
RT. STA. 134+22.9**



SECTION K-K

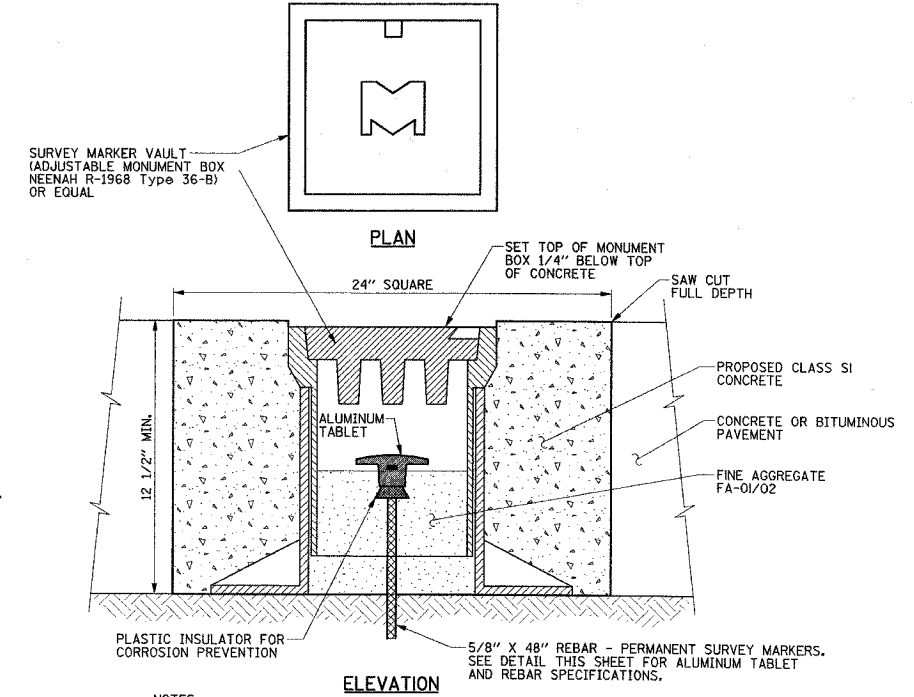


SECTION L-L

CONCRETE MEDIAN GENERAL NOTES

- THE RAMPED CONCRETE MEDIAN NOSE SHALL BE CONSTRUCTED IN ACCORDANCE WITH STD. 606301.
- THE COST OF FURNISHING AND INSTALLING THE 3/4" EXPANSION JOINTS, #6-24" LONG TIE BARS AND RAMPED NOSE SHALL BE INCLUDED IN THE COST OF CONSTRUCTING CONCRETE MEDIAN, TYPE SB-6.24 AND NO ADDITIONAL COMPENSATION WILL BE ALLOWED.
- THE COST OF CONSTRUCTING THE P.C.C. SIDEWALK THICKNESS TRANSITION AS SHOWN, SHALL BE INCLUDED IN THE COST OF CONSTRUCTING P.C. SIDEWALK 6" AND NO ADDITIONAL COMPENSATION WILL BE ALLOWED.

**PERMANENT SURVEY MARKER DETAIL
STA. 32+80.98, STA. 59+29.99**



**SURVEY MARKER VAULT DETAIL
STA. 32+80.98, STA. 59+29.99**

ILLINOIS DEPARTMENT OF TRANSPORTATION
MISCELLANEOUS DETAILS

DATE : 8-05
DRAWN BY : S.M.W.
CHECKED BY : R.L.H.