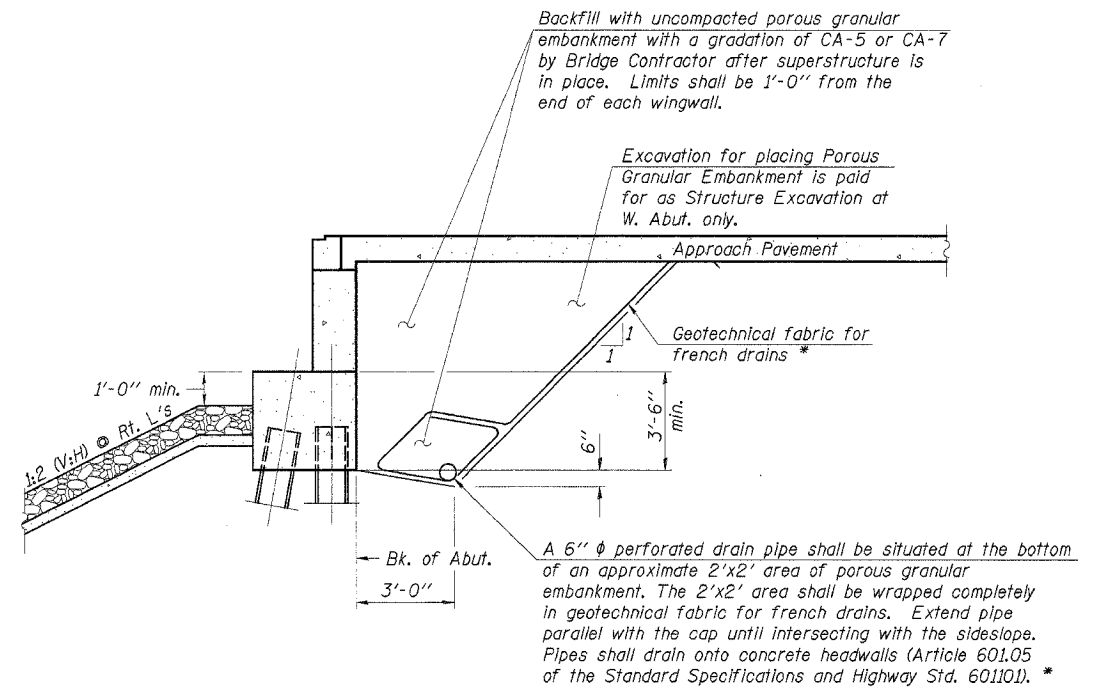
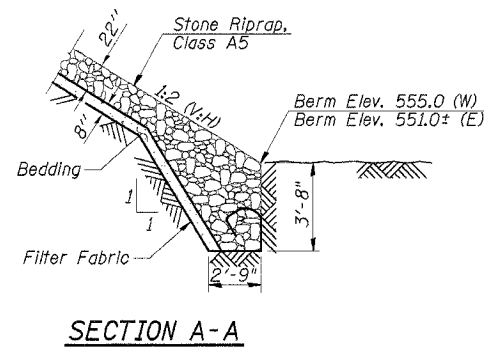
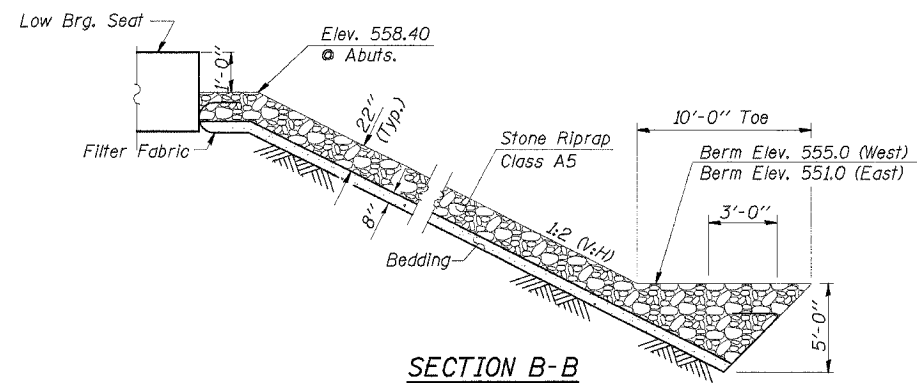


ROUTE NO.	SECTION	COUNTY	TOTAL SHEETS	SHEET NO.
FAS 429 C.H. 23	94-00087 -00-BR	HANCOCK	43	9
ROAD DIST.		ILLINOIS		

Contract No. 93401
Sheet 3 of 20



* Included in the cost of Porous Granular Embankment.

ABUTMENT DRAINAGE DETAIL

DESIGNED	A.R.K.
CHECKED	S.F.M., F.J.S.
DRAWN	S.A.P.
CHECKED	A.R.K., F.J.S.

MISCELLANEOUS DETAILS

SECTION 94-00087-00-BR
COUNTY HIGHWAY 23 - FAS ROUTE 429
HANCOCK COUNTY
STA. 313+34

4440 ASH GROVE SPRINGFIELD, IL 62711 (217) 793-8600 oasinc@tamvid.com	OZYURT AND STONE, INC. CONSULTING ENGINEERS	JOB NO.: 0319 FILE: 0319DETAIL.DGN DATE: 08/24/05
--	---	---