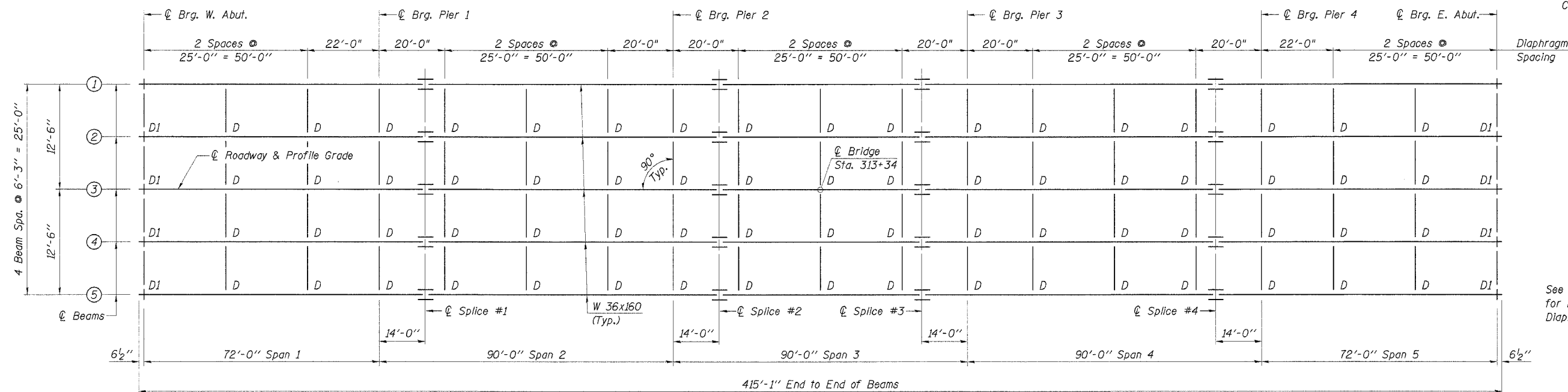
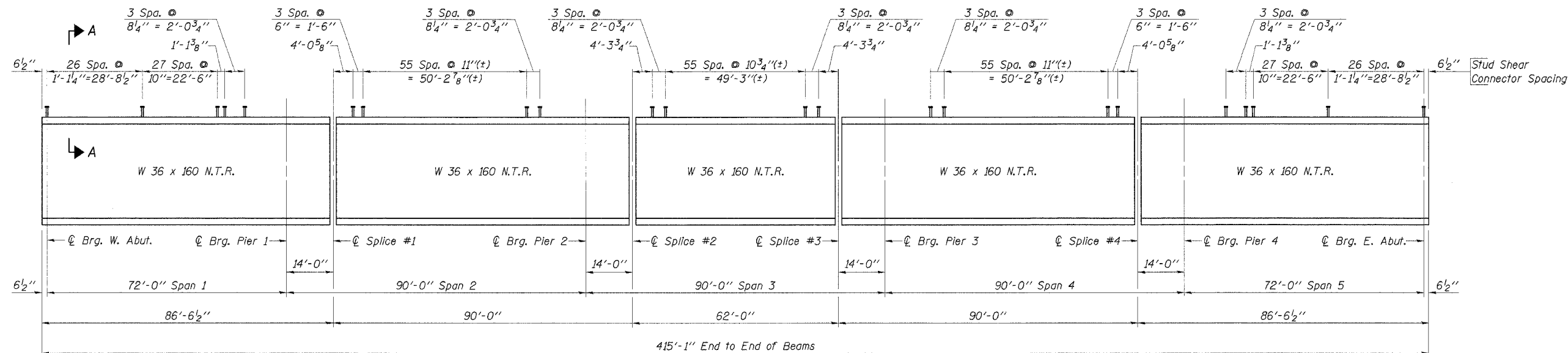


ROUTE NO.	SECTION	COUNTY	TOTAL SHEETS	SHEET NO.
FAS 429	94-00087	HANCOCK	43	17
C.H. 23	-00-BR			
ROAD DIST.	ILLINOIS			

Contract No. 93401
Sheet 11 of 20



FRAMING PLAN

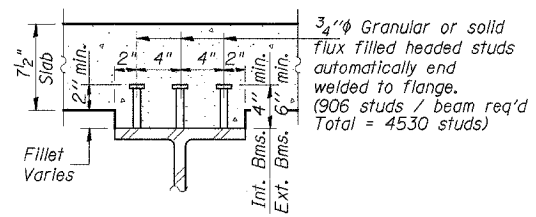


ELEVATION

N.T.R. denotes sections to which notch toughness requirements are applicable.

TOP OF BEAM ELEVATIONS
(For fabrication only)

	Beam 1 or 5	Beam 2 or 4	Beam 3
⊖ Brg. W. Abut.	562.98	563.25	563.34
⊖ Brg. Pier 1	562.98	563.25	563.34
Splice #1	562.98	563.25	563.34
⊖ Brg. Pier 2	562.98	563.25	563.34
Splice #2	562.98	563.25	563.34
Splice #3	562.98	563.25	563.34
⊖ Brg. Pier 3	562.98	563.25	563.34
Splice #4	562.98	563.25	563.34
⊖ Brg. Pier 4	562.98	563.25	563.34
⊖ Brg. E. Abut.	562.98	563.25	563.34



SECTION A-A

Typical Shear Connector Detail

DESIGNED	A.R.K.
CHECKED	S.F.M., F.J.S.
DRAWN	S.A.P.
CHECKED	A.R.K., F.J.S.

STRUCTURAL STEEL

SECTION 94-00087-00-BR
COUNTY HIGHWAY 23 - FAS ROUTE 429
HANCOCK COUNTY
STA. 313+34

4440 ASH GROVE SPRINGFIELD, ILL. 62711 (217) 783-8600 oasinc@farmvid.com	OZYURT AND STONE, INC. CONSULTING ENGINEERS	JOB NO.: 0319 FILE: 0319STEEL.DGN DATE: 08/24/05
---	---	--