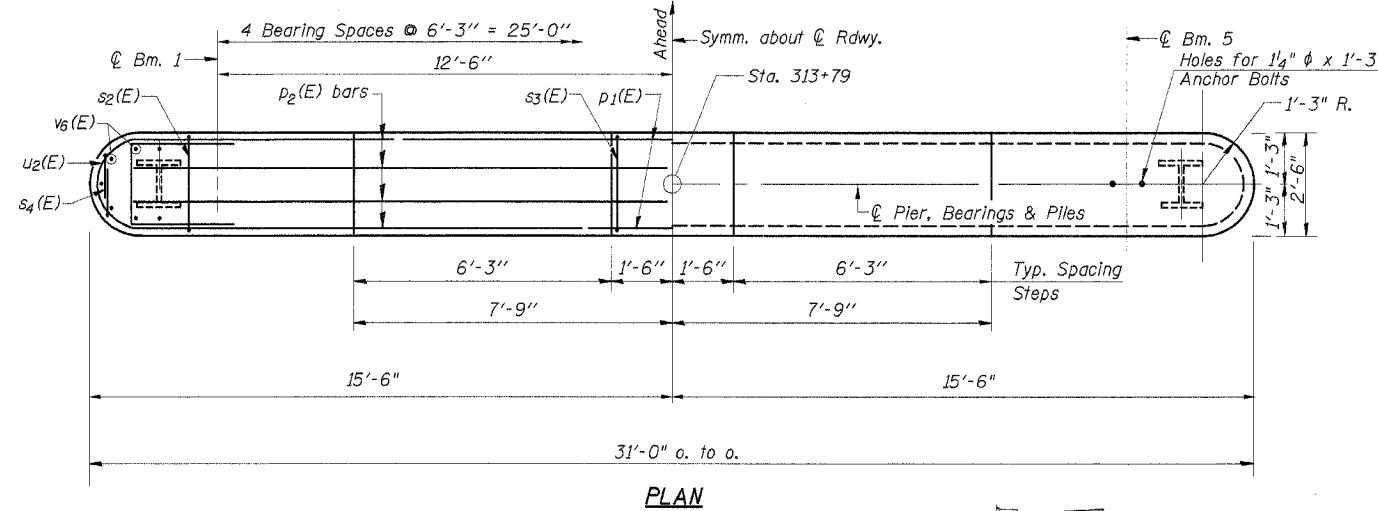
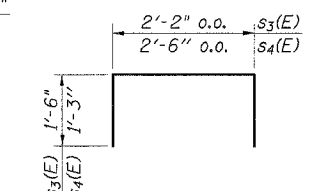


ROUTE NO.	SECTION	COUNTY	TOTAL SHEETS	SHEET NO.
FAS 429	94-00087	HANCOCK	43	25
C.H. 23	-00-BR			
ROAD DIST.	ILLINOIS			

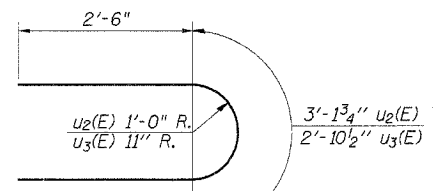
Contract No. 93401
Sheet 19 of 20



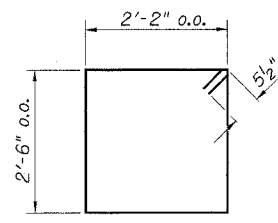
PLAN



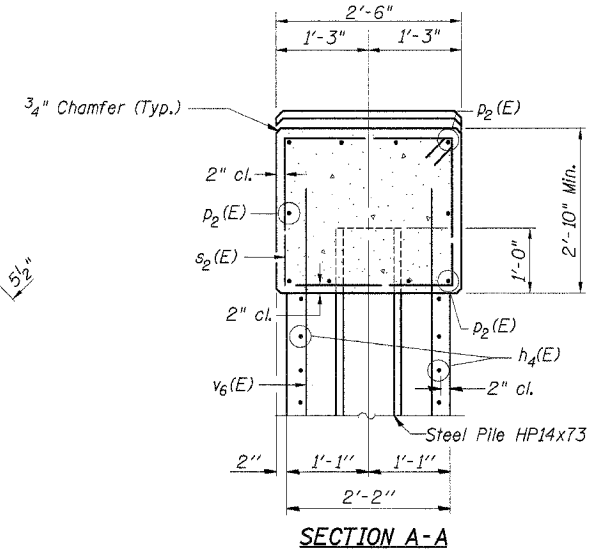
BAR s3(E) or s4(E)



BAR u2(E) & u3(E)



BAR s2(E)



SECTION A-A

NOTES

- Space Reinforcement in cap to miss Anchor Bolts.
- Pour Steps monolithically with cap.
- All edges shall have the standard 3/4" Chamfer except as noted.
- Anchor Bolts at fixed bearings may be built into the masonry.

MIN. BAR LAP

- #5 1'-4"
- #6 1'-7"

BILL OF MATERIAL

BAR	NO.	SIZE	LENGTH	SHAPE
h4(E)	26	#5	26'-4"	—
p1(E)	2	#5	2'-8"	—
p2(E)	10	#6	26'-8"	—
s2(E)	24	#5	10'-3"	□
s3(E)	4	#4	5'-2"	□
s4(E)	4	#5	5'-0"	□
u2(E)	6	#6	8'-2"	U
u3(E)	26	#5	7'-11"	U
v6(E)	68	#5	14'-0"	—

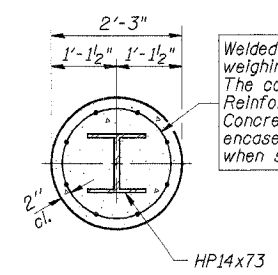
Concrete Structures	Cu. Yd.	38.8
Reinforcement Bars, Epoxy Coated	Pound	2,690
Steel Piles HP14x73	Foot	544
Test Piles Steel HP14x73	Each	1
Underwater Structure Excavation Protection - Location 3	Each	1
Structure Excavation	Cu. Yd.	55
Concrete Encasement	Cu. Yd.	14.6

PILE DATA

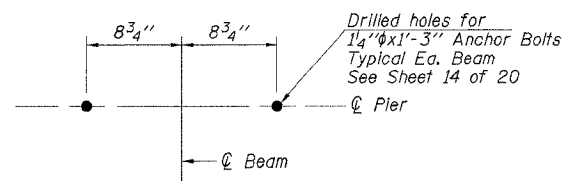
Type: Steel HP14x73
Capacity: Design-54 Ton/Pile
Drive-81 Ton/Pile
Est. Length: 68 Ft./Pile
No. Required: 9*

* Includes 1 Test Pile to be driven to 122 Ton/Pile in a permanent location.

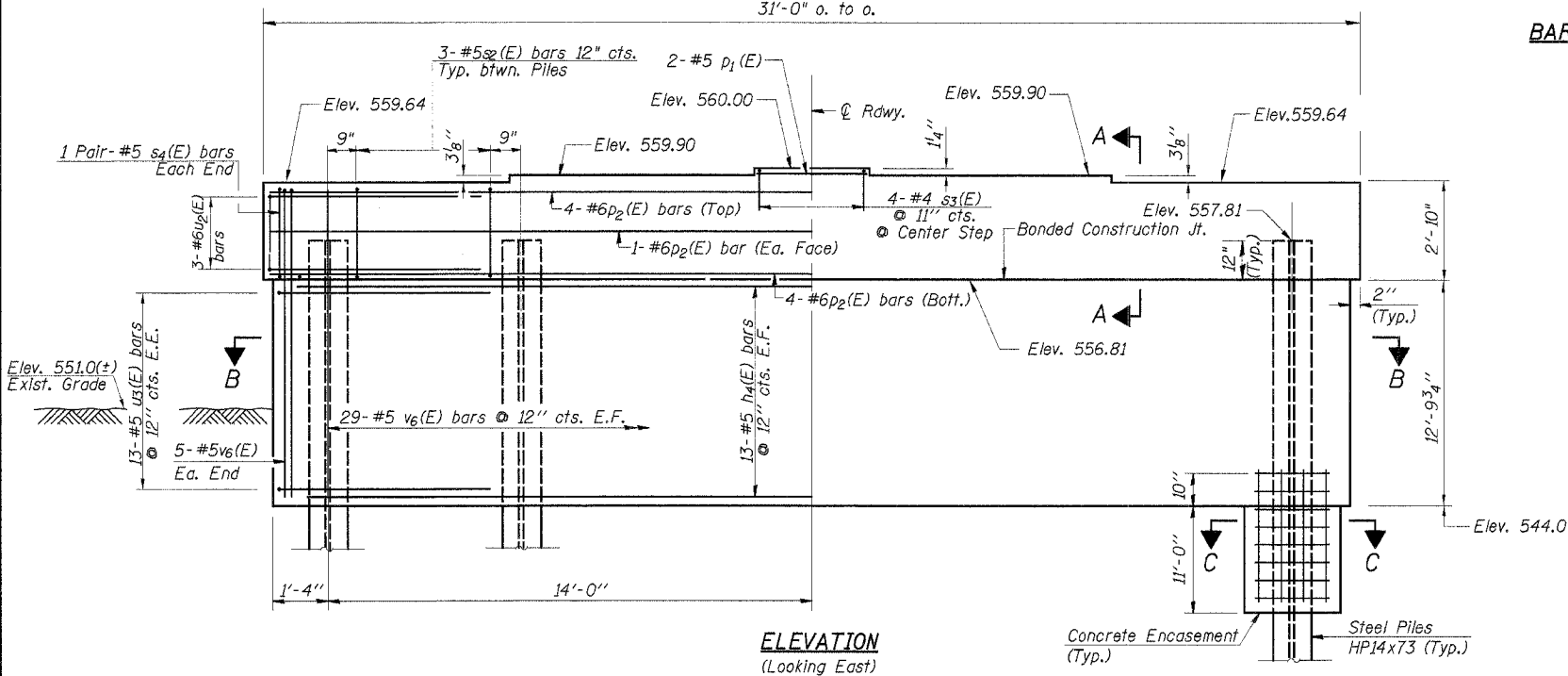
Welded wire fabric 6x6-W4.0xW4.0 weighing 58#/100 sq. ft. The cost of Excavation and Reinforcement is included with Concrete Encasement. Forms for encasement may be omitted when soil conditions will permit.



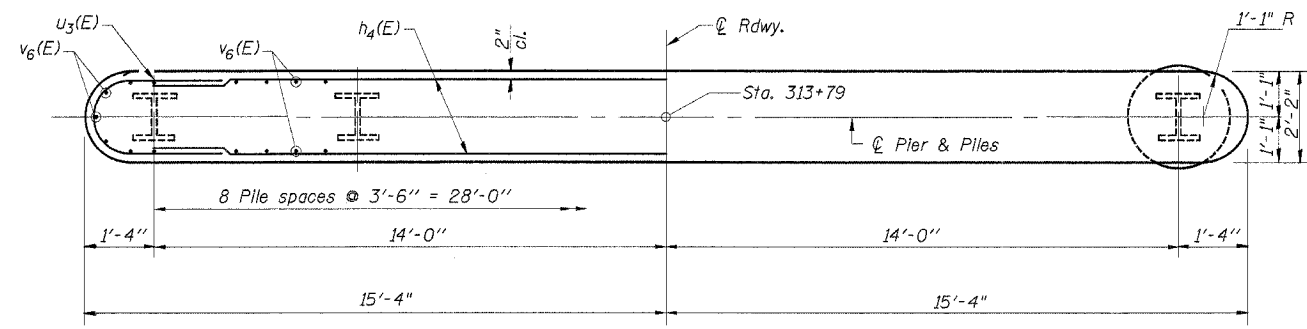
SECTION C-C



ANCHOR BOLT HOLES



ELEVATION (Looking East)



SECTION B-B

DESIGNED	A.R.K.
CHECKED	S.F.M., F.J.S.
DRAWN	S.A.P.
CHECKED	A.R.K., F.J.S.

PIER 3

SECTION 94-00087-00-BR
COUNTY HIGHWAY 23 - FAS ROUTE 429
HANCOCK COUNTY
STA. 313+34

4440 ASH GROVE SPRINGFIELD, IL 62711 (217) 793-8600 oasinc@famvid.com	OZYURT AND STONE, INC. CONSULTING ENGINEERS	JOB NO.: 0319 FILE: 0319PIER3.DGN DATE: 10/12/05
--	---	--