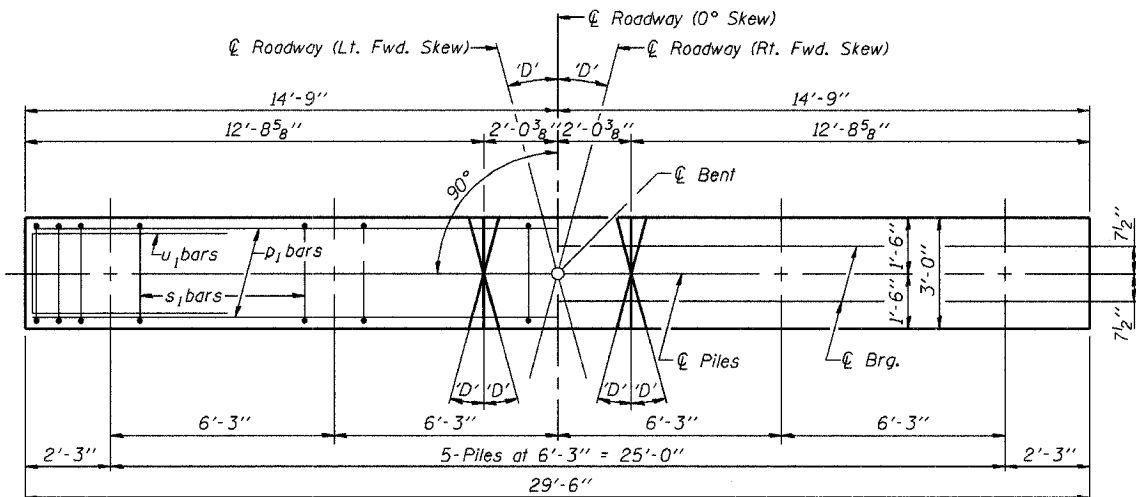
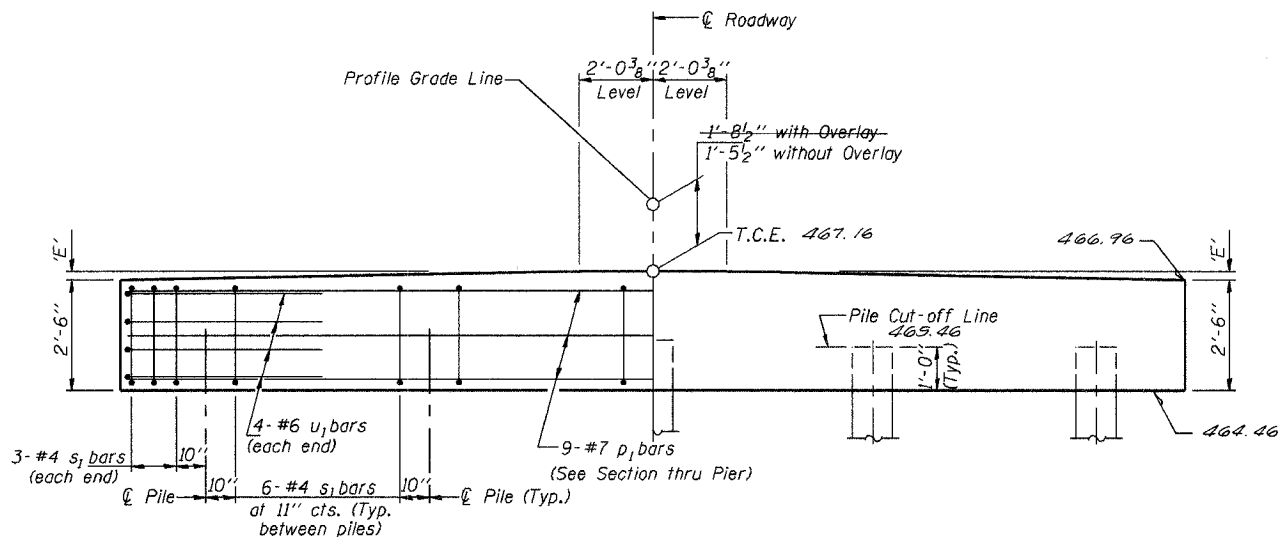


F.A.S. SHEET NO.	SECTION	COUNTY	TOTAL SHEETS	SHEET
	05-0214-00-8E	CRAWFORD	11	8
STA.	TO STA.			
FED. ROAD DIST. NO.	ILLINOIS	PROJECT		



**PLAN**  
(D' = Designated Skew Angle)



**ELEVATION**

**DIMENSION 'E'**

GRADE	'D'=0°		'D'=5°		'D'=10°	
	UPGRADE END	DOWNGRADE END	UPGRADE END	DOWNGRADE END	UPGRADE END	DOWNGRADE END
0%	2 3/8"	2 3/8"	2 3/8"	2 3/8"	2 3/8"	2 3/8"
Over 0% to 1%	2 3/8"	2 3/8"	2 1/4"	2 3/8"	2 1/8"	2 1/2"
Over 1% to 2%	2 3/8"	2 3/8"	2 1/8"	2 1/2"	1 7/8"	2 3/4"
Over 2% to 3%	2 3/8"	2 3/8"	2"	2 5/8"	1 5/8"	3"
Over 3% to 4%	2 3/8"	2 3/8"	1 7/8"	2 3/4"	1 3/8"	3 1/4"

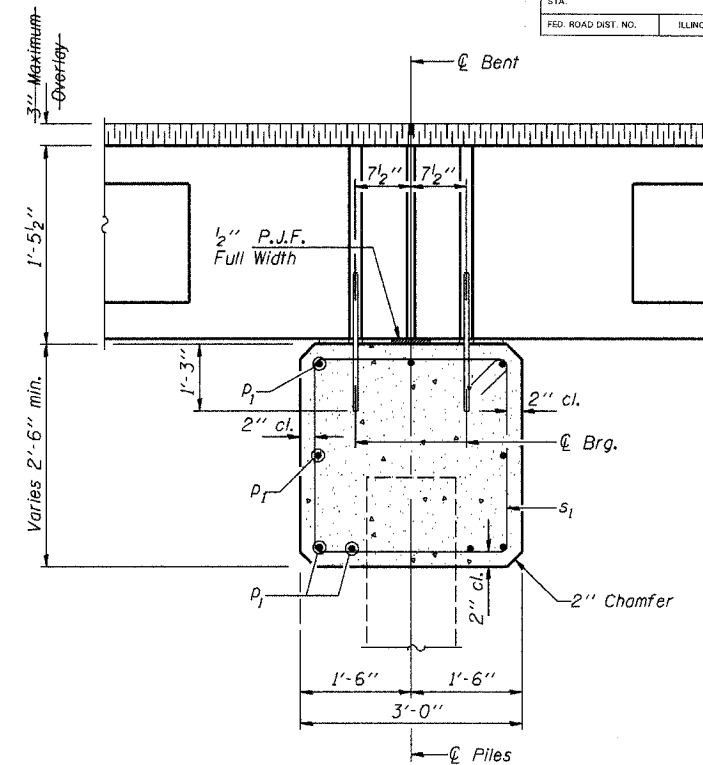
**MAXIMUM PILE LOADS**

SPAN	TONS
25'	30
30'	33
35'	36
40'	40

Longer of Either Span Supported by Pier.

**DESIGN STRESSES**

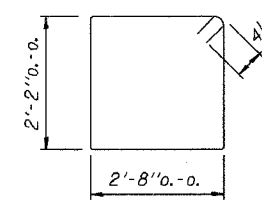
f'c = 3,500 psi  
fy = 60,000 psi



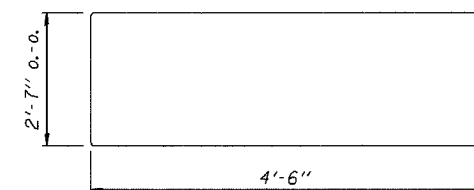
**SECTION THRU PIER**  
(At Right Angles)

**BILL OF MATERIAL FOR ONE PIER**

Bar	No.	Size	Length	Shape
p1	9	#7	29'-2"	—
s1	30	#4	10'-5"	□
u1	8	#6	11'-7"	□
Concrete Structures				8.6 Cu. Yds.
Reinforcement Bars				880 Lb.



**BAR s1**



**BAR u1**

**NOTE**

Reinforcement bars shall conform to the requirements of A.A.S.H.T.O. M-31 or M-322, Grade 60.

**P.P.C. DECK BEAMS  
PILE BENT PIER**

28' RDWY. | 17" BMS. | 'D'=0°, 5° OR 10°

STANDARD CP-2817-10

Illinois Department of Transportation

PASSED APRIL 4, 2005  
Thomas J. Nims (Signature)  
Engineer of Bridge Design

APPROVED APRIL 4, 2005  
Robert E. Anderson (Signature)  
Engineer of Bridges and Structures

10661-1-1 03/05/05