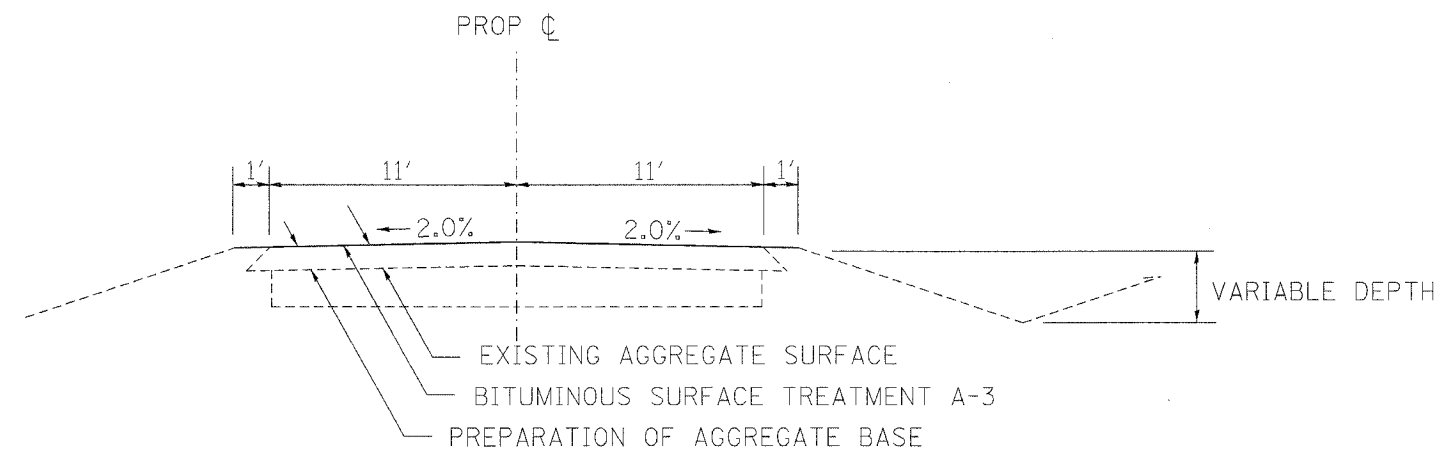
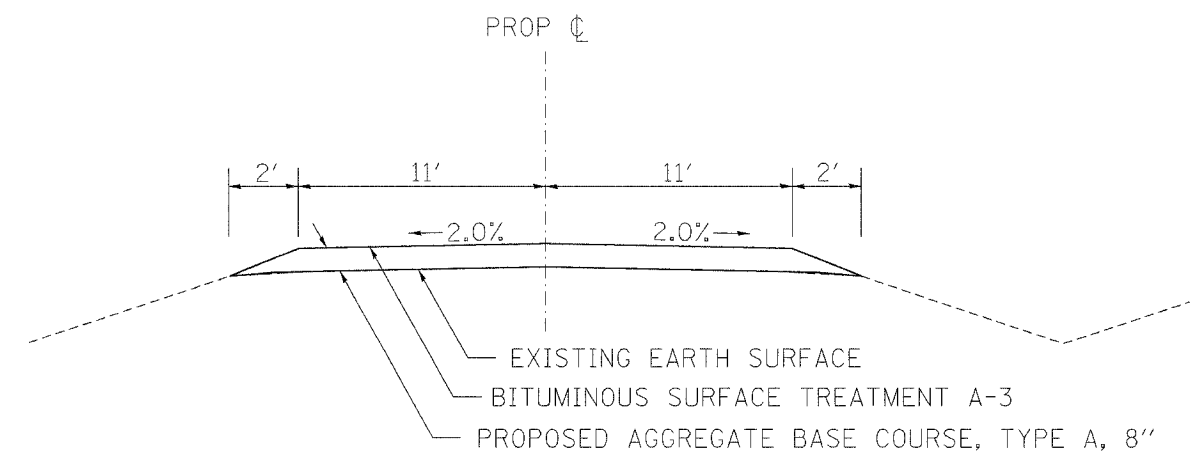


F.A.P. RTE.	SECTION	COUNTY	TOTAL SHEETS	SHEET NO.
*	**	SALINE	119	7A
STA.		TO STA.		
FED. ROAD DIST. NO.	ILLINOIS	FED. AID PROJECT		

•SAHARA WOODS SFWA CONTRACT NO. 98834
 •INTERNAL PARK ROADS - SFWA



TO BE USED: HAULAGE RD-STA 374+78.82 TO STA 384+06.97



TO BE USED: SHOOTING RANGE RD. - STA 600+00 TO STA 627+71