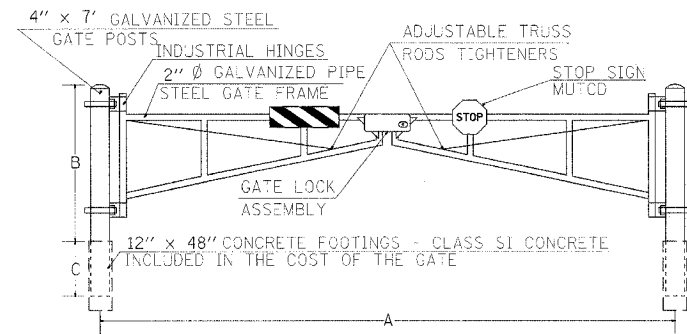
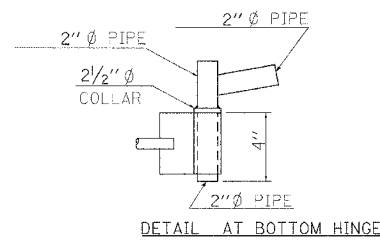
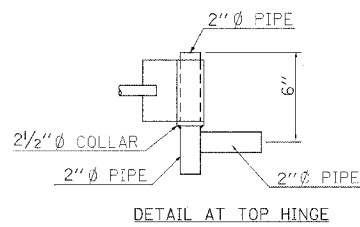
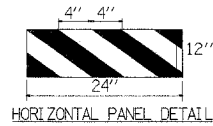
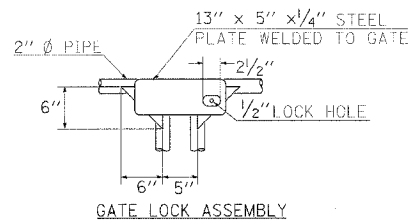
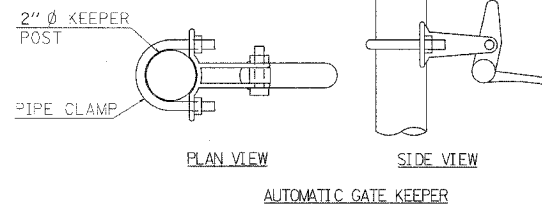
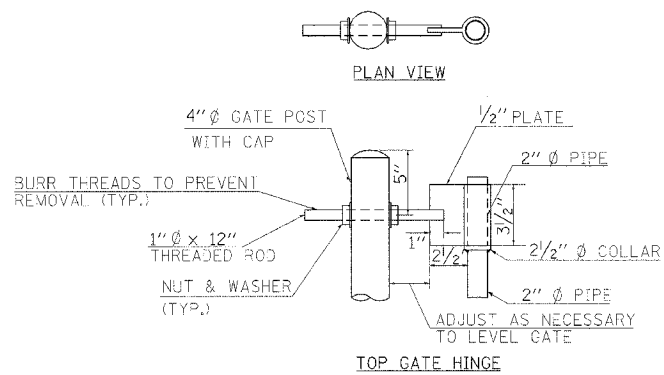
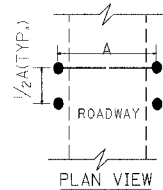


GATE DETAILS



LOCATIONS	A	B	C
TIPPLE RD. ENTRANCE - STA. 107.04	34	4	3
ENTRANCE - STA. 108+53	34	4	3
LAKE RD. STA. 16+82.53	34	4	3
SHAY RD. STA. 531+00	34	4	3
SHOOTING RANGE RD. STA. 626+90	34	4	3

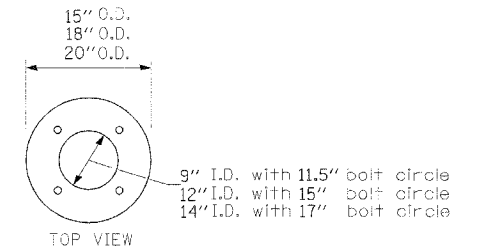


LIGHT POLE FOUNDATION

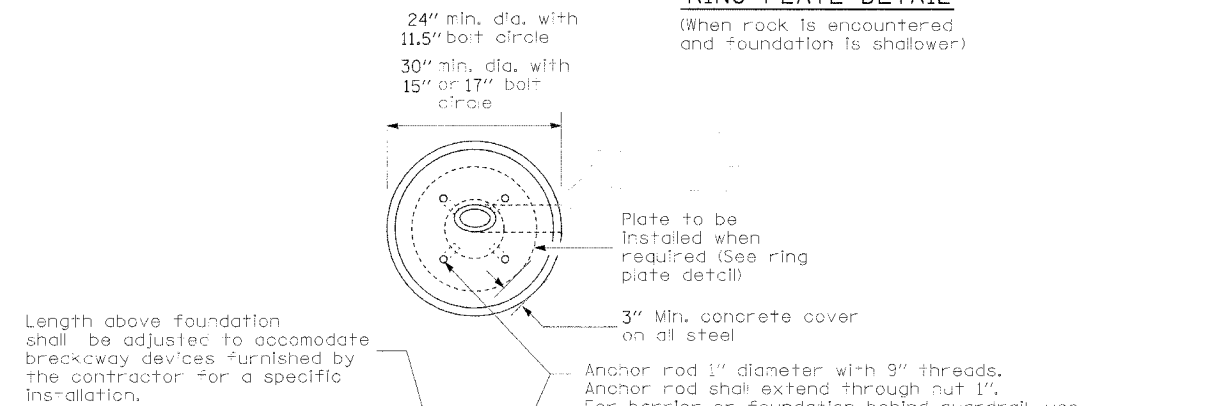
F.A.P. RTE.	SECTION	COUNTY	TOTAL SHEETS	SHEET NO.
*	**	SALINE	119	50
STA.	TO STA.			
FED. ROAD DIST. NO.	ILLINOIS	FED. AID PROJECT		

SAHARA WOODS SFWA CONTRACT NO. 98834
INTERNAL PARK ROADS - SFWA

LIGHT POLE MOUNTING HEIGHT	CONCRETE FOUNDATION			
	BOLT CIRCLE DIAMETER	SHAFT DIAMETER	SHAFT DEPTH	ANCHOR ROD LENGTH
≤ 30'	11.5"	24"	5'-0"	4'-9"
31'-35'	11.5"	24"	5'-6"	5'-3"
36'-40'	15"	30"	6'-0"	5'-9"
41'-45'	15"	30"	6'-6"	6'-3"
46'-50'	15"	30"	7'-0"	6'-9"



RING PLATE DETAIL
(When rock is encountered and foundation is shallower)



Use dirt removed from foundation to meet 5' chord fill around foundation top. Grade dirt level with bottom of concrete chamfer.

5" I.D. P.V.C. wireway window. Fill with fine aggregate

6" min.

Cast bronze clamp
3/8"x10' Copper clad grounding electrode. When foundation is set in rock, install ground electrode in cable trench.

- Notes:
- All foundations are designed to be located on slopes not exceeding 2:1 where soils have an unconfined compressive strength of at least 1.0 TSF. The contractor shall verify the soil strength during drilling for concrete foundations or by monitoring installation resistance on steel foundations and notify the engineer if other conditions are encountered.
 - Length does not include 4" hook
 - If the required anchor rod length above top of foundation is less than 3", anchor rods may be lowered below 6"