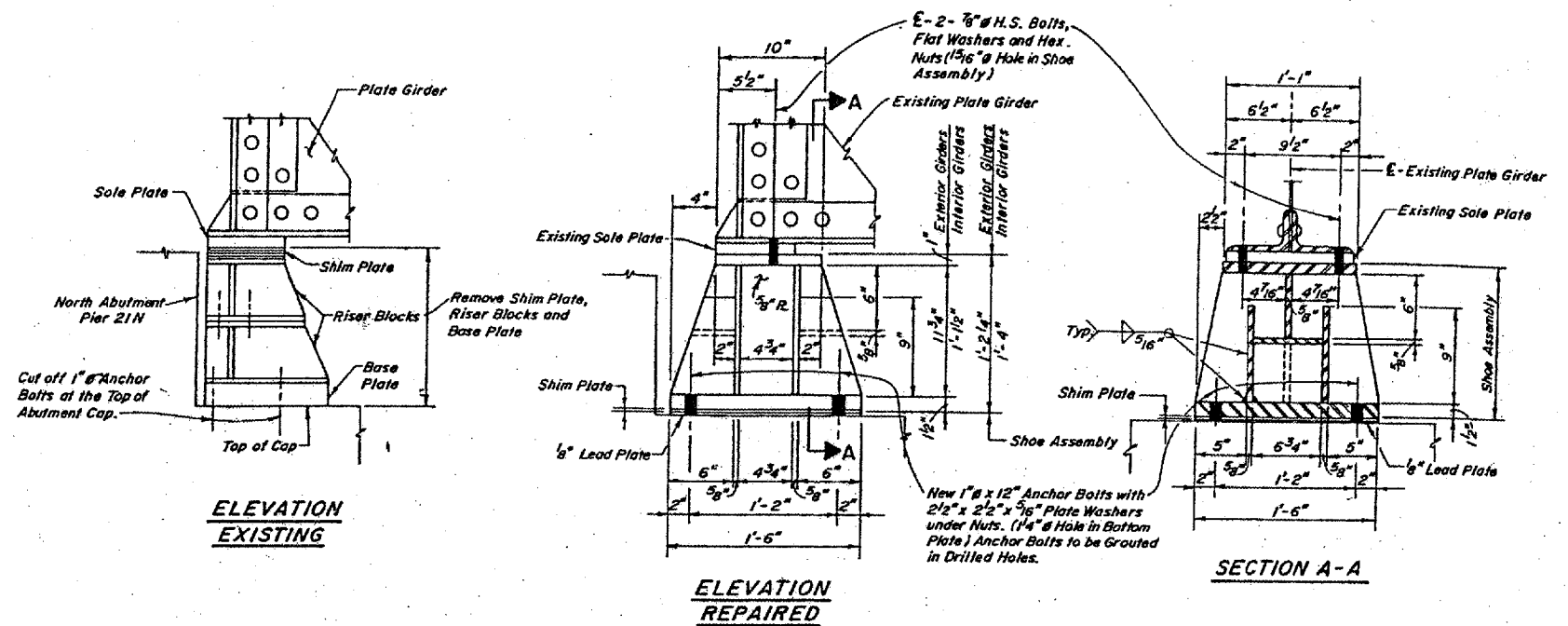


AT EXTERIOR ANCHOR BOLTS
DETAIL "7"

AT INTERIOR ANCHOR BOLTS
DETAIL "8"

PLAN

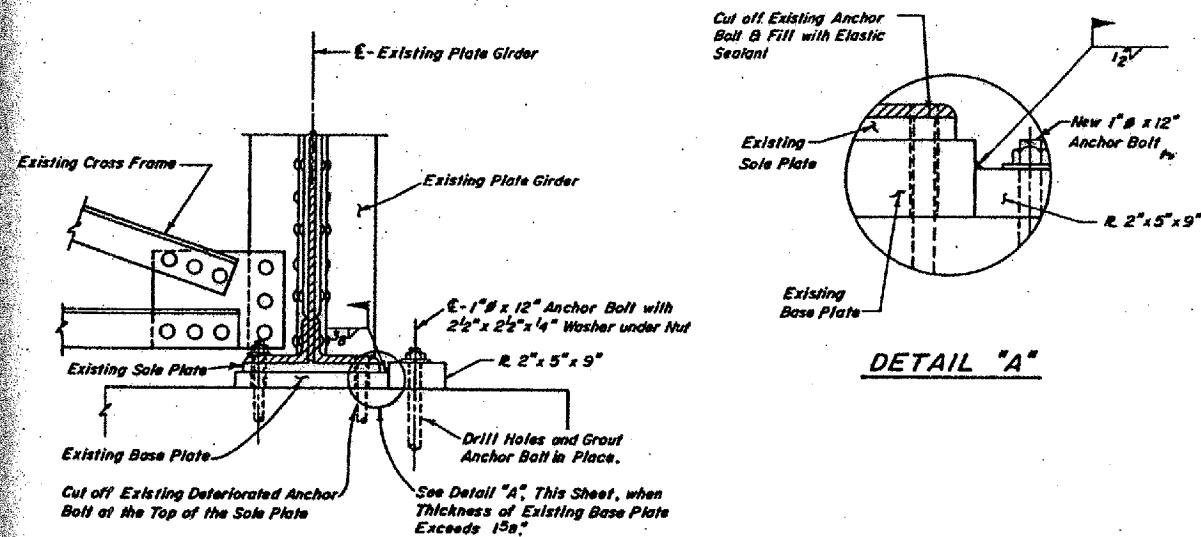


ELEVATION
EXISTING

ELEVATION
REPAIRED

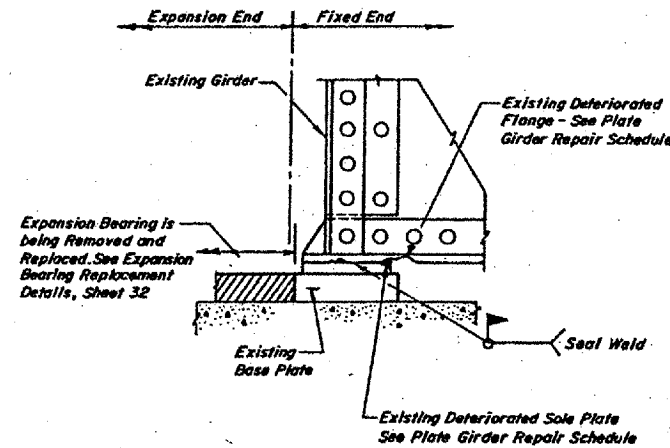
SECTION A-A

ABUTMENT BEARING REPLACEMENT DETAILS



TYPICAL ELEVATION
(SHOWN AT EXTERIOR ANCHOR BOLT,
INTERIOR ANCHOR BOLT SIMILAR.)

ANCHOR BOLT REPLACEMENT DETAILS "7" AND "8"
(AT FIXED BEARING)



ELEVATION
FIXED BEARING REPAIR DETAILS

BILL OF MATERIAL

DESCRIPTION	UNIT	NUMBER OF LOCATIONS OCCURRING		
		ILLINOIS SPANS	MISSOURI SPANS	TOTAL
Interior Anchor Bolt Replacement	Each	3	3	6
Exterior Anchor Bolt Replacement	Each	4	9	13
Fixed Bearing Repair	Each	80	52	132
Abutment Bearing Replacement	Each	4	0	4

DESIGNED	J. J. J.
CHECKED	R. E. C.
DRAWN	J. J. J.
CHECKED	R. E. C. - R. S.

BRIDGE NO. 1
STRUCTURE 002-0005
FOR INFORMATION ONLY

APPROACH SPANS - GIRDERS
FIXED BEARING REHABILITATION
F.A.U.S. Rte. 9811 (U.S. 60 & 62)
S.B.I. 150 SECTION 138D-BR
ALEXANDER CO., IL. MISSISSIPPI CO., MO.
STATION 28+13.08